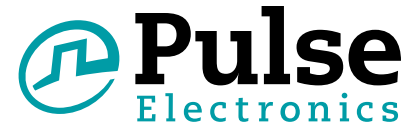


PulseJack™

1X1 Tab-Up RJ45

100 Base-TX RJ45 1X1 Tab-Up 8 pin Integrated Magnetics Connector, designed for industrial rated applications and is suitable for reflow solder mounting.



Features and Benefits:

- Ⓜ High Temperature rated parts designed for use in Pin-in-Paste processing with 260°C max reflow temperature
- Ⓜ Meets IEEE802.3 specification
- Ⓜ 350µH minimum OCL with 8mA DC bias current
- Ⓜ Extended Temperature range from -40°C to 85°C

Electrical Specifications @ 25°C - Operating Temperature -40°C to +85°C

| Part Number ¹ | EMI Fingers | LED (L/R) | Insertion Loss 1 - 65MHz (dB TYP) | Return Loss (dB TYP) | | | CCMR (dB TYP) | | Crosstalk (db TYP) | | | Hipot (Vrms) |
|--------------------------|-------------|-----------|---|-------------------------|-----------|----------------|------------------|-----------------|-----------------------|----------------|-----------------|-----------------|
| | | | | 1 - 10 MHz | 30 MHz | 60 - 80 MHz | 1 - 50 MHz | 50 - 130 MHz | 1 - 10 MHz | 30 - 60 MHz | 60 - 100 MHz | |
| JXR1-0001NL | YES | - | -1.0 | -20 | -16 | -10 | -30 | -20 | -40 | -35 | -30 | 1500 |
| JXR1-0005NL | NO | - | -1.0 | -20 | -16 | -10 | -30 | -20 | -40 | -35 | -30 | 1500 |
| JXR1-0011NL | YES | G/Y | -1.0 | -20 | -16 | -10 | -30 | -20 | -40 | -35 | -30 | 1500 |
| JXR1-0015NL | NO | G/Y | -1.0 | -20 | -16 | -10 | -30 | -20 | -40 | -35 | -30 | 1500 |

Notes:

1. When ordering JXR0-0011NL supplied in **Tape and Reel**, please add a "T" on the end of the part code - e.g. JXR1-0011NL becomes JXR1-0011NL.T
2. Maximum Reflow Solder Temperature: 2x SRP 260°C for 5 seconds with LEDs and 2x SRP 260°C for 10 seconds without LEDs

RJ45 Durability Testing Rating

| Part Number | Mating Force (MAX) | Unmating Force (MAX) | Durability | Plug to Jack Retention (MIN) |
|---------------|-----------------------|-------------------------|----------------|---------------------------------|
| JXR1 - Series | 5 lbs./2.268 kgs. | 5 lbs./2.268 kgs. | 750 Insertions | 20 lbs./9.072 kgs. |

RJ45 Material Specification

| Part Number | Shield | | Contact | | | Housing | | MSL ² |
|---------------|----------|--|--------------------|--|---------------------------------|---------------|---------------|------------------|
| | Material | Finish | Material | Plating Area | Solder Area | Material | Specification | Rating |
| JXR1 - Series | Brass | 10-20m inches Nickel over 10-20m inches Brass | Phosphor Bronze | Nickel underplating and selective gold plating 30µ inches | Matte Tin finish over Nickel | Thermoplastic | UL 94 V-0 | 1 |

Notes: 1. Connector dimensions comply with FCC dimension requirements. 2. MSL = Moisture Sensitivity Level rating from 1 to 5 (highest rating = 1, lowest rating = 5).

PulseJack™ 1X1 Tab-Up RJ45



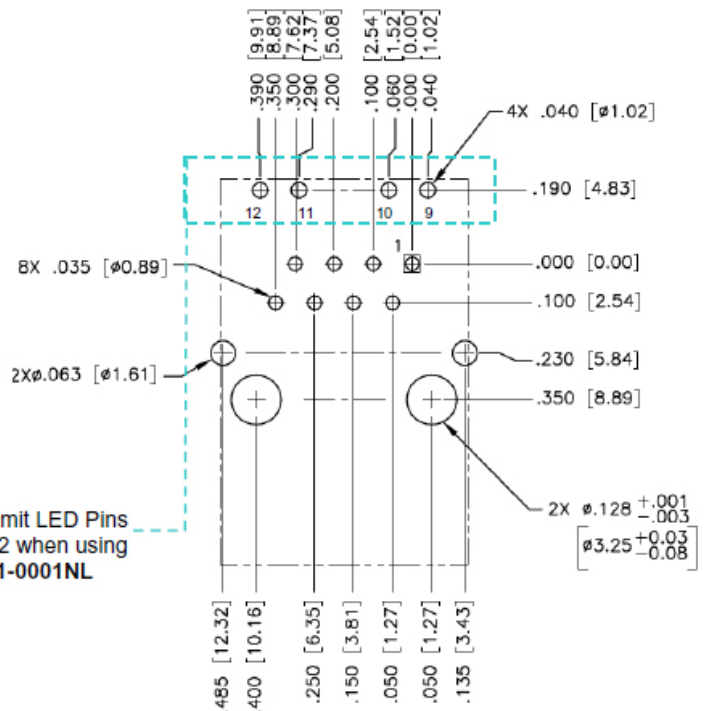
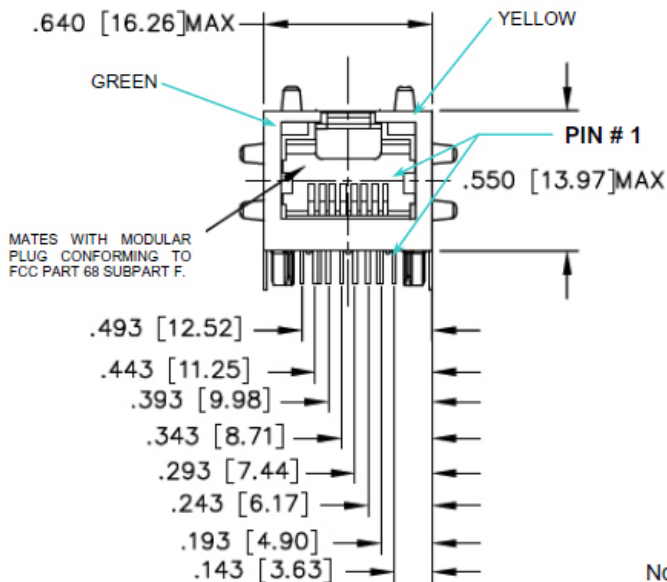
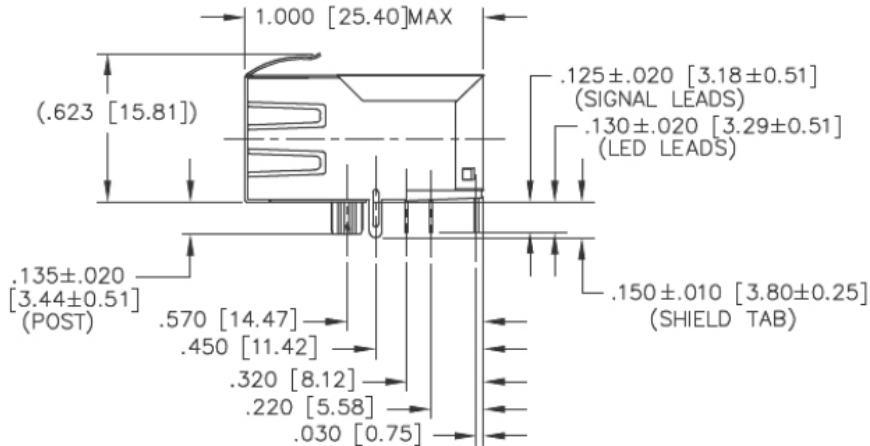
100 Base-TX RJ45 1X1 Tab-Up 8 pin Integrated Magnetics Connector, designed for industrial rated applications and is suitable for reflow solder mounting.

Mechanicals

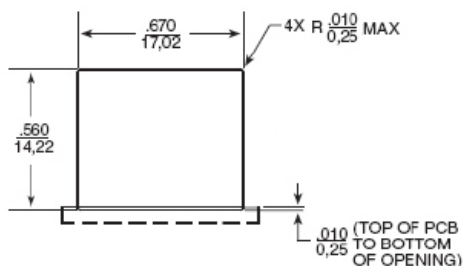
JXR1-0001/JXR1-0011NL

Dimensions: $\frac{\text{Inches}}{\text{mm}}$

Unless otherwise specified, all tolerances are $\pm \frac{.010}{0,25}$



Note: Omit LED Pins #9 to #12 when using JXR1-0001NL



FACE VIEW

RECOMMENDED PANEL CUTOUT

RECOMMENDED PCB LAYOUT VIEWED FROM
COMPONENT SIDE

PCB LAYOUT DIMENSIONS REFERENCED TO PIN#1 AND
 $\pm .003$ UNLESS OTHERWISE SPECIFIED

J437.D (10/16)

PulseJack™ 1X1 Tab-Up RJ45

100 Base-TX RJ45 1X1 Tab-Up 8 pin Integrated Magnetics Connector, designed for industrial rated applications and is suitable for reflow solder mounting.

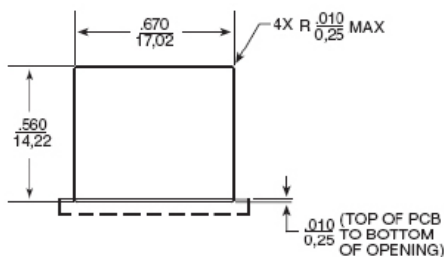
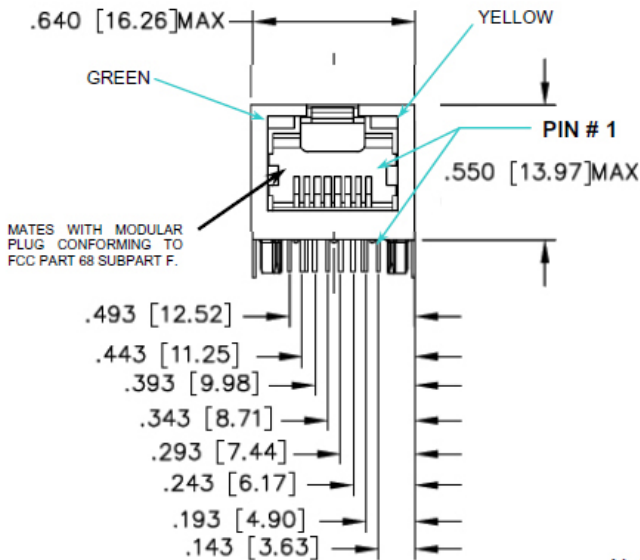
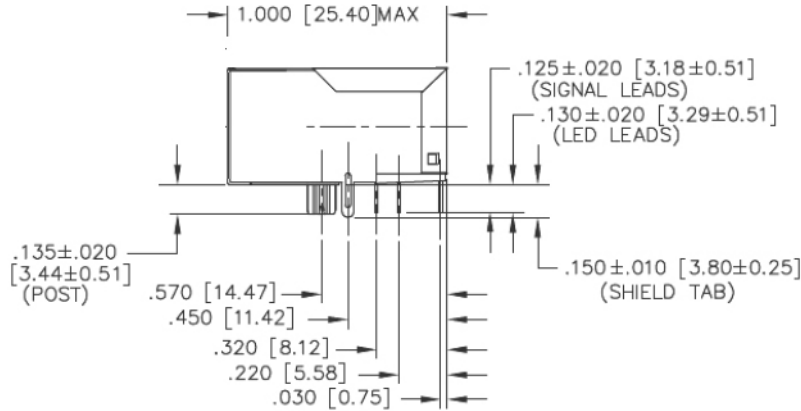


Mechanicals (continued)

JXR1-0005/JXR1-0015NL

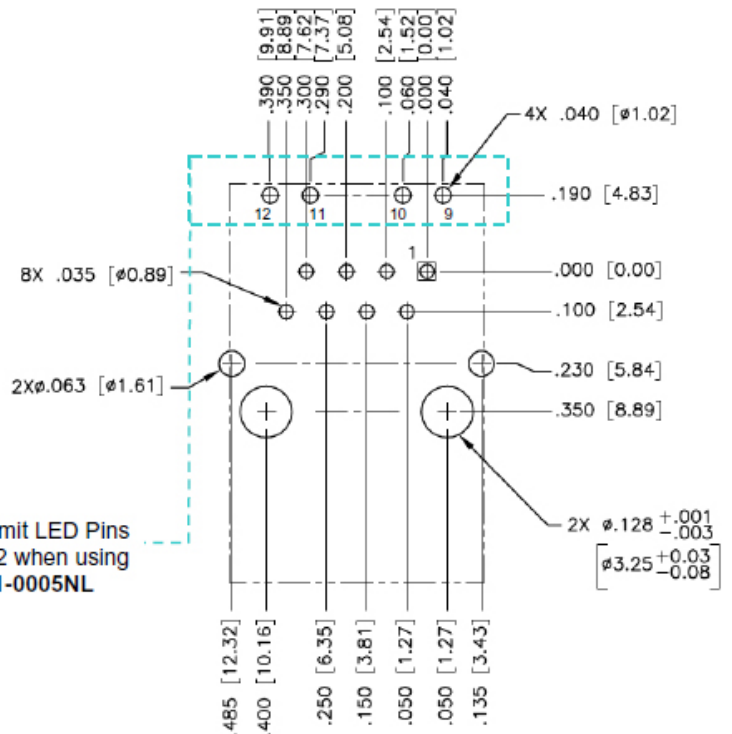
Dimensions: $\frac{\text{Inches}}{\text{mm}}$

Unless otherwise specified, all tolerances are $\pm \frac{.010}{0,25}$



FACE VIEW

RECOMMENDED PANEL CUTOUT



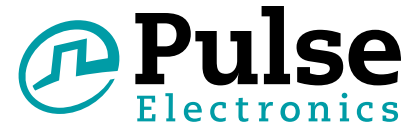
Note: Omit LED Pins #9 to #12 when using JXR1-0005NL

RECOMMENDED PCB LAYOUT VIEWED FROM COMPONENT SIDE

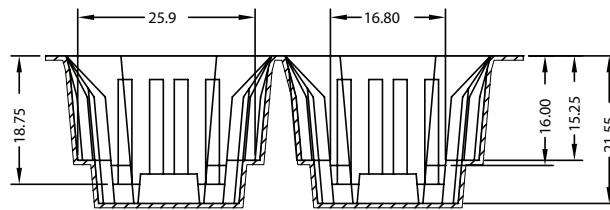
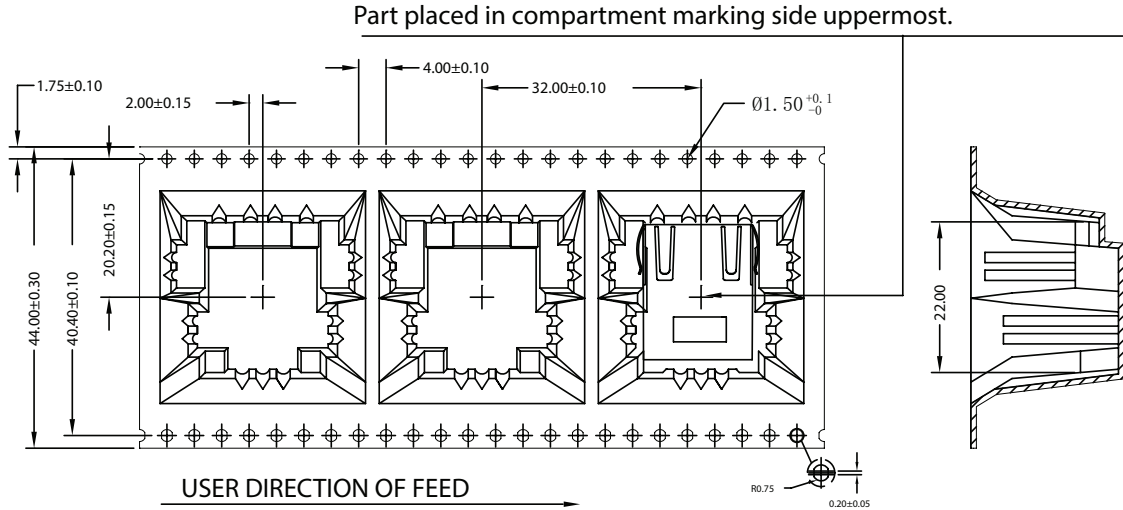
PCB LAYOUT DIMENSIONS REFERENCED TO PIN#1 AND ±.003 UNLESS OTHERWISE SPECIFIED

PulseJack™ 1X1 Tab-Up RJ45

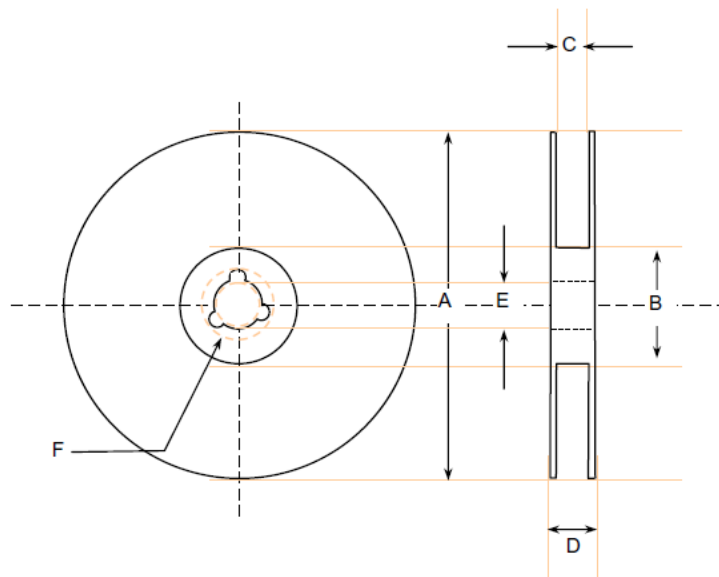
100 Base-TX RJ45 1X1 Tab-Up 8 pin Integrated Magnetics Connector, designed for industrial rated applications and is suitable for reflow solder mounting.



Tape and Reel Specification



Dimensions: given in mm
Unless otherwise specified, all tolerances are ± 0.15



PACKING SPECIFICATION:

- JXR1-00xxNLT = TAPE and REEL80 parts/reel
- JXR1-00x1NL = TUBE25 parts
- JXR1-00x5NL = TUBE30 parts

REEL SPECIFICATION in mm

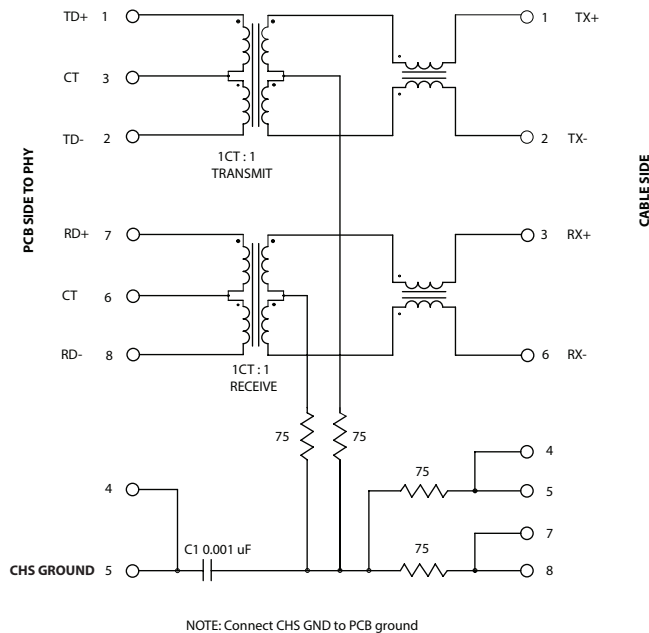
- A = $\text{Ø } 360.0 \pm 2.0$
- B = $\text{Ø } 100.0 \pm 0.5$
- C = $\text{Ø } 45.4 \pm 1.0$
- D = $\text{Ø } 50.4 \pm 1.0$
- E = $\text{Ø } 13.1 \pm 0.3$
- F = $\text{Ø } 21.0 \pm 0.5$

PulseJack™

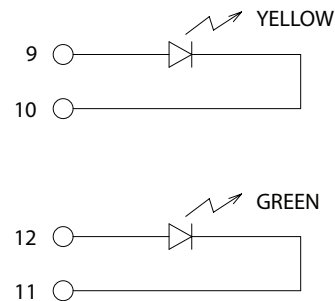
1X1 Tab-Up RJ45

100 Base-TX RJ45 1X1 Tab-Up 8 pin Integrated Magnetics Connector, designed for industrial rated applications and is suitable for reflow solder mounting

Electrical Schematic



LED Specification



| Emitted Color | Green | Yellow |
|-------------------------------|------------------------|-------------------------|
| Wavelength (nm) | 585 nm | 2.1 V |
| Brightness (mCD) | 8 to 12 TYP. @ 20mA | 8 to 12 TYP. @ 20 mA |
| Viewing Angle | 100° | 100° |
| Power Dissipation (Pd) | 68 mW MAX | 68 mW MAX |
| DC Forward Current | 25 mA MAX | 30 mA MAX |
| Reverse Voltage (Vr) | 5.0 V MAX | 5.0 V MAX |

For More Information

Pulse Worldwide Headquarters
12220 World Trade Drive
San Diego, CA
92128
U.S.A.

Tel: 858 674 8100
Fax: 858 674 8262

Pulse Europe
Einsteinstrasse 1
D-71083 Herrenberg
Germany

Tel: 49 7032 78060
Fax: 49 7032 7806 135

Pulse China Headquarters
B402, Shenzhen Academy of
Aerospace Technol-
ogy Bldg.
10th Kejian Road
High-Tech Zone
Nanshan District
Shenzen, PR China
518057
Tel: 86 755 33966678
Fax: 86 755 33966700

Pulse North China
Room 2704/2705
Super Ocean Finance
Ctr.
2067 Yan An Road
West
Shanghai 200336
China
Tel: 86 21 62787060
Fax: 86 2162786973

Pulse South Asia
135 Joo Seng Road
#03-02
PM Industrial Bldg.
Singapore 368363
Tel: 65 6287 8998
Fax: 65 6287 8998

Pulse North Asia
3F, No. 198
Zhongyuan Road
Zhongli City
Taoyuan County 320
Taiwan R. O. C.
Tel: 886 3 4356768
Fax: 886 3 4356823 (Pulse)
Fax: 886 3 4356820 (FRE)

Performance warranty of products offered on this data sheet is limited to the parameters specified. Data is subject to change without notice. Other brand and product names mentioned herein may be trademarks or registered trademarks of their respective owners. © Copyright, 2014. Pulse Electronics, Inc. All rights reserved.