

THIS DRAWING AND THE INFORMATION SET FORTH HERE-ON ARE THE PROPERTY OF TYCO ELECTRONICS CORPORATION, AND ARE TO BE HELD IN TRUST AND CONFIDENCE. PUBLICATION, DUPLICATION, DISCLOSURE, OR USE FOR ANY PURPOSE NOT EXPRESSLY AUTHORIZED IN WRITING BY TYCO ELECTRONICS CORPORATION IS PROHIBITED.

REVISIONS			
LTR	DESCRIPTION	DATE	APPROVED
B	REVISED PER ECN T-19653	11/14/94	R. H.
C	PER ECO-10-020423	Oct/6/2010	M.HIGGY

NOTES:

1. THIS DRAWING IS FOR THE PURPOSE OF PACKAGING THE KIT COMPONENTS IN A SEALED PLASTIC BAG.
2. THE COMPONENTS LISTED HEREON ARE IDENTIFIED WITH THEIR INDIVIDUAL PART NUMBER.
3. REFER TO THE INDIVIDUAL COMPONENT DRAWING FOR CONFIGURATION DETAILS.
4. THE KIT PACKAGE IS IDENTIFIED WITH THE KIT NUMBER.
5. THIS KIT CONSISTS OF:


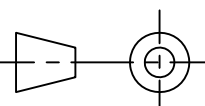
ITEM	COMPONENT DRAWING NUMBER	DESCRIPTION	QTY
1	MTC100-JH2-P32	2" HOUSING PLUG ASSY. CAD PL	1
2	MTC100-YA1-024	PIN INSERT, A1 4-WAY	1
3	MTC100-YB1-024	PIN INSERT, B1 4-WAY	1
4	MTC100-YA1-025	PIN INSERT, A2 4-WAY	1
5	MTC100-YB1-025	PIN INSERT, B2 4-WAY	1
6	CTA-0023-001	1" LEFT SHIELD RW TERMINATOR BUS/18 AWG	2
7	CTA-0023-002	1" RIGHT SHIELD RW TERMINATOR BUS/18 AWG	2
8	CTA-0035-03	SolderPack ASSY., Sn63/RMA, 10 SLEEVES	4

* THIS KIT IS DESIGNED FOR 18 AWG SHIELDED TRIAX CABLE.

If this document is printed it becomes uncontrolled. Check for the latest revision

CUSTOMER DRAWING

©2010 Tyco Electronics Corporation. All rights reserved.

UNLESS OTHERWISE SPECIFIED DIMENSIONS ARE IN INCHES. METRIC DIMENSIONS ARE IN BRACKETS. DECIMALS .XXX ± [— mm] .XX ± [— mm] ANGLES .X — ± — WEIGHT:	DRAWN ZS.O.	Oct/1/2010		Raychem Interconnect 300 Constitution Drive Menlo Park, CA 94025 U.S.A		
	CHECKED			TITLE		
	APPROVED			KIT, 2 INCH PLUG, 4-WAY PIN INSERTS AND SHIELD TERMINATOR-ROUND WIRE MTC100 SERIES		
	APPROVED	M.HIGGY	Oct/1/2010	CAD NAME		
	MTC100-KT2-0174		SIZE	CAGE CODE:	DWG. NO.	REV
	THIRD ANGLE PROJECTION 		A	06090	MTC100-KT2-0174	C
			SCALE: NONE		SHEET 1 OF 1	