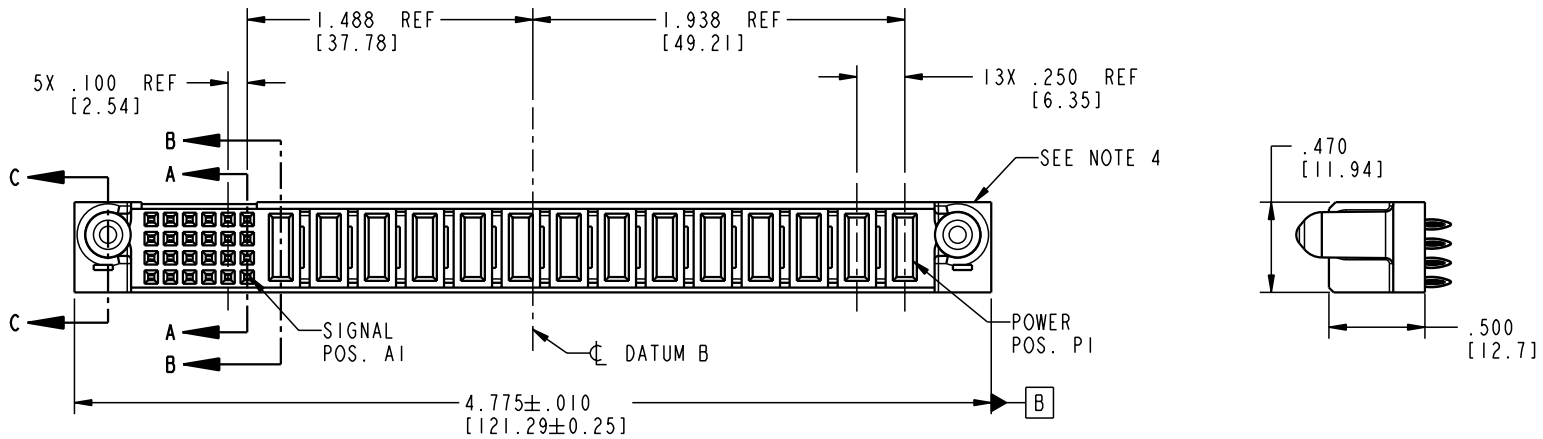


Tous droits strictement réservés. Reproduction ou communication o des liens interdite sous quelque forme que ce soit sans autorisation écrite du propriétaire. Propriété de c FCI. Droits de reproduction FCI.

All rights strictly reserved. Reproduction or issue to third parties in any form whatever is not permitted without written authority from the proprietor. Property of FCI. Copyright FCI.

PRODUCT NO.	ROWS	SIGNAL					POWER														E1				
		E2	6	5	4	3	2	1	P14	P13	P12	P11	P10	P9	P8	P7	P6	P5	P4	P3		P2	P1		
51940-087	D C B A		F	F	F	F	F	F	PC	PC	PC	PC	PC	PC	PC	PC	PC	PC	PC	PC	PC	PC	PC	PC	



CODE	DIM "M" MATING LENGTH	CONTACT TYPE
F	N/A [N/A]	SIGNAL
PC	.042 [1.07]	POWER

mat'l code				SEE NOTE 2		tolerances unless otherwise specified		CUSTOMER			
ltr	ecn no.	dr	date	linear	.XX±.01/0.X±0.3	projection		COPY		www.fciconnect.com	
A	V04-0324	TAB	03/30/04	angles	.XXX±.005/0.XX±0.13			title		I4P + 24S	
					.XXX±.0020/0.XXX±0.051	INCH/MM		product family		PwrBlade	
				dr	T. BRUNGARD 03/30/04	scale		size		code	
				engr	M. GRAY 03/30/04	1:1		dwg no		213	
				chr	M. GRAY 03/30/04			A		51940-087	
				appd	M. GRAY 03/30/04					sheet 1 of 4	
sheet index	revision sheet	A	A	A	A						
		1	2	3	4						

Pro/E

cage code 22526

PDM: Rev:A

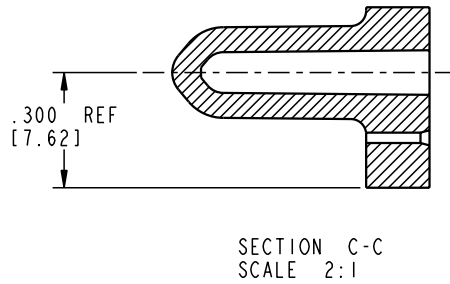
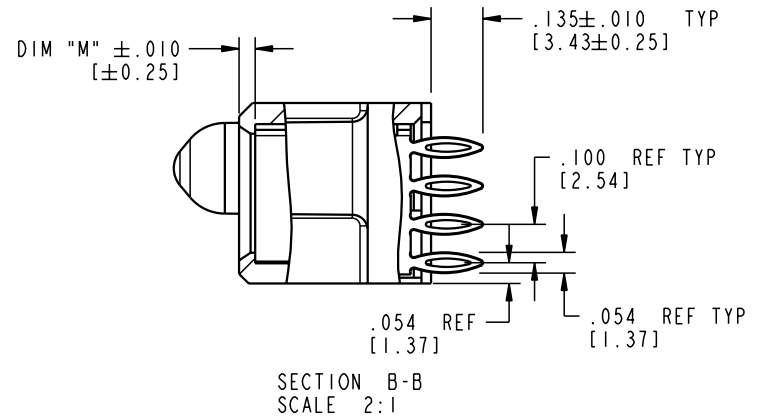
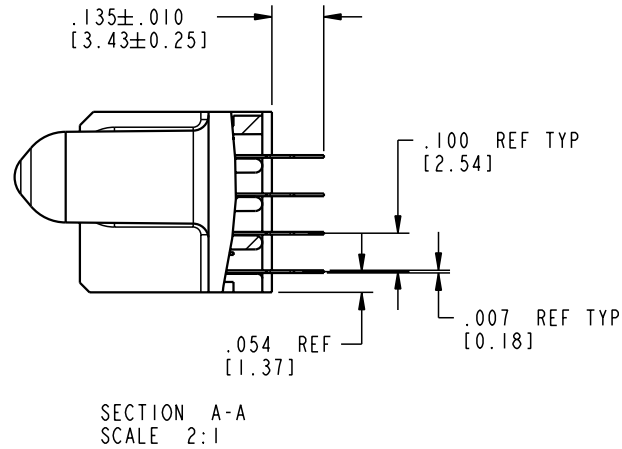
STATUS: Released

Printed: Dec 20, 2010

Tous droits strictement réservés. Reproduction ou communication a des tiers interdite sous quelque forme que ce soit sans autorisation écrite du propriétaire. Propriété de c FCI. Droits de reproduction FCI.

All rights strictly reserved. Reproduction or issue to third parties in any form whatever is not permitted without written authority from the proprietor. Property of FCI. Copyright FCI.

PRODUCT NUMBER
51940-087



mat'l code				SEE NOTE 2		tolerances unless otherwise specified		CUSTOMER		 www.fciconnect.com	
ltr	ecm no.	dr	date	linear	.XX±.01/0.X±0.3		COPY		 title 14P + 24S VERTICAL PRESS-FIT RECEIPT		
A					.XXX±.005/0.XX±0.13		projection				
				angles	.XXXX±.0020/0.XXX±0.051		 INCH/MM		product family PwrBlade code 213		
				dr	T. BRUNGARD	03/30/04	scale		size 51940-087 sheet 2 of 4		
				enr	M. GRAY	03/30/04	1:1				
				chr	M. GRAY	03/30/04					
				appd	M. GRAY	03/30/04					
sheet index		revision sheet								cage code 22526	

Pro/E

cage code 22526

PDM: Rev:A

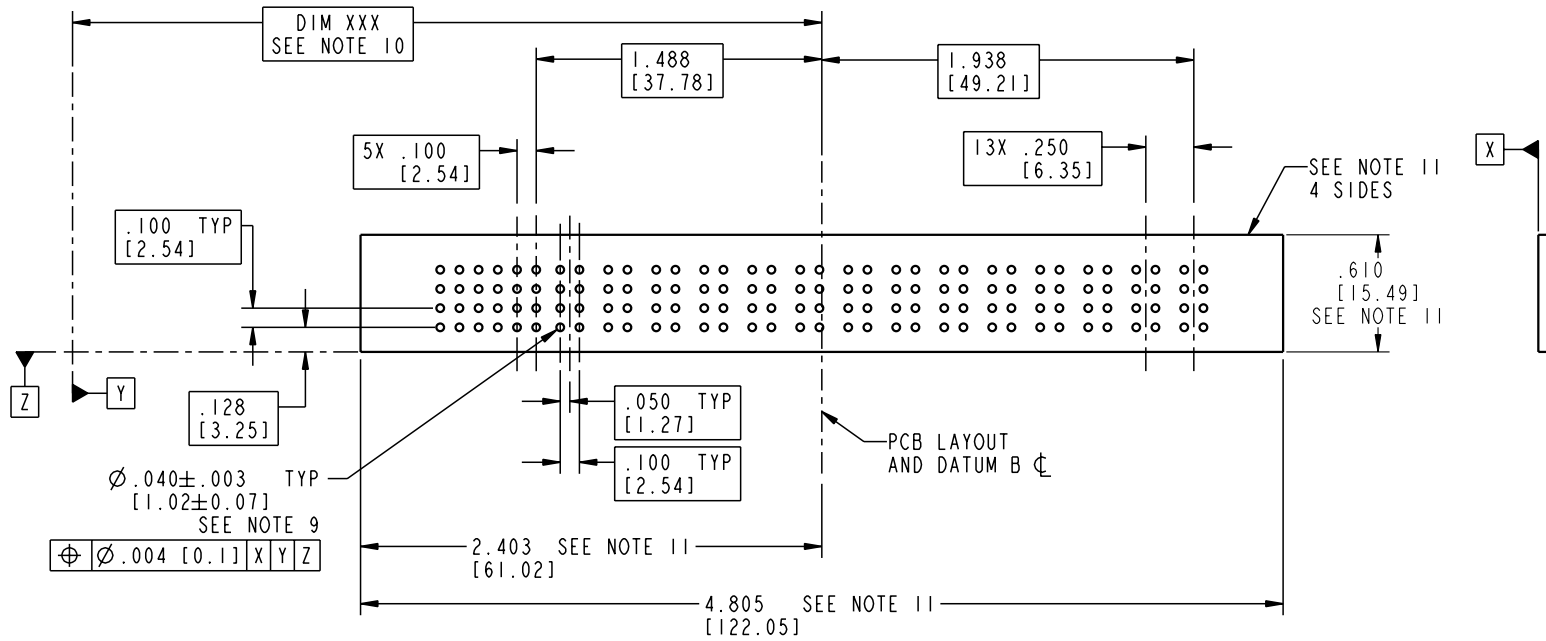
STATUS: Released


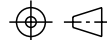
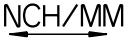

Printed: Dec 20, 2010

Tous droits strictement réservés. Reproduction ou communication o des tiers interdite sous quelque forme que ce soit sans autorisation écrite du propriétaire. Propriete de c FCI. Droits de reproduction FCI.

All rights strictly reserved. Reproduction or issue to third parties in any form whatever is not permitted without written authority from the proprietor. Property of FCI. Copyright FCI.

PRODUCT NUMBER
51940-087



mat'l code				SEE NOTE 2		tolerances unless otherwise specified		CUSTOMER		 www.fciconnect.com	
ltr	ecr no.	dr	date	linear	.XX±.01/0.X±0.3	projection	COPY		title		
A				angles	.XXX±.005/0.XX±0.13				14P + 24S		
				dr	.XXX±.0020/0.XXX±0.051			VERTICAL PRESS-FIT RECEPT		code	
				enr	0° ± 2°	T. BRUNGARD 03/30/04 M. GRAY 03/30/04 M. GRAY 03/30/04 M. GRAY 03/30/04		product family PwrBlade		sheet 213	
				chr		scale 1:1		size 51940-087		sheet 3 of 4	
				appd				A		cage code 22526	
sheet index	revision sheet										

Pro/E

cage code 22526

PDM: Rev:A

STATUS: Released

Printed: Dec 20, 2010

Tous droits strictement réservés. Reproduction ou communication o des tiers interdite sous quelque forme que ce soit sans autorisation écrite du propriétaire. Propriete de c FCI. Droits de reproduction FCI.

A
FCI

All rights strictly reserved. Reproduction or issue to third parties in any form, whatever is not permitted without written authority from the proprietor. Property of FCI. Copyright FCI.

B

PRODUCT NUMBER
51940-087

NOTES:

1. DIMENSIONS AND TOLERANCES ARE IN ACCORDANCE WITH ASME Y14.5M, 1994 UNLESS OTHERWISE SPECIFIED.

CONNECTOR NOTES:

2 HOUSING MATERIAL: UL 94 V-0 GLASS FILLED

HIGH-TEMP THERMOPLASTIC
POWER CONTACT MATERIAL: COPPER ALLOY
SIGNAL PIN MATERIAL: COPPER ALLOY

3. PLATING:
SIGNAL PINS: 30u"/0.76um Au OVER 50u"/1.27um Ni
POWER CONTACTS: 50u"/1.27um Ni UNDER ALL WITH 30u"/0.76um Au ON CONTACT AREA AND SnPb ON PCB INTERFACE

4 MANUFACTURER'S NAME, P/N, AND DATE CODE TO APPEAR ON THIS SURFACE.

5. PRODUCT SPECIFICATION GS-12-149.
APPLICATION SPECIFICATION BUS-20-067.

6. PACKAGED IN TRAYS.

PCB NOTES:


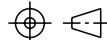
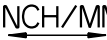
7. ALL HOLE DIAMETERS ARE FINISHED HOLE SIZE.

8 MOUNTING HOLES, WHERE APPLICABLE, ARE UNPLATED.

9 $\varnothing .0453 \pm .0010$ [1.151 \pm 0.025] DRILLED HOLES PLATED WITH .0003 [0.008] MIN SnPb OVER .001 [0.03] TO .003 [0.08] Cu PLATING TO ACHIEVE $\varnothing .040 \pm .003$ [1.02 \pm .07] HOLE.

10 "DIM XXX" TO BE DETERMINED BY THE CUSTOMER.

11 CONNECTOR KEEP-OUT ZONE.

mat'l code				SEE NOTE 2		tolerances unless otherwise specified		CUSTOMER		 FCI www.fciconnect.com	
ltr	ecn no.	dr	date	linear	.XX±.01/0.X±0.3		COPY		 title 14P + 24S VERTICAL PRESS-FIT RECEPT		
A					.XXX±.005/0.XX±0.13		INCH/MM				
					angles	.XXX±.0020/0.XXX±0.051		scale 1:1		product family PwrBlade code 213 size dwg no 51940-087 sheet 4 of 4	
sheet index		revision sheet		dr	T. BRUNGARD	03/30/04			engr M. GRAY 03/30/04 chr M. GRAY 03/30/04 appd M. GRAY 03/30/04		

A

B

1 | 2

3 |

4

1 | 2

Pro/E

3 |

cage code 22526

4