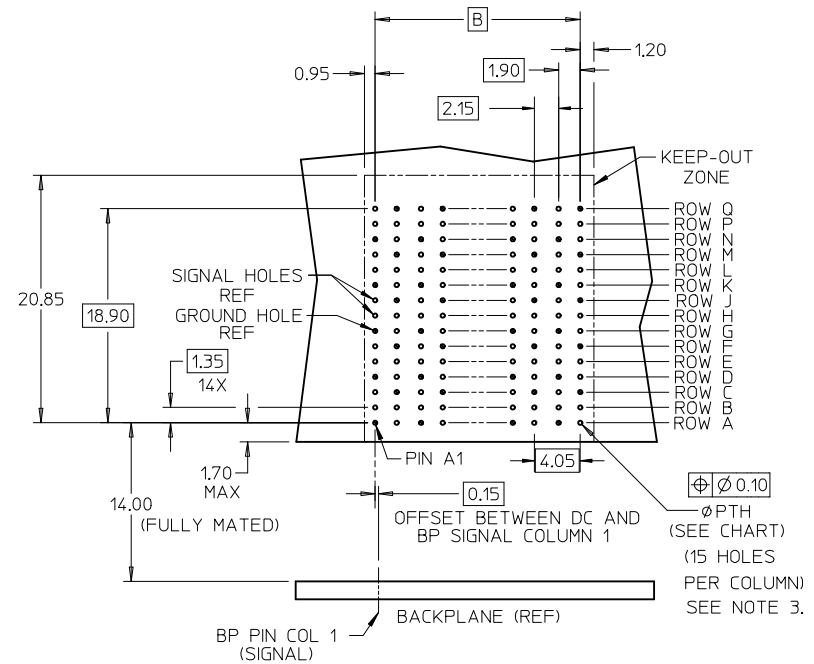
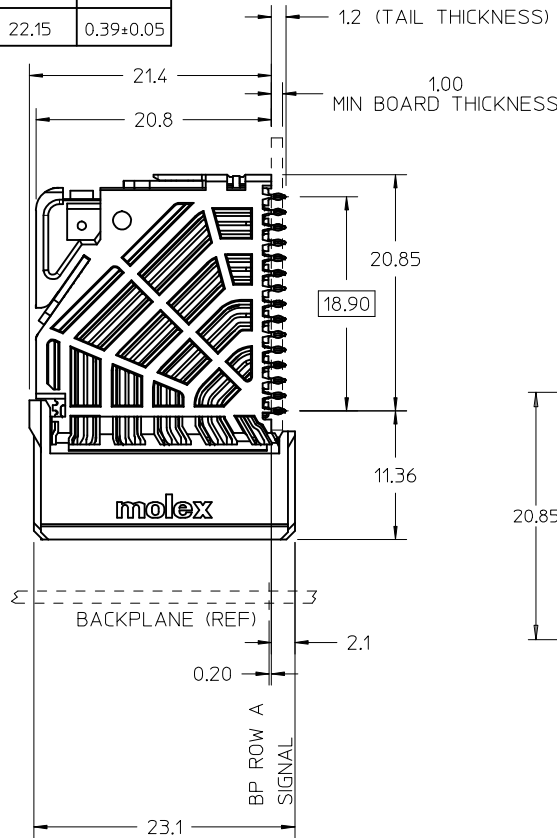
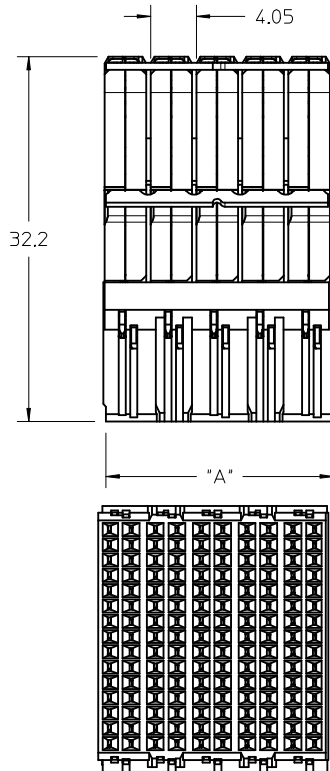
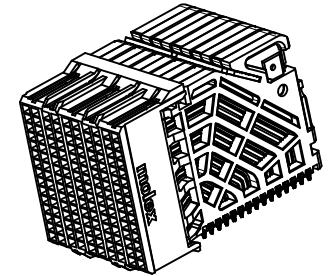


MATERIAL NUMBER	# OF COLUMNS	# OF DIFF PAIR	DIM "A" MAX	DIM "B"	PTH ϕ
76990-1008	8	40	16.20	14.05	0.46 \pm 0.05
76990-1038	8	40	16.20	14.05	0.39 \pm 0.05
76990-1010	10	50	20.25	18.10	0.46 \pm 0.05
76990-1020	10	50	20.25	18.10	0.39 \pm 0.05
76990-1012	12	60	24.30	22.15	0.46 \pm 0.05
76990-1022	12	60	24.30	22.15	0.39 \pm 0.05

76990-~~*~~0~~*~~

MODULE & PLATING TYPE
1 = UNGUIDED, TIN

OF COLUMNS
08 = 8 COL 0.46 PTH
38 = 8 COL 0.39 PTH
10 = 10 COL 0.46 PTH
20 = 10 COL 0.39 PTH
12 = 12 COL 0.46 PTH
22 = 12 COL 0.39 PTH



DAUGHTERCARD HOLE PATTERN
(CONNECTOR SIDE)

- NOTES:
1. MATERIALS: HOUSING - LIQUID CRYSTAL POLYMER (LCP), GLASS-FILLED, UL94V-0
TERMINALS - HIGH PERFORMANCE COPPER ALLOY
 2. FINISH: 30 μ IN MIN GOLD IN CONTACT AREA, SELECTIVE TIN ON PCB TAILS, NICKEL OVERALL.
 3. REFER TO MOLEX PRODUCT SPEC PS-76060-999 FOR PERFORMANCE SPECIFICATIONS AND ADDITIONAL PCB INFORMATION.
 4. EACH SIGNAL WAFER CONTAINS 2 COLUMNS OF TERMINALS.
 5. PRODUCT IS PACKAGED PER PK-70873-611.
 6. THIS PART CONFORMS TO CLASS B REQUIREMENTS OF COSMETIC SPEC PS-45499-002.
 7. REFER TO MOLEX SALES DRAWING SD-76985-001 FOR THE MATING HEADERS.
 8. REFER TO MOLEX ROUTING GUIDE AS-76850-990 FOR ADDITIONAL PCB LAYOUT AND ROUTING RECOMMENDATIONS.

REV	REMOVE TIN-LEAD REF	QUALITY SYMBOLS ▽=0 ▽=0	GENERAL TOLERANCES (UNLESS SPECIFIED)		DIMENSION STYLE MM ONLY		SCALE 3:1	DESIGN UNITS METRIC	THIRD ANGLE PROJECTION	
	EC NO: UCP2015-5541 DRAWN: MILLER 2015/06/29 CHKD: APPR: TELO 2015/07/07		mm	INCH	DRAWN BY JLAURX	DATE 4/29/09	TITLE IMPACT DAUGHTERCARD 5 PAIR ORTHOGONAL UNGUIDED SALES DRAWING	MOLEX MOLEX INCORPORATED		SHEET NO. 1 OF 1
C1			4 PLACES \pm --- \pm ---		APPROVED BY JB INGHAM	DATE 2010/01/14	DOCUMENT NO. SD-76990-001	THIS DRAWING CONTAINS INFORMATION THAT IS PROPRIETARY TO MOLEX INCORPORATED AND SHOULD NOT BE USED WITHOUT WRITTEN PERMISSION		