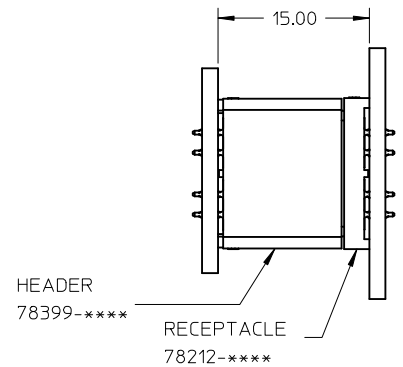
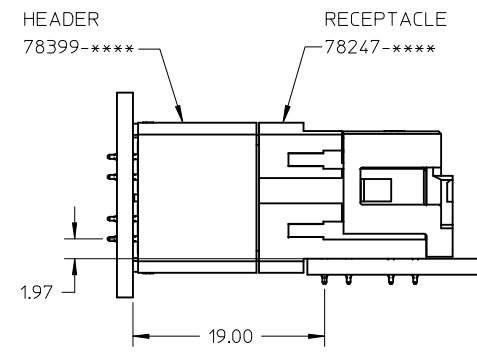
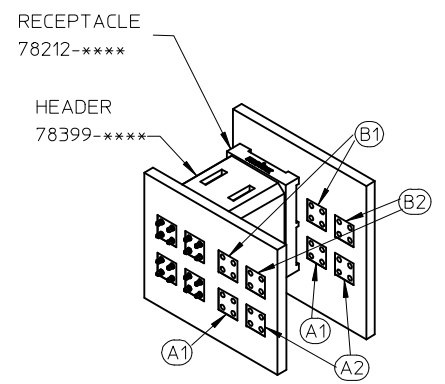


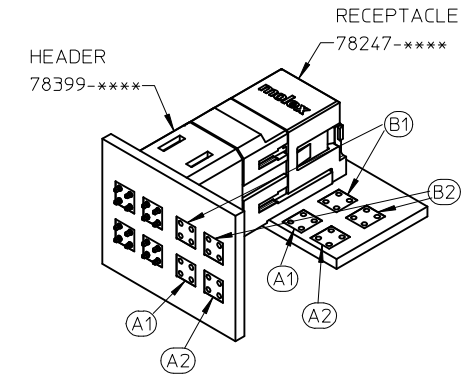
RECOMMENDED PCB LAYOUT
(COMPONENT SIDE SHOWN)
MINIMUM BOARD THICKNESS: 1.60mm



VERTICAL HEADER (78399) & VERTICAL RECEPTACLE (78212)



VERTICAL HEADER (78399) & RIGHT-ANGLE RECEPTACLE (78247)



MATED SYSTEM OPTIONS WITH 78399

SEE SHEET 1 EC NO: S2013-0278 2012/11/29 DRWN:HCGOH 2013/06/12 CHKD:HCGOH APPR:SHONG 2013/06/13	QUALITY SYMBOLS ▽=0 ◻=0	GENERAL TOLERANCES (UNLESS SPECIFIED)		DIMENSION STYLE MM ONLY		SCALE NTS	DESIGN UNITS METRIC	THIRD ANGLE PROJECTION		
			mm	INCH	DRAWN BY LNG	DATE 2008/04/17	TITLE IMPACT POWER, 3 PAIR VERTICAL HEADER PRESS-FIT			
		4 PLACES	± ---	± ---	CHECKED BY ANG	DATE 2008/06/10	MOLEX INCORPORATED			
		3 PLACES	± ---	± ---	APPROVED BY SHONG	DATE 2010/12/13	MATERIAL NO.	DOCUMENT NO.	SHEET NO.	
			ANGULAR ± 3 °		SEE TABLE		SD-78399-001		2 OF 2	
A6	REV	DRAFT WHERE APPLICABLE MUST REMAIN WITHIN DIMENSIONS		SIZE A3	THIS DRAWING CONTAINS INFORMATION THAT IS PROPRIETARY TO MOLEX INCORPORATED AND SHOULD NOT BE USED WITHOUT WRITTEN PERMISSION					