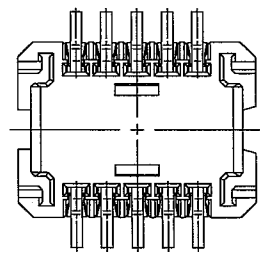
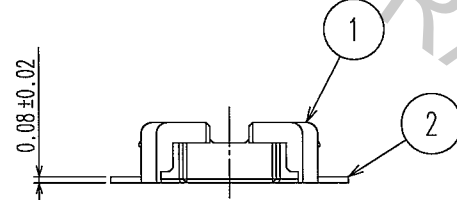
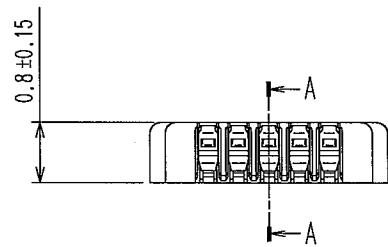
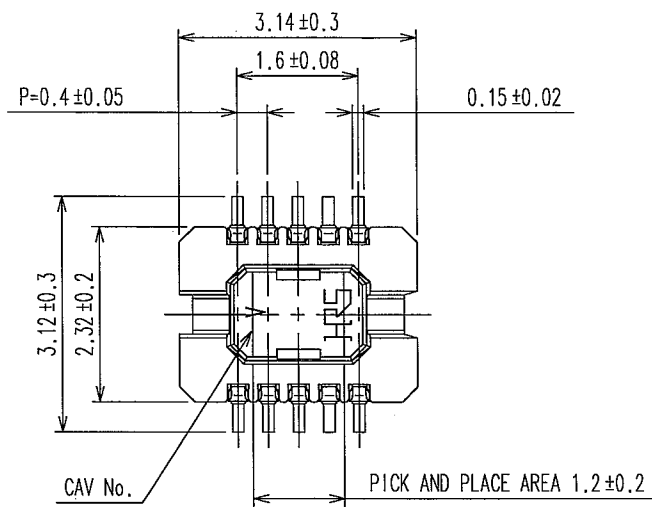
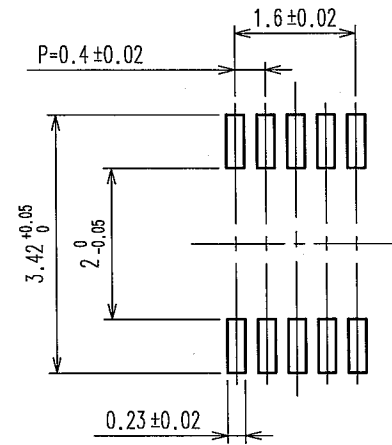


Apr.1.2017 Copyright 2017 HIROSE ELECTRIC CO., LTD. All Rights Reserved.



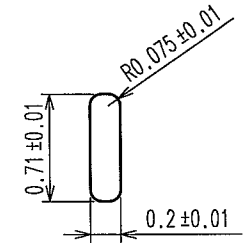
5					6					7					8				
COUNT	DESCRIPTION OF REVISIONS				BY	CHKD	DATE	COUNT	DESCRIPTION OF REVISIONS				BY	CHKD	DATE				
△							..	△							..				
△							..	△							..				
△							..	△							..				

RECOMMENDED PATTERN

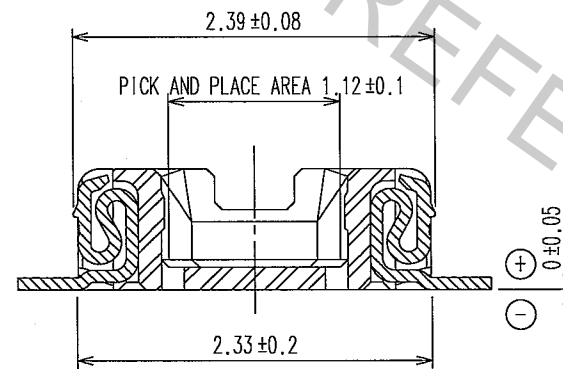


RECOMMENDED SOLDER PASTE THICKNESS: 120μm

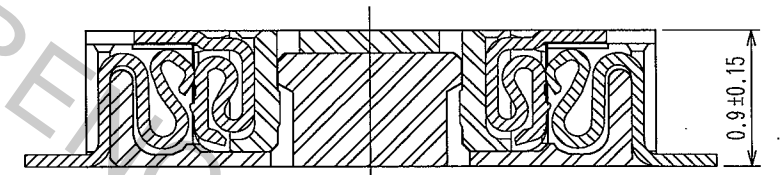
RECOMMENDED METAL MASK
OPENING DIMENSIONS FOR LEAD PAD (20:1)



A-A(20:1)



ENGAGEMENT FIGURE(20:1)



- NOTE 1. ALL LEADS CO-PLANARITY SHALL BE 0.1 MAX.
 2. PER REEL : 5000 CONNECTORS.
 3. AT THE BEGINNING OF THE REEL, 100 mm AT MIN SHALL BE EMPTY POCKETS.
 AT THE END OF THE REEL, 160 mm AT MIN SHALL BE EMPTY POCKETS.
 4. CONTACT PLATING SPECIFICATIONS.
 CONTACT AREA : GOLD 0.05μm MIN.
 SMT LEAD : GOLD 0.02μm MIN.
 UNDERPLATING : NICKEL 1μm MIN.
 (SURFACE : SEALING)

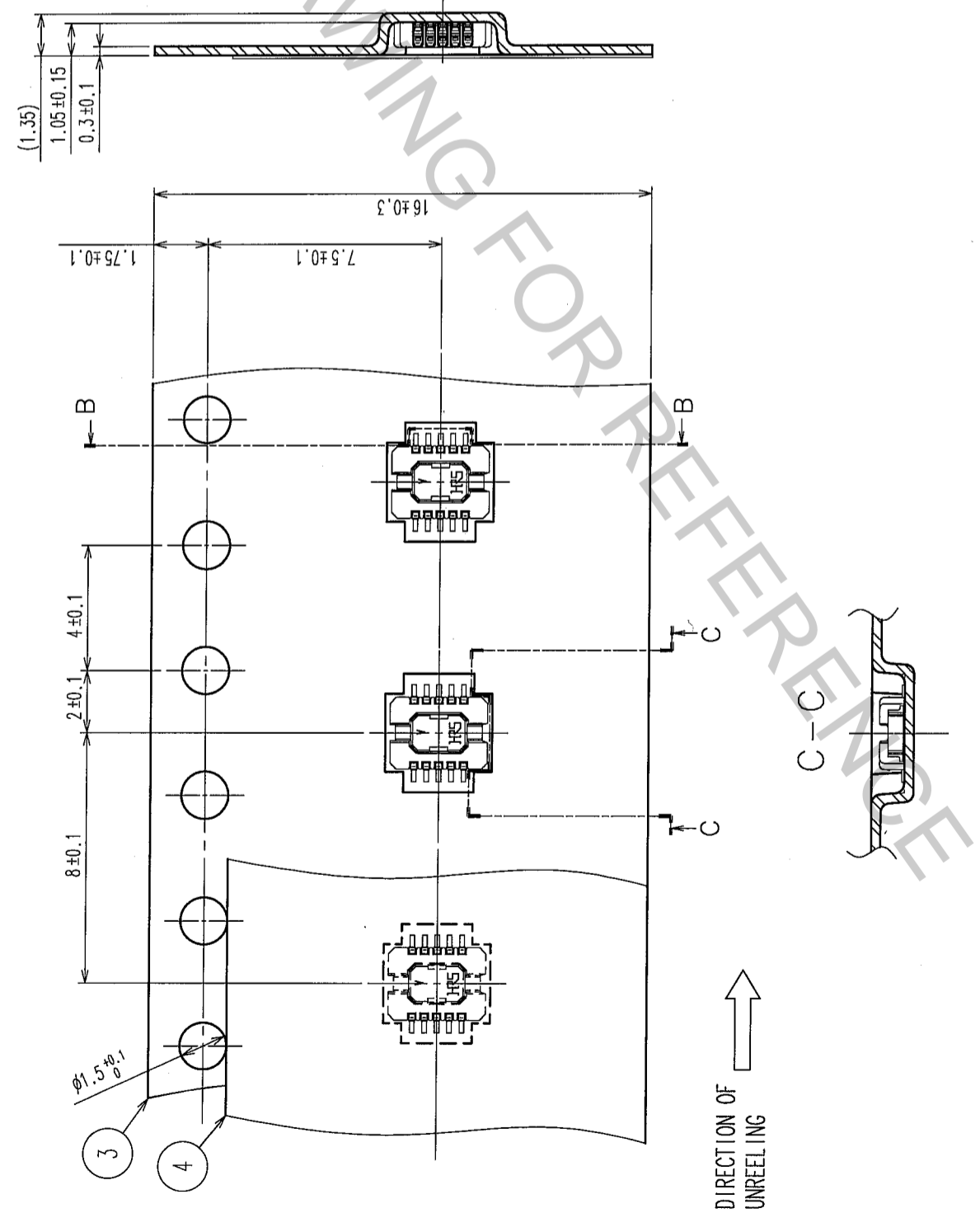
2	PHOSPHOR BRONZE	4	5	PS	PLASTIC REEL (BLACK)
1	LCP	UL94V-0, BLACK	4	POLYESTER	CLEAR (COVER TAPE)
			3	PS	CLEAR (EMBOSSED CARRIER TAPE)
NO.	MATERIAL	FINISH, REMARKS	NO.	MATERIAL	FINISH, REMARKS

CODE NO. (OLD)	DRAWN	DESIGNED	CHECKED	APPROVED	RELEASED
	T. Yamamoto '06.07.06	J. Yamamoto '06.7.6	T. Miyazaki '06.07.06	M. Kobayashi '06.07.06	

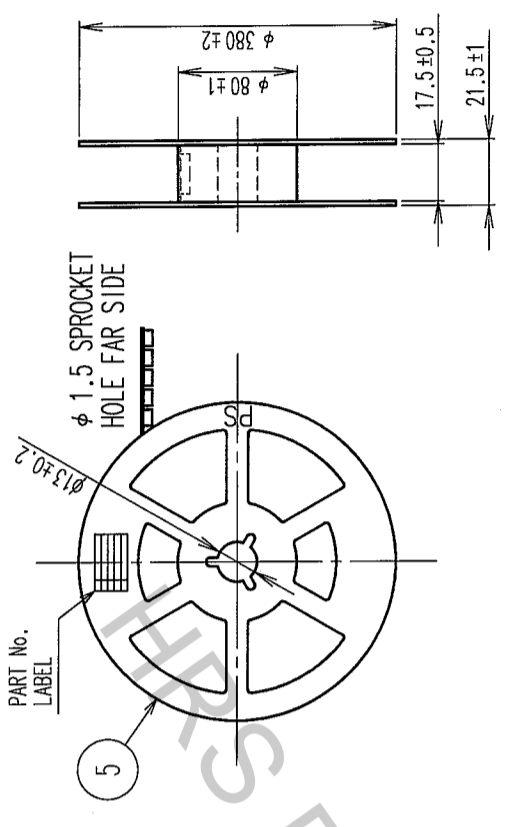
SCALE 10 : 1	DRAWING NO. EDC3-312197-01	PART NO. DF30RC-10DP-0.4V(81)
UNITS mm	HRS HIROSE ELECTRIC CO., LTD	CODE NO. CL684-1291-3-81

COUNT	DESCRIPTION OF REVISIONS	BY	CHKD	DATE	COUNT	DESCRIPTION OF REVISIONS	BY	CHKD	DATE
△					△				
△					△				
△					△				

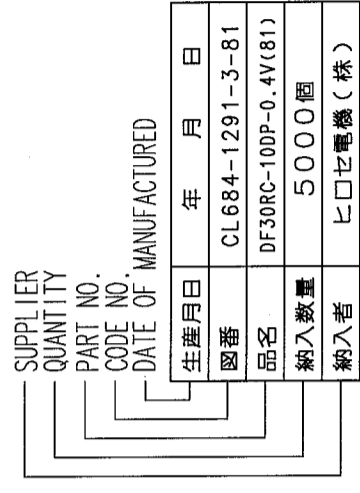
B-B



STYLE AND DIMENSION OF REEL (FREE SIZE)



DETAIL OF PART NO. LABEL



TO	

CODE NO. (OLD)		DESIGNED	T. Yamamoto	CHECKED	T. Miyajima	APPROVED	M. Nakamura	RELEASED	
DRAWING NO.	EDC3-312197-01	DRAWN	T. Yamamoto	DESIGNED	T. Miyajima	APPROVED	M. Nakamura	RELEASED	
SCALE	5 : 1								
UNITS	mm								
PART NO.	DF30RC-10DP-0.4V(81)								
CODE NO.	CL684-1291-3-81								