

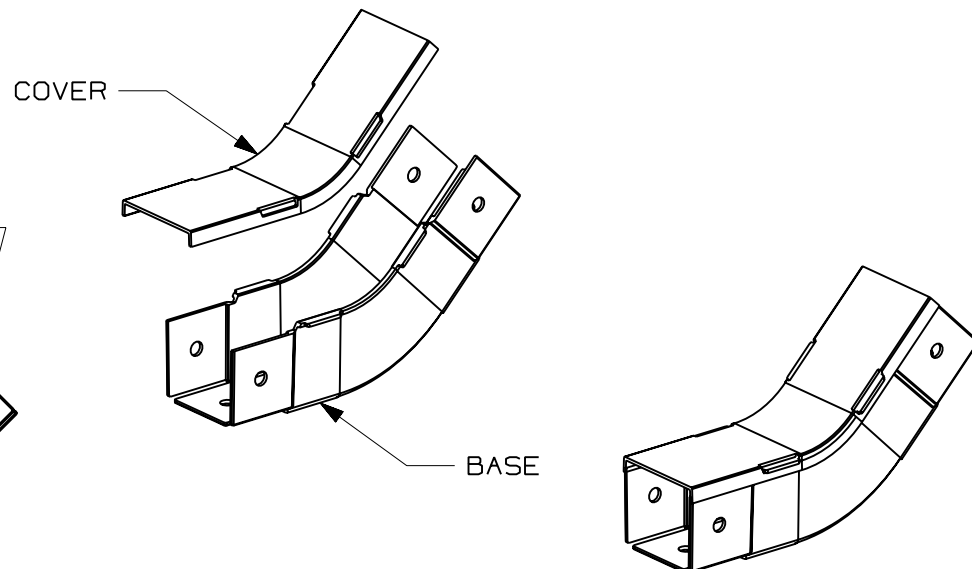
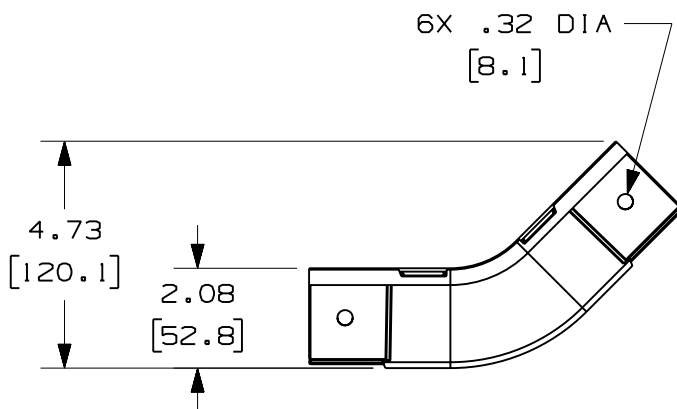
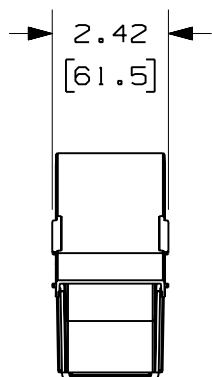
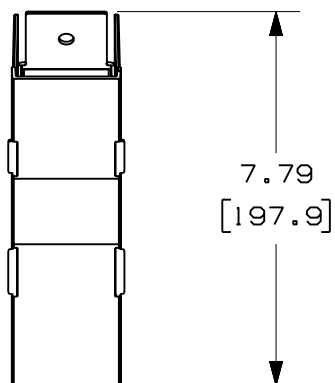


PANDUIT PART NUMBER	WEIGHT
FIV452X2	0.23 LB/EACH (104g/EACH)



**NOTES:**

1. SEE CURRENT CATALOG FOR ADDITIONAL PART SUFFIXES TO INDICATE COLOR AND/OR PACKAGE QUANTITY.
2. THE FIBER-DUCT 2x2 AND FIBERRUNNER 2x2 INSIDE VERTICAL 45° ANGLE FITTING IS DESIGNED WITH A MINIMUM 2" (50.8) BEND RADIUS TO PROTECT FIBER OPTIC CABLES.
3. DIMENSIONS IN PARENTHESES ARE IN METRIC.



ENG. REF.: D35245BX\_DC\_FIV452X2\_03.prt

CAD FILENAME/LAYERS FIV452X2.pdf

**PANDUIT** CORP TINLEY PARK, ILLINOIS  
 FIBER-DUCT 2x2 AND FIBERRUNNER 2x2  
 INSIDE VERTICAL 45° ANGLE FITTING  
 (FIV452X2)  
 CUSTOMER DRAWING

UNLESS OTHERWISE SPECIFIED, DIMENSIONAL TOLERANCES ARE:  
 (.X) ± (.XXX) ±  
 (.XX) ± .03 (.8) ANGLES ±

UNLESS OTHERWISE SPECIFIED, ALL DIMENSIONS ARE GIVEN IN INCHES, THIRD ANGLE PROJECTION.

-	-----	---	---	F. REVISED PART WEIGHT E. REVISED GENERAL NOTES	-----	--	--						
3	6-23-06	DTP	RN	D. REVISED DRAWING TITLE C. REVISED AND REDRAWN	35245-24	RN	RN						
REV	DATE	BY	CHK	DESCRIPTION	ECN	R	CUST	SUP	GMBH				

DRAWN BY PM	MAT'L: ABS	SCALE NONE
DATE 1-21-97		DRAWING NO. 35245-24
CHK'D CEF		DWG A SIZE