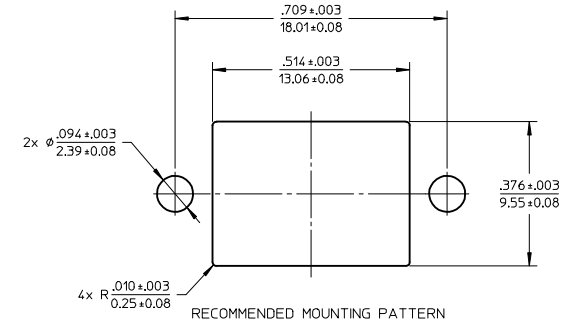
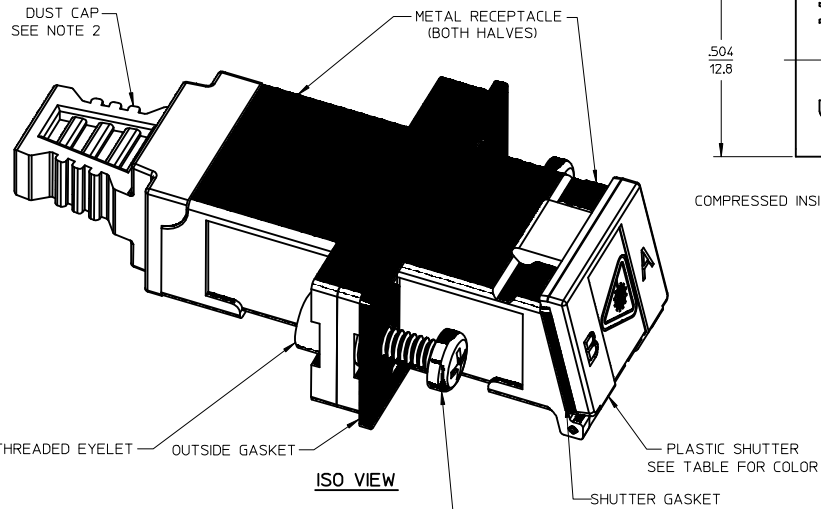
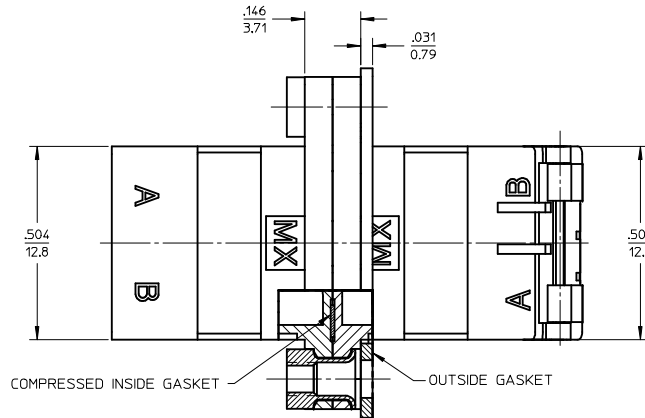
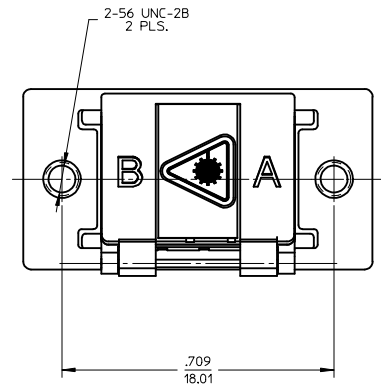
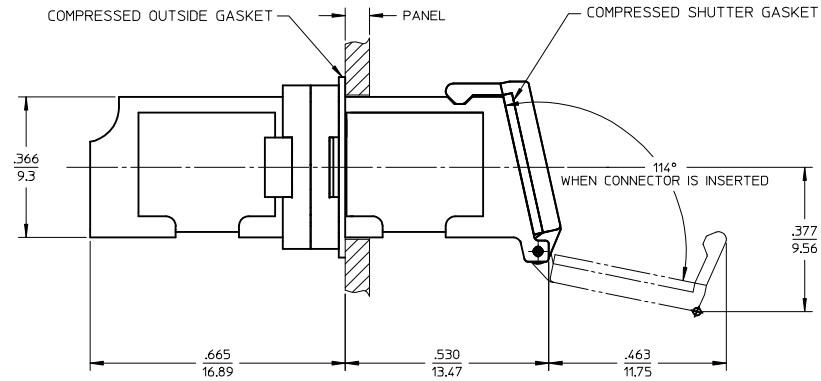
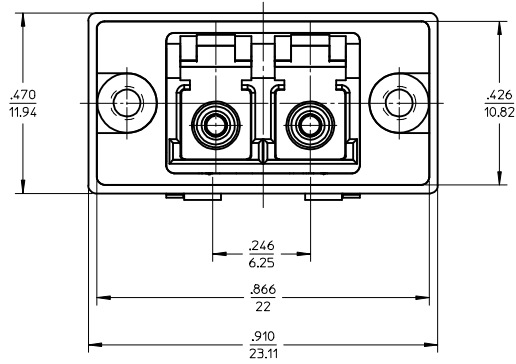


13	12	11	10	9	8	7	6	5	4	3	2	1
LCD ADAPTER P/N	LC SLEEVE MATERIAL	PLASTIC SHUTTER COLOR										
106127-0100	ZR	BLUE										
106127-0110	PH. BRONZE	BEIGE										



NOTES:

- ALL DIMENSIONS ARE FOR REFERENCE.
- DUST CAP & SEALING SCREWS SHOWN IN ISO VIEW ONLY.
- LC DUPLEX ADAPTER HAS SC ADAPTER FOOTPRINT.
- LC DUPLEX ADAPTER TO BE PACKAGED IN TRAY.
- SUGGESTED TORQUE OF SS #2-56 SEALING SCREWS TO SS PANEL IS 0.8 IN-LBS.

ENTER DESCRIPTION EC NO: MF2016-0301 DRWNSZ/LAGY1 2014/05/23 CHKD: APPR:WCHEN 2016/04/13	QUALITY SYMBOLS 	GENERAL TOLERANCES (UNLESS SPECIFIED)		DIMENSION STYLE	SCALE	DESIGN UNITS	THIRD ANGLE PROJECTION		
				IN/MM	4:1	INCH			
				DRAWN BY	DATE	TITLE			
				CHECKED BY	DATE	SEALED LCD ADAPTER			
		APPROVED BY		DATE					
		WCHEN		2010/12/14				DOCUMENT NO. SD-106127-01X0	
		MATERIAL NO.		SIZE		SHEET NO.			
		SEE TABLE		C		1 OF 1			
		DRAFT WHERE APPLICABLE MUST REMAIN WITHIN DIMENSIONS						THIS DRAWING CONTAINS INFORMATION THAT IS PROPRIETARY TO MOLEX INCORPORATED AND SHOULD NOT BE USED WITHOUT WRITTEN PERMISSION	