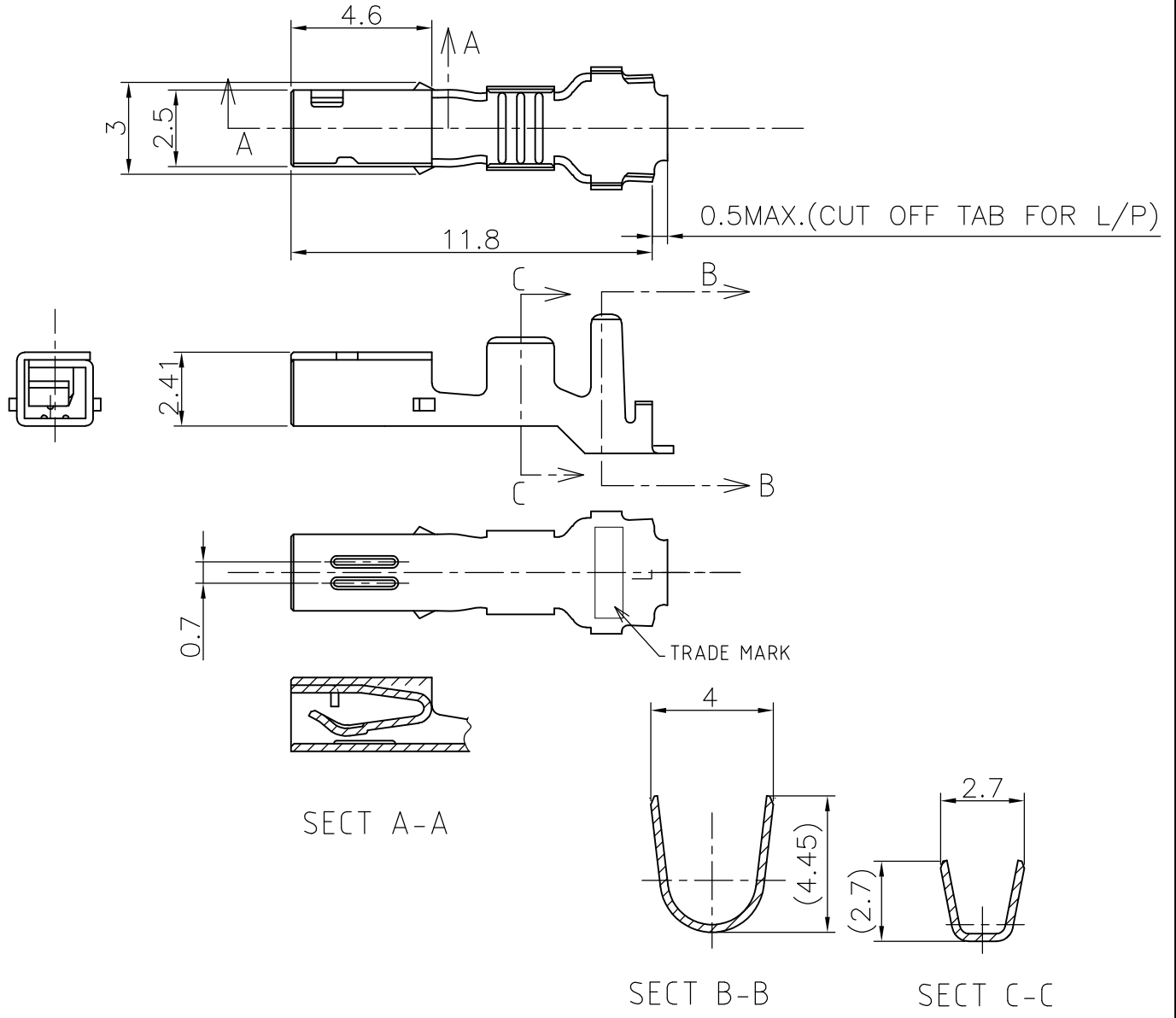


LOC J	DIST —	REVISIONS 変更					
		P	LTR	DESCRIPTION	DATE	DWN	APVD
			B1	REVISED PER ECO-11-005030	11MAR11	RK	HMR



THIS DRAWING IS UNPUBLISHED. ALL RIGHTS RESERVED. RELEASED FOR PUBLICATION BY —

AWG#20-#16 (0.5-1.25mm sq)		INSULATION DIA 2.0-3.1		1376347-1	
DWN A.OISHI 31AUG'00		MATERIAL 材料 PRE-TIN COPPER ALLOY		FINISH 仕上 —	
CHK Y.KASHIWA 31AUG'00		TE Connectivity			
APVD Y.KASHIWA 31AUG'00					
PRODUCT SPEC 製品規格 108-5699		NAME 名称 5.0 POWER KEY CONNECTOR REC CONTACT (L)			
APPLICATION SPEC 取付適用規格 114-5292		SIZE A4	CAGE CODE 00779	DRAWING NO 番号 1376347	RESTRICTED TO —
WEIGHT —		CUSTOMER DRAWING		SCALE 尺度 10:1	SHEET 1 OF 1
DIMENSIONS: 単位: 耗 mm TOLERANCES UNLESS OTHERWISE SPECIFIED: 一般公差 0 PLC ± 0.25 1 PLC ± 2 PLC ± 3 PLC ± 4 PLC ± ANGLES ± 2°		REV B1			