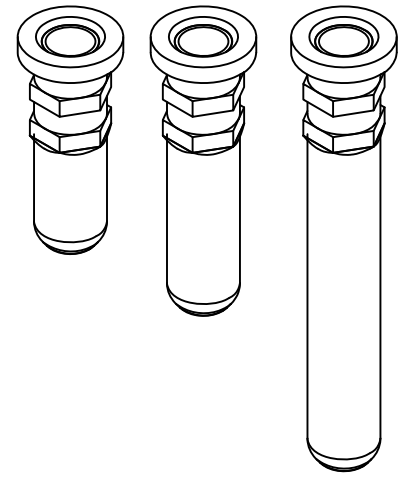
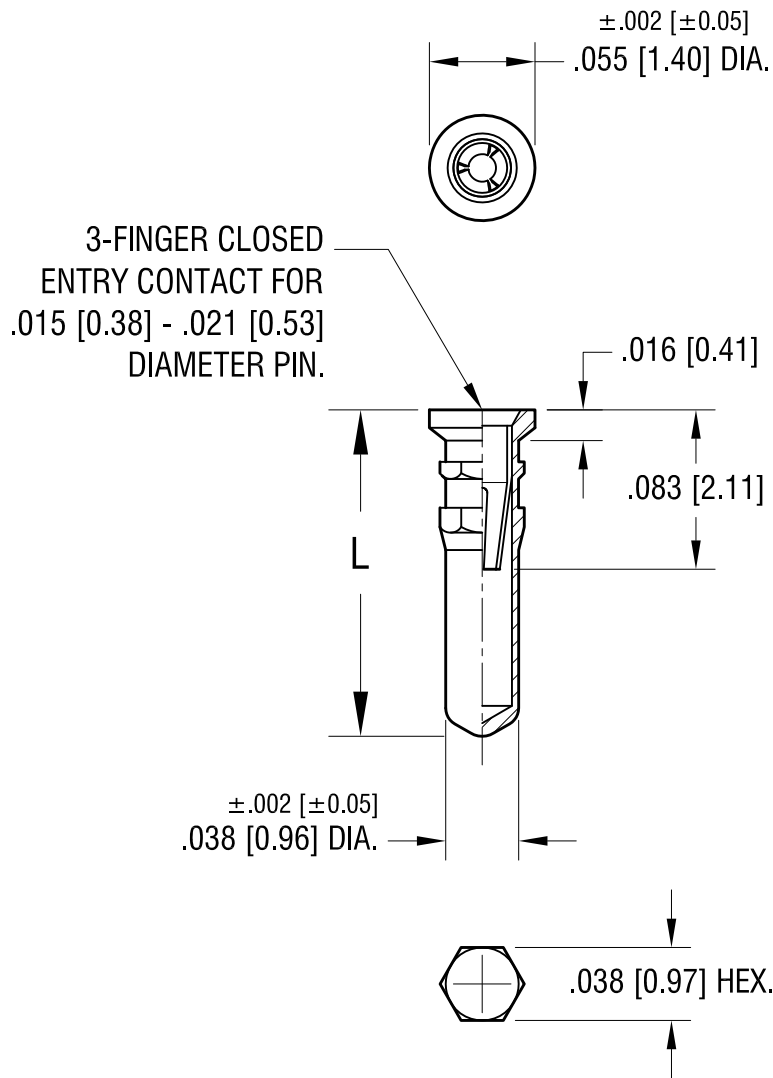


THIS DOCUMENT IS THE PROPERTY OF
KEYSTONE ELECTRONICS CORP. AND
SHALL NOT BE REPRODUCED, DISTRIBUTED
OR USED AS A BASIS FOR MANUFACTURE
WITHOUT PRIOR WRITTEN PERMISSION
FROM KEYSTONE ELECTRONICS CORP.



NOTES:

- 1. BODY: MAT'L - BRASS
SPRING CONTACT: MAT'L - BERYLLIUM COPPER
- 2. MOUNTING HOLE DIA.: .040 [1.02]

PART NO.	'L' DIM.
1432-1	.140 [3.56]
1432-2	.170 [4.32]
1432-3	.282 [7.16]

KEYSTONE ELECTRONICS CORP.
www.keyelco.com • ASTORIA, N.Y. 11105-2017 • Tel (718) 956-8900

PART NAME: MICRO JACK, PRESS-FIT

MATERIAL: AS NOTED

FINISH: TIN/LEAD PLATE	DRN BY: BOONE	DATE: 2.15.07
	APP'D: LN	SCALE: 10X

TOLERANCES: INCH [MM] DECIMAL: ±.005 [±0.13] ANGULAR: ± 1° UNLESS OTHERWISE SPECIFIED

CODE: DWG NO. C/M

1432-1 - 1432-3

7.20.11	CHANGE AS PER ECN 11-096	A
DATE	DESCRIPTION	REV.