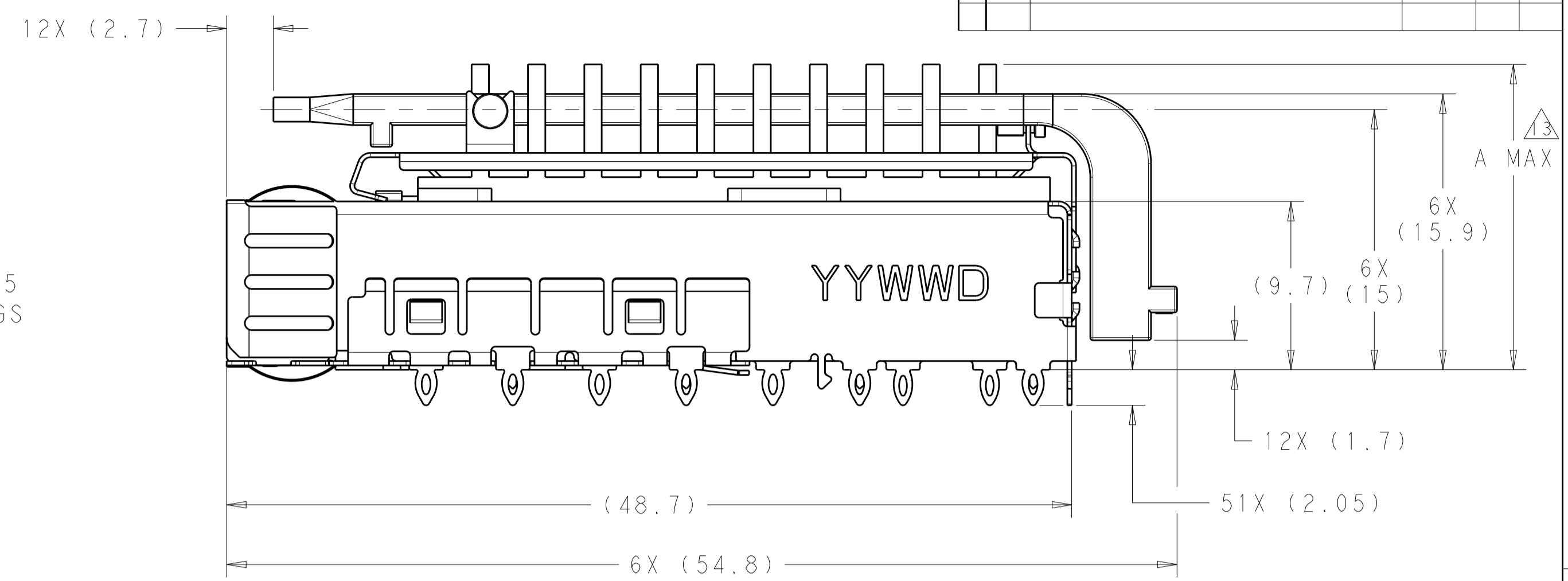
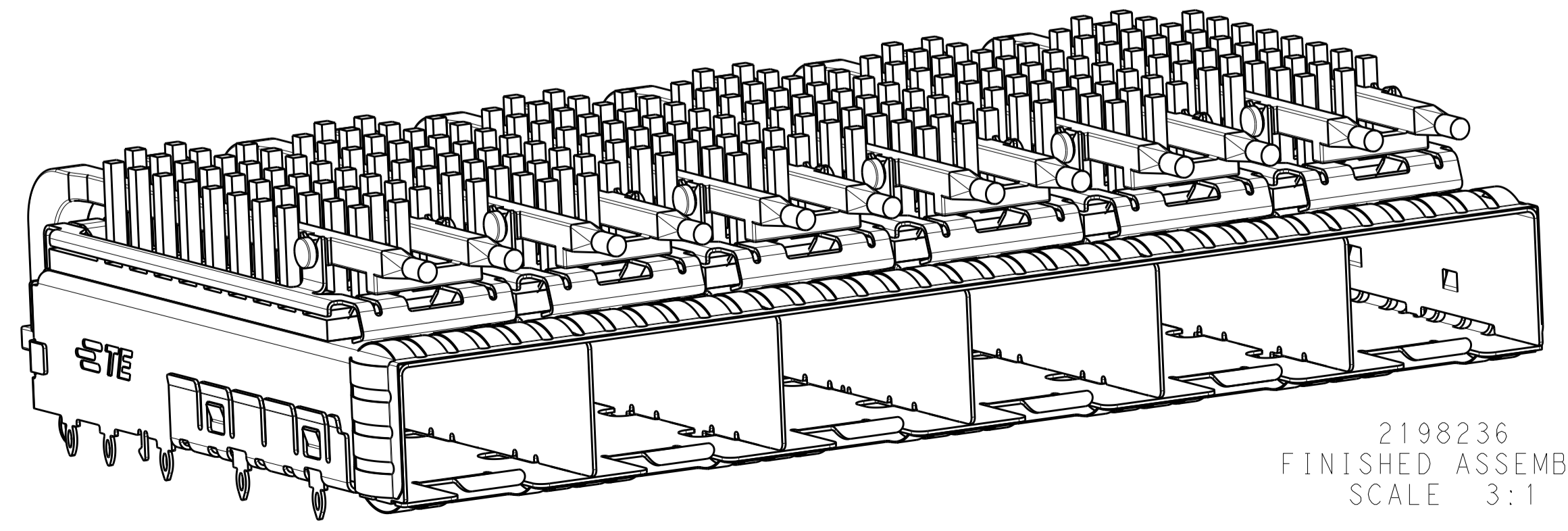
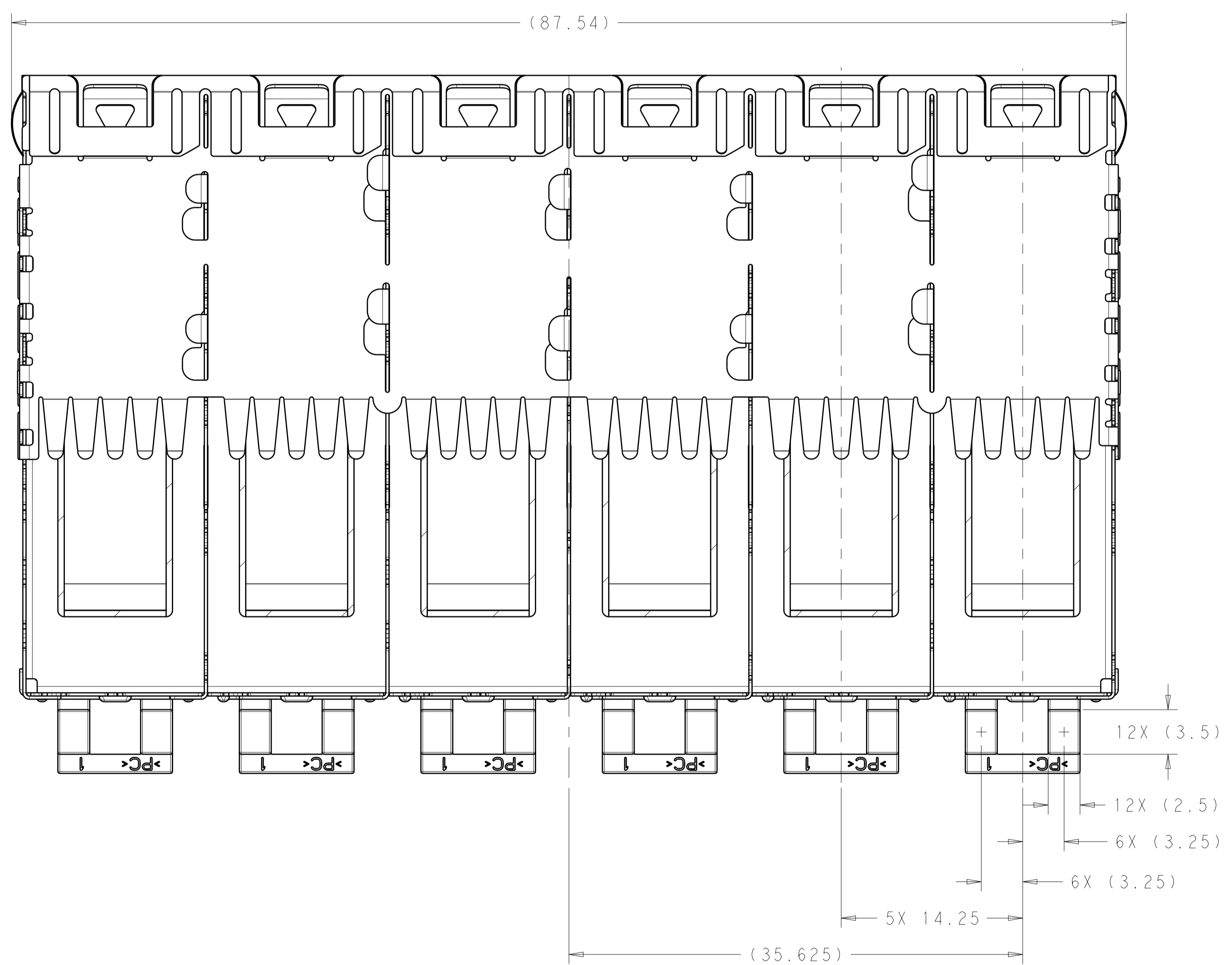
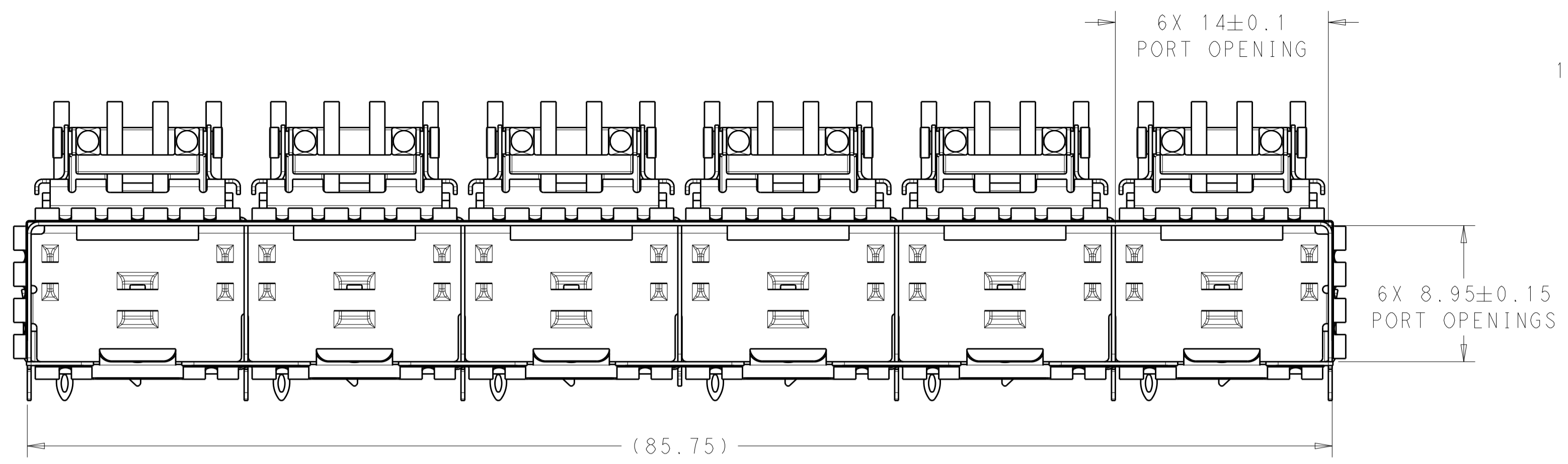


LOC	DIST	REVISIONS					
GP	00	P	LTN	DESCRIPTION	DATE	DWN	APVD
		A		RELEASED PER ECO-12-013192	18OCT2012	BMM	MRS



- 1 MATERIAL:  
CAGE ASSEMBLY: 0.25mm THICK NICKEL SILVER ALLOY.  
HEATSINK/LIGHTPIPE CLIP: STAINLESS STEEL  
LIGHT PIPE: POLYCARBONATE, CLEAR  
HEATSINK: ALUMINUM
- 2 FINISH:  
SPRINGS: MINIMUM OF 0.8um TIN PLATE OVER A MINIMUM OF 0.8um NICKEL UNDERPLATE.  
NON-PLATED EDGES PERMISSIBLE.  
HEATSINK/LIGHTPIPE CLIP: PASSIVATE  
HEATSINK: ELECTROLESS NICKEL
- 3. MATES WITH SFP MSA COMPLIANT TRANSCEIVERS.
- 4 PADS AND VIAS CHASSIS GROUND.
- 5. INTERPRETATION OF DATUM REFERENCE FRAME IN ACCORDANCE WITH SECT 4.4.1.1 OF ASME Y14.5M-1994.
- 6 MINIMUM PC BOARD THICKNESS:  
SINGLE SIDED = 1.50mm  
DOUBLE SIDED = 2.25mm
- 7 HOLE PATTERN REPEATS FOR EACH PORT. SPACING BETWEEN PORTS IS 14.25mm.
- 8 DATUM AND BASIC DIMENSION ESTABLISHED BY CUSTOMER.
- 9 REFERENCE APPLICATION SPEC. 114-13120, HOLE A, FOR RECOMMENDED DRILL HOLE DIAMETER AND PLATING THICKNESS.
- 10 REFERENCE APPLICATION SPEC. 114-13120, HOLE B, FOR RECOMMENDED DRILL HOLE DIAMETER AND PLATING THICKNESS.
- 11. CERTAIN MATING TRANSCEIVERS MAY REQUIRE ADDITIONAL PCB THICKNESS THAT WOULD BE DETERMINED BY THE CUSTOMER.
- 12. PRODUCT COMPLIES WITH SPECIFICATION SFF-8433 IMPROVED PLUGGABLE FORM FACTOR FOR SFP+ GANGED CAGES.
- 13 DIMENSION APPLIES PRIOR TO INSERTION OF SFP MODULE
- 14 HEATSINK, HEATSINK CLIP, AND LIGHTPIPE SHIPPED UNASSEMBLED TO CAGE ASSEMBLY. CAGE ASSEMBLY TO BE PRESSED INTO PCB PRIOR TO ATTACHING HEATSINK, HEATSINK CLIP, AND LIGHTPIPE TO THE CAGE ASSEMBLY.
- 15 PACKAGED AS A COMPLETE ASSEMBLY.

22.5	NETWORKING, TALL	2198236-4
18.1	NETWORKING, SHORT	2198236-3
15.5	SAN	2198236-2
13.2	PCI	2198236-1
A MAX	APPLICATION	PART NUMBER

THIS DRAWING IS A CONTROLLED DOCUMENT.

DWN: B. MATTHEWS 15NOV2011  
CHK: M. SCHMITT 15NOV2011  
APVD: M. SCHMITT 15NOV2011

TE Connectivity

NAME: SFP+ ENHANCED 1X6 CAGE ASSEMBLY, PRESS FIT, EXTERNAL EMI SPRINGS WITH HEATSINK AND LIGHTPIPE

PRODUCT SPEC: 108-2364  
APPLICATION SPEC: 114-13120

SIZE: A1  
CAGE CODE: 00779  
DRAWING NO: 2198236

RESTRICTED TO: -

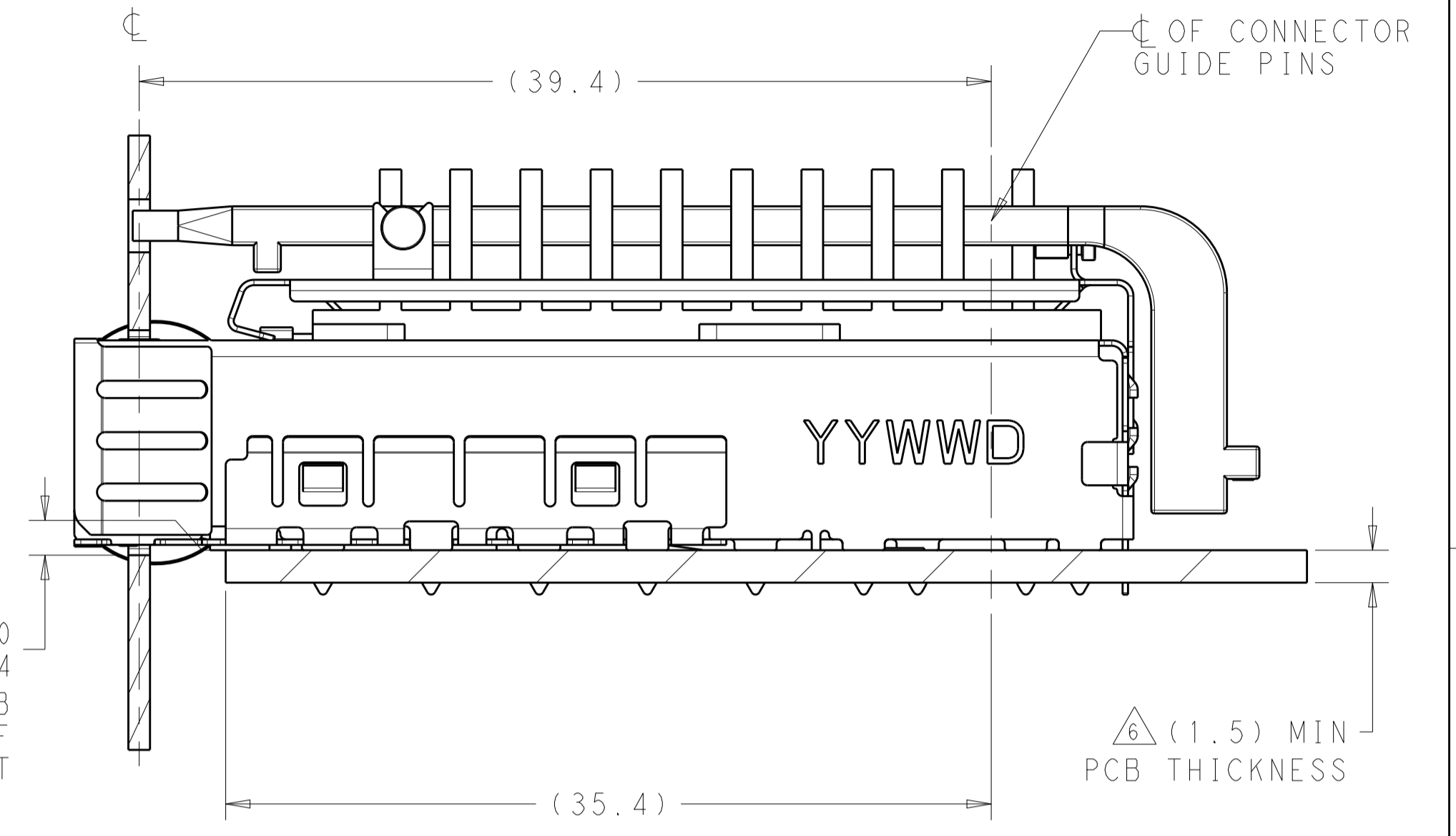
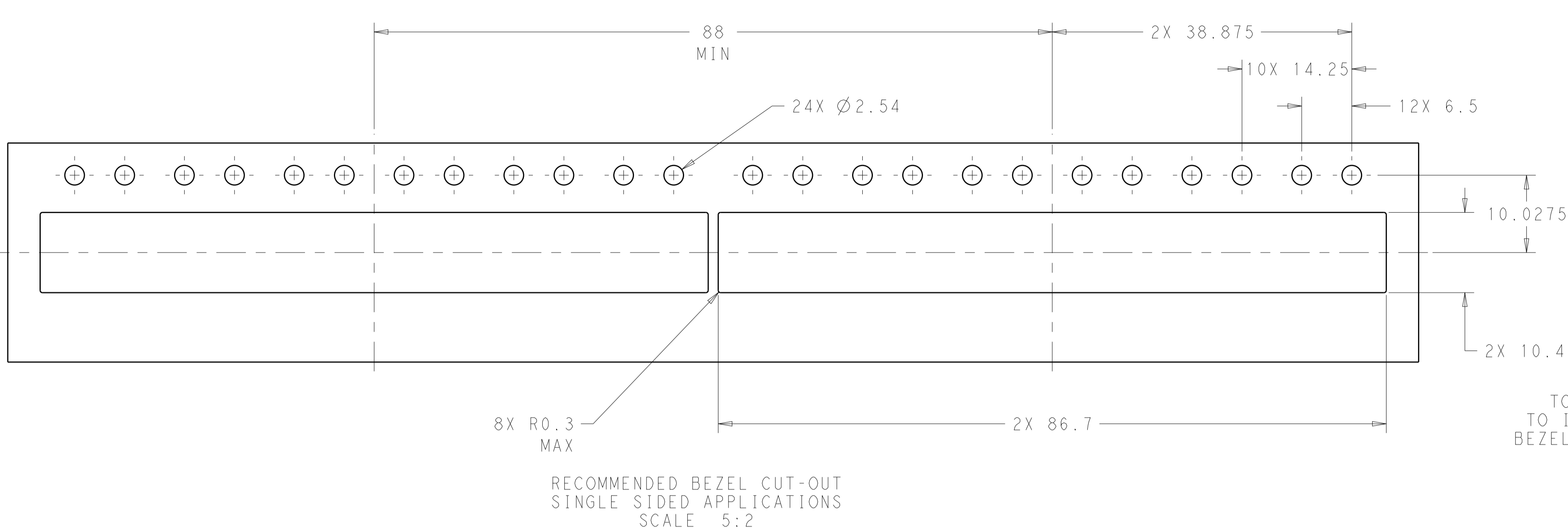
Customer Drawing

SCALE: 4:1 SHEET 1 OF 4 REV A

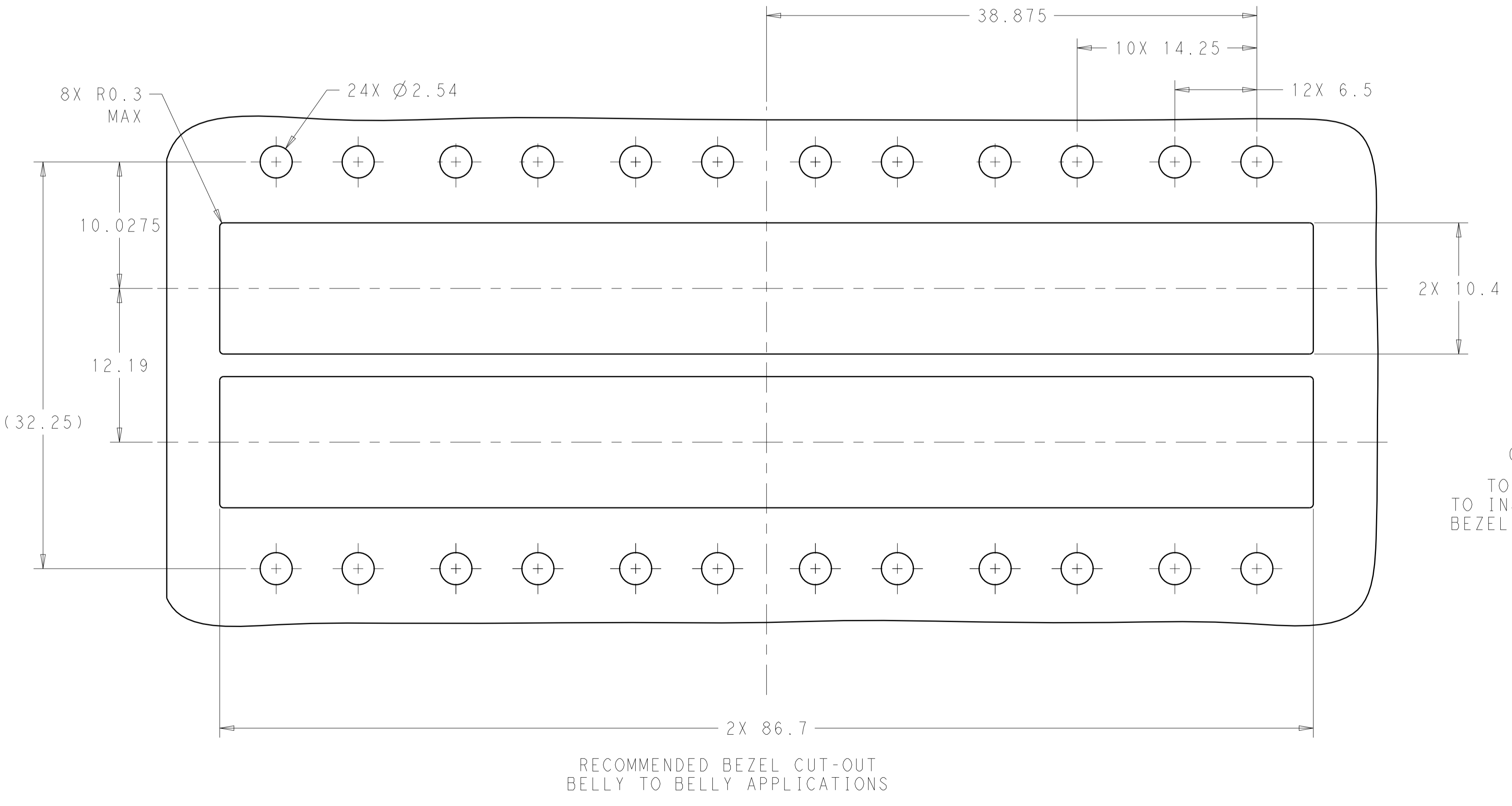
LOC	DIST	REV	DATE	BY	APPV
GP	00				

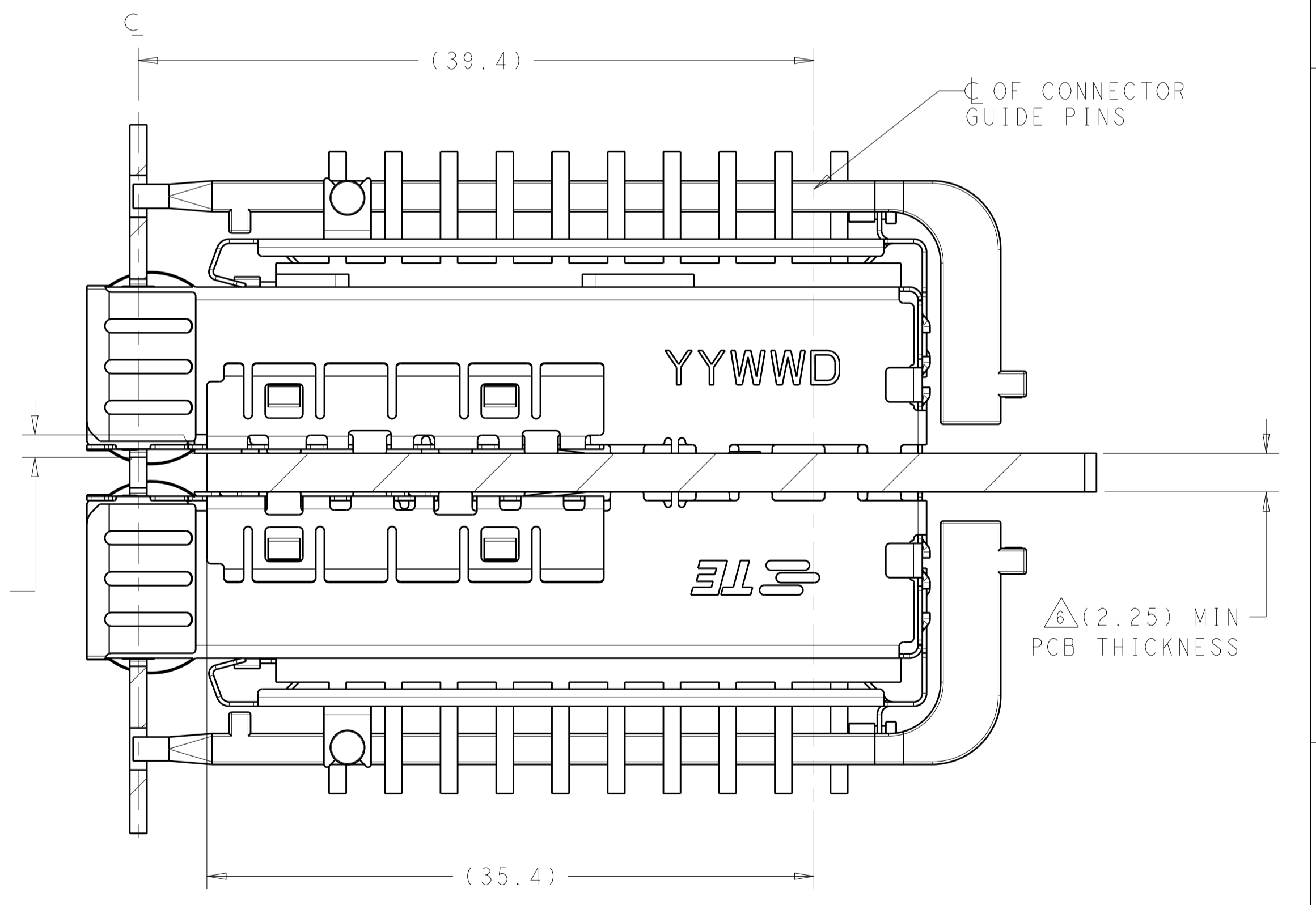
REVISIONS			DATE	BY	APPV
		SEE SHEET 1			



2198236  
MOUNTED ON PC BOARD  
SHOWN THRU RECOMMENDED BEZEL



0.23<sup>+0.10</sup><sub>-0.14</sub>  
TOP OF PCB  
TO INSIDE OF  
BEZEL CUT-OUT



2198236  
MOUNTED BELLY TO BELLY ON PC BOARD  
SHOWN THRU RECOMMENDED BEZEL

THIS DRAWING IS A CONTROLLED DOCUMENT.		OWN: B. MATTHEWS 15NOV2011	TE Connectivity
DIMENSIONS: mm		CHK: M. SCHMITT 15NOV2011	
TOLERANCES UNLESS OTHERWISE SPECIFIED:		APVD: M. SCHMITT 15NOV2011	NAME: SFP+ ENHANCED 1X6 CAGE ASSEMBLY, PRESS FIT, EXTERNAL EMI SPRINGS WITH HEATSINK AND LIGHTPIPE
0 PLC ±0.1	1 PLC ±0.1	PRODUCT SPEC	108-2364
2 PLC ±0.1	3 PLC ±0.1	APPLICATION SPEC	114-13120
4 PLC ±0.1	ANGLES ±1°	WEIGHT	A100779C=2198236
MATERIAL	FINISH	Customer Drawing	SCALE 4:1 SHEET 2 OF 4 REV A



