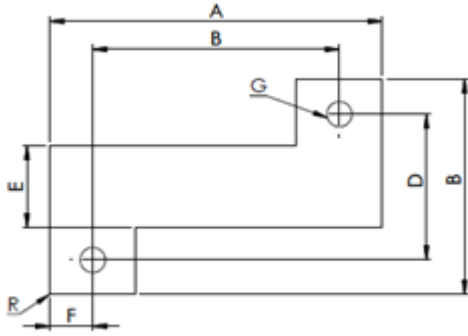


DC0041/01/PC99-0.06

Die Cut PCM Resistor Pad



Features

Low thermal resistance
Natural tack

Applications

Resistor Pad

Properties

- ◆ REACH Compliant
- ◆ RoHS Compliant

| Property | PC99 | Unit | Tolerance | Test Method |
|------------------------------|-------------------|-----------------------|-----------|-------------|
| Colour | Yellow | - | - | Visual |
| Thickness | 0.06 | mm | - | ASTM D374 |
| Phase Change Softening Point | 52 | °C | - | - |
| Specific Gravity | 2.35 | g/cm ³ | ±0.2 | ASTM D792 |
| Working Temperature | -40 to 200 | °C | - | - |
| Surface Resistance | >10 ¹² | Ohm-cm | - | ASTM D257 |
| Elongation | 5 | % | ±13 | ASTM D412 |
| Tensile Strength | 0.1 | Kgf/cm ² | - | ASTM D412 |
| Standard Shape | - | Sheets 320-320mm | - | - |
| Thermal Resistance 30psi | 0.1 | °c-cm ² /w | - | - |

| Dimensions / mm | | | | | | | Ordering part number |
|-----------------|------|-------|------|------|-----|-----|----------------------|
| A | B | C | D | E | F | G | |
| 19 | 20.3 | 14.30 | 15.9 | 10.8 | 2.4 | 2.4 | DC0041/01 - XXX - T |
| 27 | 27.4 | 18.30 | 19.8 | 14 | 4.4 | 3.2 | DC0041/02 - XXX - T |
| 50.00 | 29 | 39.6 | 21.3 | 16 | 5.1 | 3.2 | DC0041/03 - XXX - T |
| 88.9 | 71.4 | 69.9 | 57.1 | 46 | 9.7 | 4.8 | DC0041/04 - XXX - T |