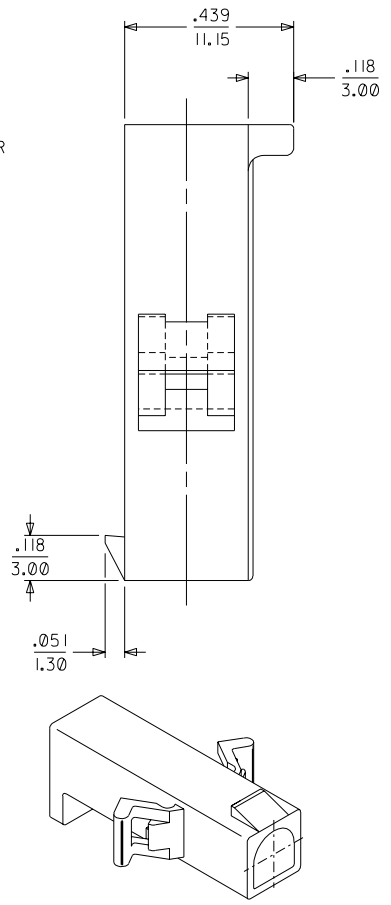
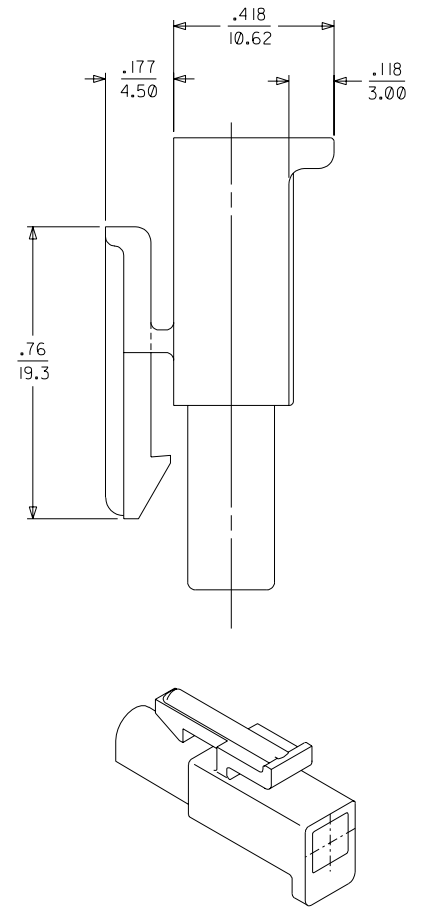
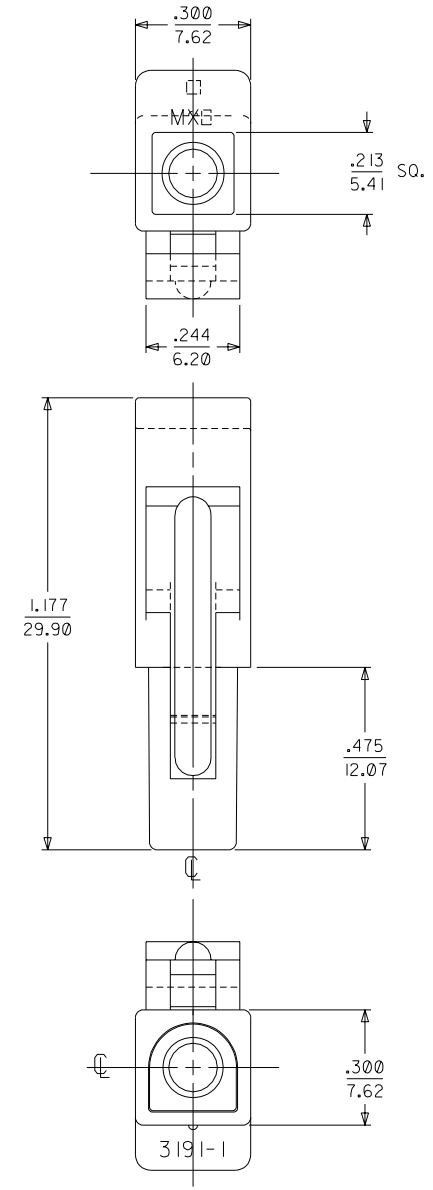


OPTIONAL MOUNTING EAR  
(SEE DETAIL 'A' SHT 2)



PLUG



RECEPTACLE

OBSOLETE 3191-1R1RD EC NO: LUCP2004-0423 DRWN: ELHAG 09/03/03 CHK: ELHAG 09/03/03 APPR: FSMITH 09/10/03	QUALITY SYMBOLS	GENERAL TOLERANCES: (UNLESS SPECIFIED)	SCALE 4 : 1	DESIGN UNITS <input type="checkbox"/> mm <input checked="" type="checkbox"/> INCH	THIRD ANGLE PROJECTION	DIMENSIONS: <input type="checkbox"/> mm <input checked="" type="checkbox"/> INCH <input type="checkbox"/> mm ONLY	2 E 1 E SHT REV REVISE ON CAD ONLY
	MAJOR ▽ = 0	4 PLACES ±0.--- ±.---	DRAWN BY & DATE JBS 06/10/03	TITLE: .093/(2.36) HOUSING, PLUG AND RECEPTACLE, 1 - CIRCUIT			
	CRITICAL ∇ = 0	3 PLACES ±0. ±.010	CHECKED BY & DATE BW 06/13/03	MATERIAL NO. DRAWING NO. SHEET NO. SEE CHART SD-3191-1* 1 of 2			
		2 PLACES ±0.25 ±.014	APPROVED BY & DATE BW 06/16/03	MOLEX INCORPORATED			
		1 PLACE ±0.36 ±.	ANGULAR: ± 1°	CAD FILENAME SD-3191-1.DGN	THIS DRAWING CONTAINS INFORMATION THAT IS PROPRIETARY TO MOLEX INCORPORATED AND SHOULD NOT BE USED WITHOUT WRITTEN PERMISSION.		
REV	DESCRIPTION	DRAFT WHERE APPLICABLE MUST REMAIN WITHIN DIMENSIONS					
E							

