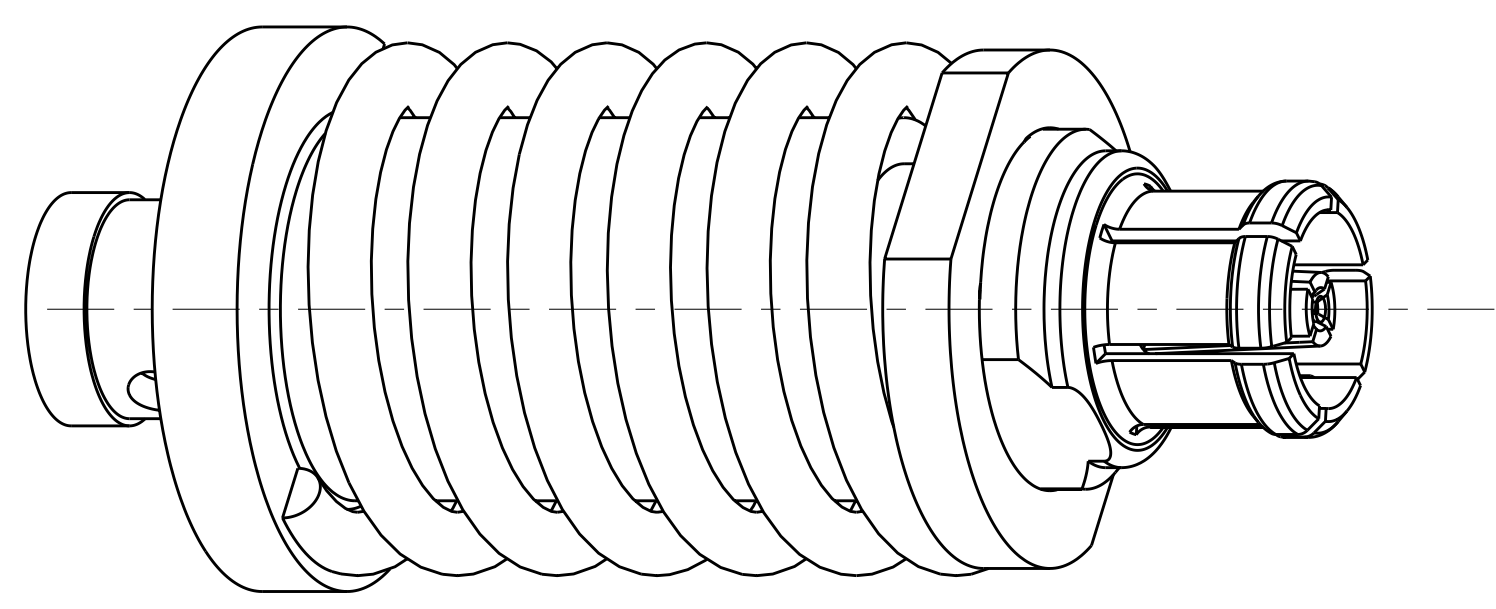


LOC	DIST	REV	DATE	BY	APPD
-	-	H	7-22-11	CT	WM

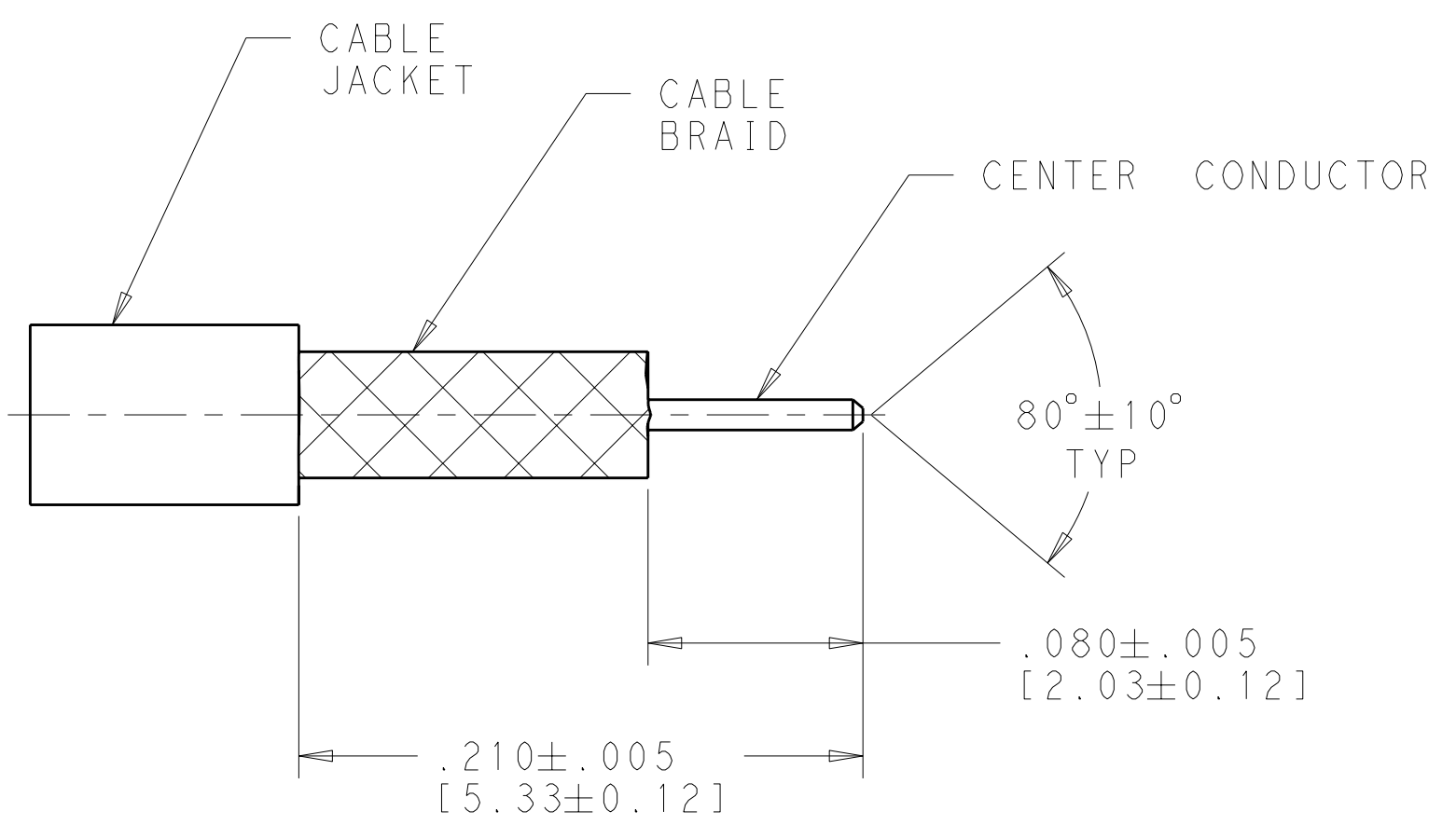
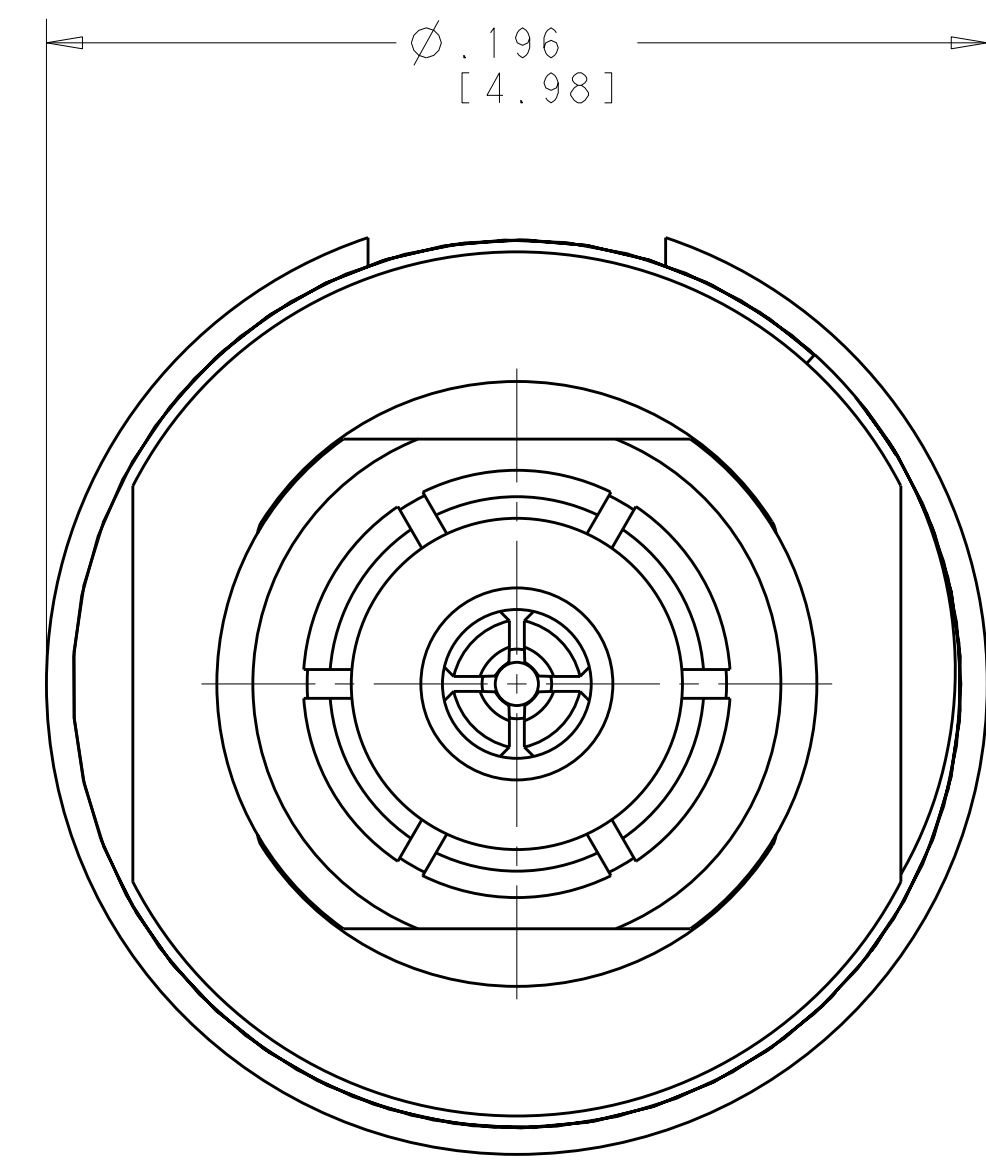
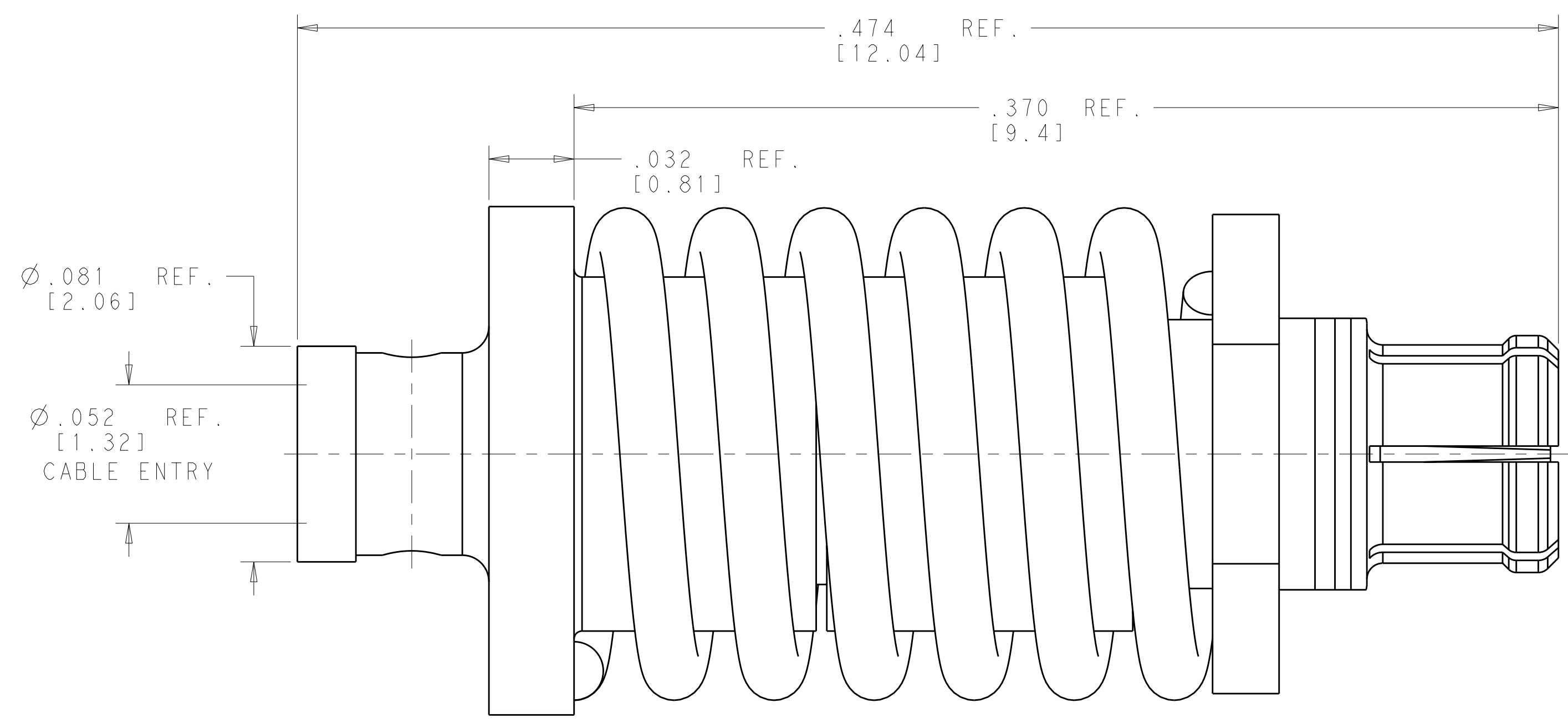
△ MATERIAL:
 BODY & CENTER CONTACT - BERYLIUM COPPER,
 ALLOY UNS C17300 CONDITION T04, PER ASTM B196
 INSULATOR - TEFLON (PTFE) ROD, PER ASTM D 1710
 RETAINING RING - STAINLESS STEEL, PER UNS S30200
 SPRING - MUSIC WIRE, PER ASTM A228

△ FINISH:
 BODY & CENTER CONTACT - GOLD PLATE, PER ASTM B488
 OVER NICKEL PLATE, PER SAE-ASM-QQ-N-290
 RETAINING RING - PASSIVATED
 SPRING - NICKEL PLATED, PER SAE-ASM-QQ-N-290

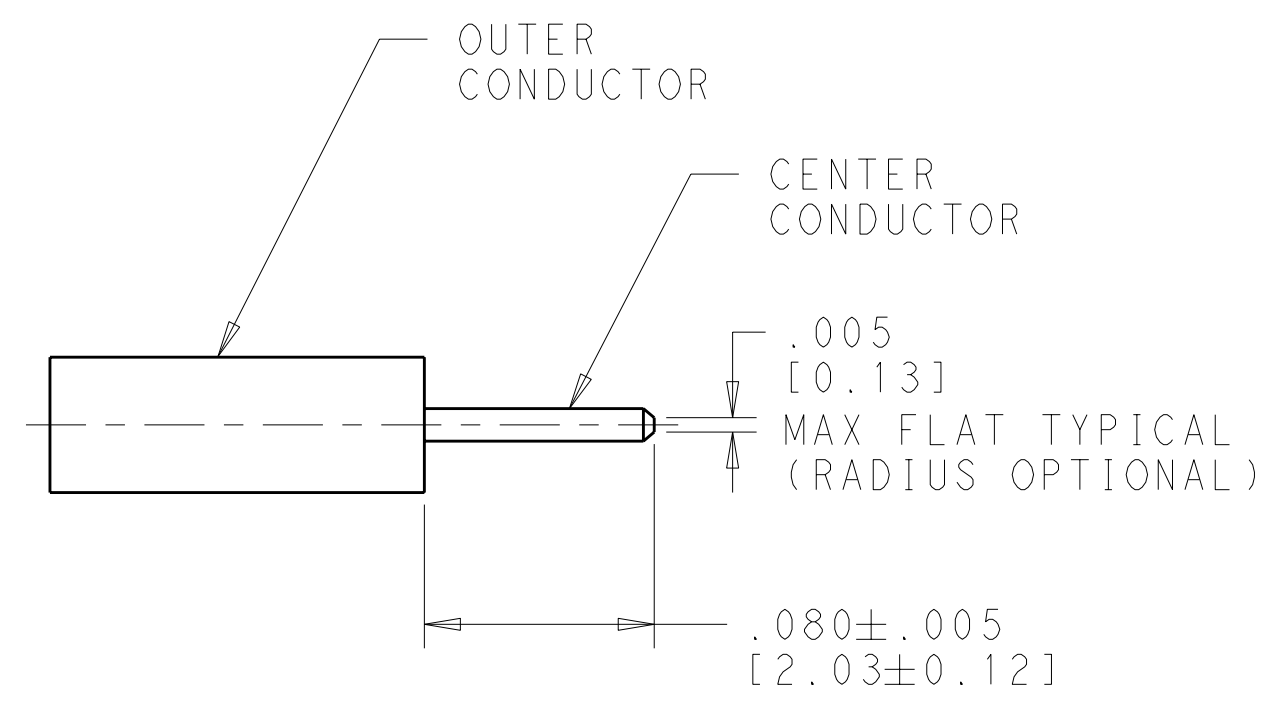
3. SPRING FORCE:
 PRELOAD = 2.35 ± .25 LBF
 FORCE AT .052 DEFLECTION = 3.60 ± .25 LBF
 MINIMUM FULL DEFLECTION = .078 [2.0]



SCALE 15:1



CABLE PREPARATION FOR Ø.047 FLEXIBLE CABLES



CABLE PREPARATION FOR Ø.047 SEMI-RIGID & CONFORMABLE CABLES

1996771-1
 PART NO.

THIS DRAWING IS A CONTROLLED DOCUMENT.		DWN S.T. Morley 20MAY2008	TE Connectivity
DIMENSIONS: INCHES[mm]		CHK S.T. Morley 20MAY2008	
TOLERANCES UNLESS OTHERWISE SPECIFIED:		APVD S.T. Morley 20MAY2008	NAME SMPM STRAIGHT CABLE JACK (F) FLOATING PANEL MOUNT - FOR USE WITH .047 DIA. AND SIMILAR CABLES
0 PLC ±	1 PLC ±	PRODUCT SPEC	SIZE CAGE CODE DRAWING NO. RESTRICTED TO
2 PLC ±	3 PLC ±	APPLICATION SPEC	A100779C=1996771
4 PLC ±	5 PLC ±	408-10373	WEIGHT
ANGLES ±	FINISH ±1.0°	CUSTOMER DRAWING	SCALE 25:1 SHEET 1 OF 1 REV H