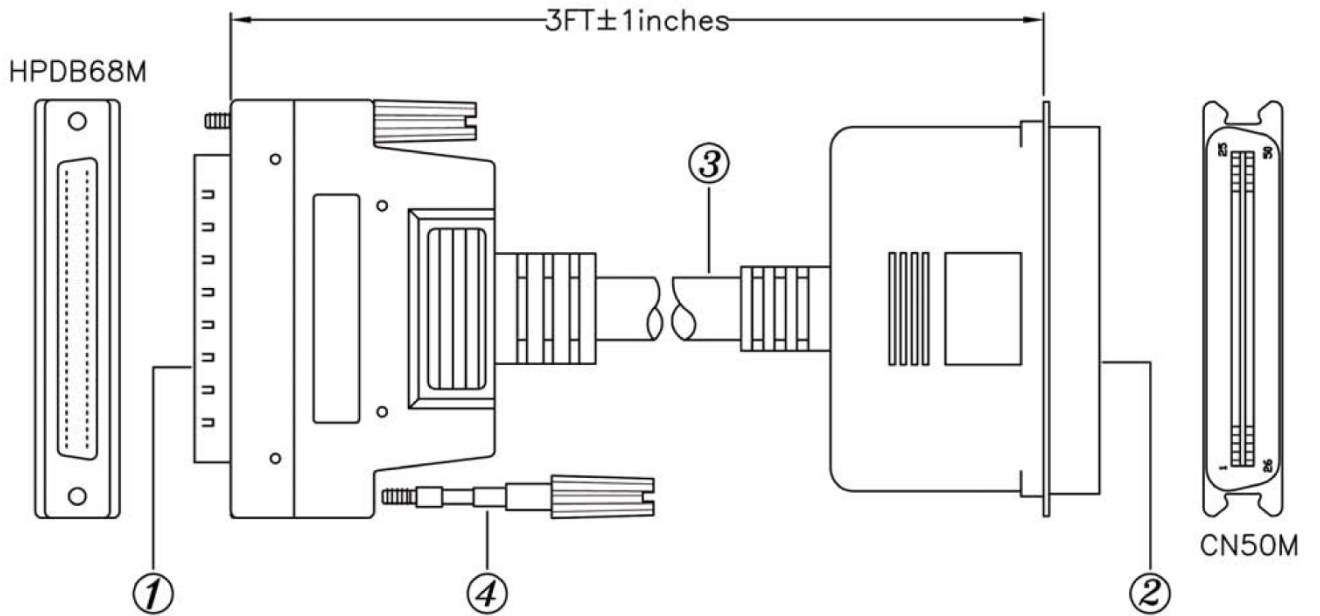
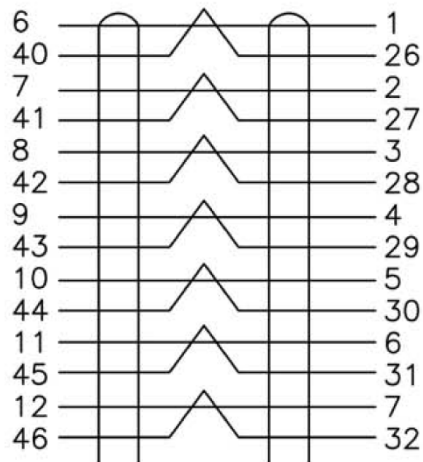


CONFIGURATION:  
HPDB68M



MAT'L:

1. CABLE: #28, UL2919, 25P+1+AL/MY+B, O.D:9.5(I.D:0.75mm)
2. CONNECTOR: HPDB68M, PIN  
CN50M, BLACK
3. THUMBSCREW: #2-56UNC
4. COPPER TAPE: (10\*135)+(35\*110)  
42\*140

NOTE:

1. TOTAL LENGTH: 3FT±1inches  
CABLE CUT: 3FT+5CM
2. COLOR: BEIGE
3. MOLDED TYPE
4. ROHS COMPLIANT

**RoHS**  
Compliant

ITEM NO

**AK-Y1302 (3 Feet)**

TITLE

**Centronics 50 Pin Male to  
D-Sub 68 Pin Male, Half Pitch (HP)**

**ASSMANN**  
Electronics, Inc.

1840 W. Drake Drive, Suite 101 - Tempe, AZ 85283

Toll Free: 1-877-277-6266 Email: info@usa-assmann.com

THIS DRAWING IS UNPUBLISHED

©Copyright 2008 by Assmann Electronic Components  
All International Rights Reserved