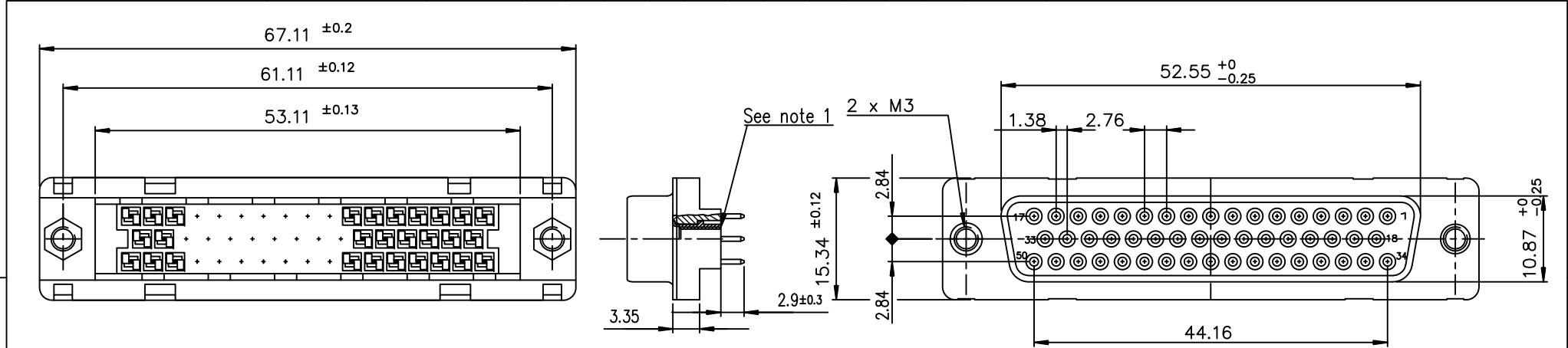




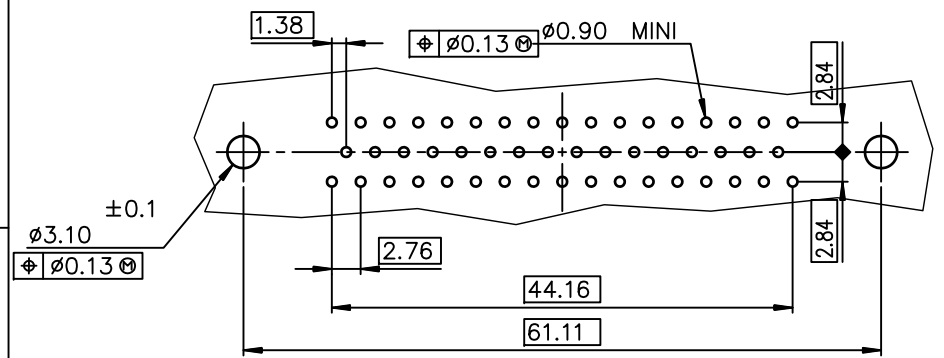
FCconnect.com

Copyright FCJ

D



**PC CARD DRILLING DIMENSIONS**  
Thickness 1.6 mm



GENERAL CHARACTERISTICS AND ROHS INFORMATIONS:  
SEE DRAWING C01-8646-0000

**LEAD FREE PART NUMBER**

Part number: **D50S24A\*PL00LF**

Plating: 4 --> flash AU  
Plating: 6 --> 0.76 μ AU

**Notes:**

1) The nut can protrude above the surface of insulator but maintaining the footprint dimension 6.0 ±0.15 mm.

mat'l. code		surface		tolerance		projection		product family	
-		ISO 1302		ISO 406 ISO 1101		MM		D-SUB	
Ltr	ecn no	dr	date	angles	linear	MM		title	
A	-	BOU	1997/11/05			scale 2:1		FEMALE CONNECTOR DELTA D 50-EUROPE	
B	LS05-001	MPE	2005/03/14					dwg no	
C	LS06-0095	LGO	2006/07/22	±2'				sheet 1 of 1	
D	ELX-I-15385	MP	2013/07/31	dr	BOUTTIER	1997/11/05		size	
E	ELX-I-21256	AB	2015/07/14	engr	MITHUN PAUL	2013/07/31		A3	
-	-	-	-	chr	MITHUN PAUL	2013/07/31		type	
-	-	-	-	appd	BIJU K PAUL	2013/07/31		Product Customer Drawing	
sheet index	revision	E							
	sheet	1							