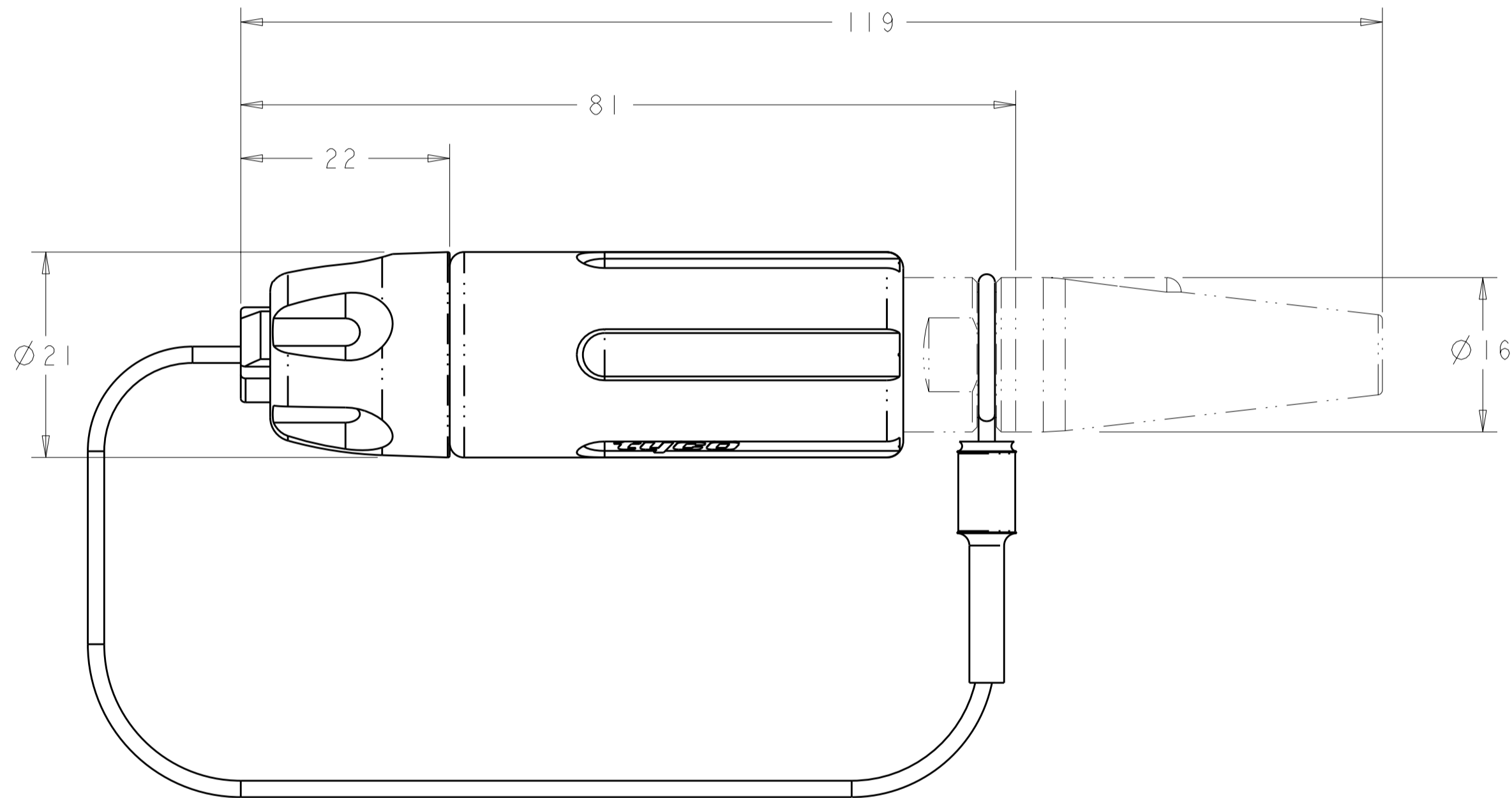


THIS DRAWING IS UNPUBLISHED. RELEASED FOR PUBLICATION 20
 © COPYRIGHT 20 BY TYCO ELECTRONICS CORPORATION. ALL RIGHTS RESERVED.

LOC	DIST	REVISIONS					
CE	16	P	LTR	DESCRIPTION	DATE	DWN	APVD
			B	ECR-09-000220	06JAN2009	KG	DW

- ASSEMBLY SHOWN FOR REFERENCE ONLY. SHIPPED LOOSE PIECE AS SHOWN ON PAGE 2.
- ALL ASSEMBLY DIMENSION ARE FOR REFERENCE ONLY.
- COMPLETE THE CONNECTOR ASSEMBLY BY ADDING EACH OF THE FOLLOWING PRO BEAM MINI KITS:
 - EXPANDED BEAM INSERT ASSEMBLY KIT
 - CABLE ADAPTER KIT, SIZED TO THE CABLE JACKET DIAMETER
 - FERRULE KIT, ONE PER FIBER
- THIS PRODUCT HAS NOT COMPLETED VALIDATION TESTING.



SHOWN WITH CABLE ADAPTER KIT INSTALLED
 AS PHANTOM LINES FOR VISUAL AND DIMENSIONAL REFERENCE

FLUROSILICONE	NICKEL ALUMINUM BRONZE	1828698-4
	ALUMINUM	1828698-3
EPDM	NICKEL ALUMINUM BRONZE	1828698-2
	ALUMINUM	1828698-1
GRIP RING RUBBER	HOUSING ALLOY	PART NUMBER

DIMENSIONS:		TOLERANCES UNLESS OTHERWISE SPECIFIED:		DWN		Tyco Electronics	
mm	0 PLC ±	1 PLC ±	2 PLC ±	20 JUN 2005	Tyco Electronics		
	3 PLC ±	4 PLC ±	ANGLES ±	24 JUN 2005	Harrisburg, PA 17105-3608		
	FINISH	HARD ANODIZE (AI ONLY)		24 JUN 2005	NAME		
MATERIAL	CUSTOMER DRAWING		SCALE	2:1		SHEET 1 OF 2	
NAME: CONNECTOR SHELL KIT, PLUG PRO BEAM MINI SIZE: A200779 CAGE CODE: C-1828698 DRAWING NO: 1828698		RESTRICTED TO		REV B			

THIS DRAWING IS UNPUBLISHED. RELEASED FOR PUBLICATION 20
 © COPYRIGHT 20 BY TYCO ELECTRONICS CORPORATION. ALL RIGHTS RESERVED.

LOC	DIST	REVISIONS			
P	LTR	DESCRIPTION	DATE	DWN	APVD
		SEE SHEET 1			

1. SHIPPED LOOSE PIECE AS SHOWN.
 2 TETHER ATTACHING LOOP TO BE COMPLETED ONTO CONNECTOR DURING TERMINATION ASSEMBLY.

COLLET SLEEVE
 -1 & -3: ALUMINUM ALLOY
 -2 & -4: NiAl BRONZE

FRONT HOUSING
 -1 & -3: ALUMINUM ALLOY
 -2 & -4: NiAl BRONZE

COLLET NUT
 -1 & -3: ALUMINUM ALLOY
 -2 & -4: NiAl BRONZE

FRONT SEAL (INSTALLED)
 MAT'L: FLUROSILICONE

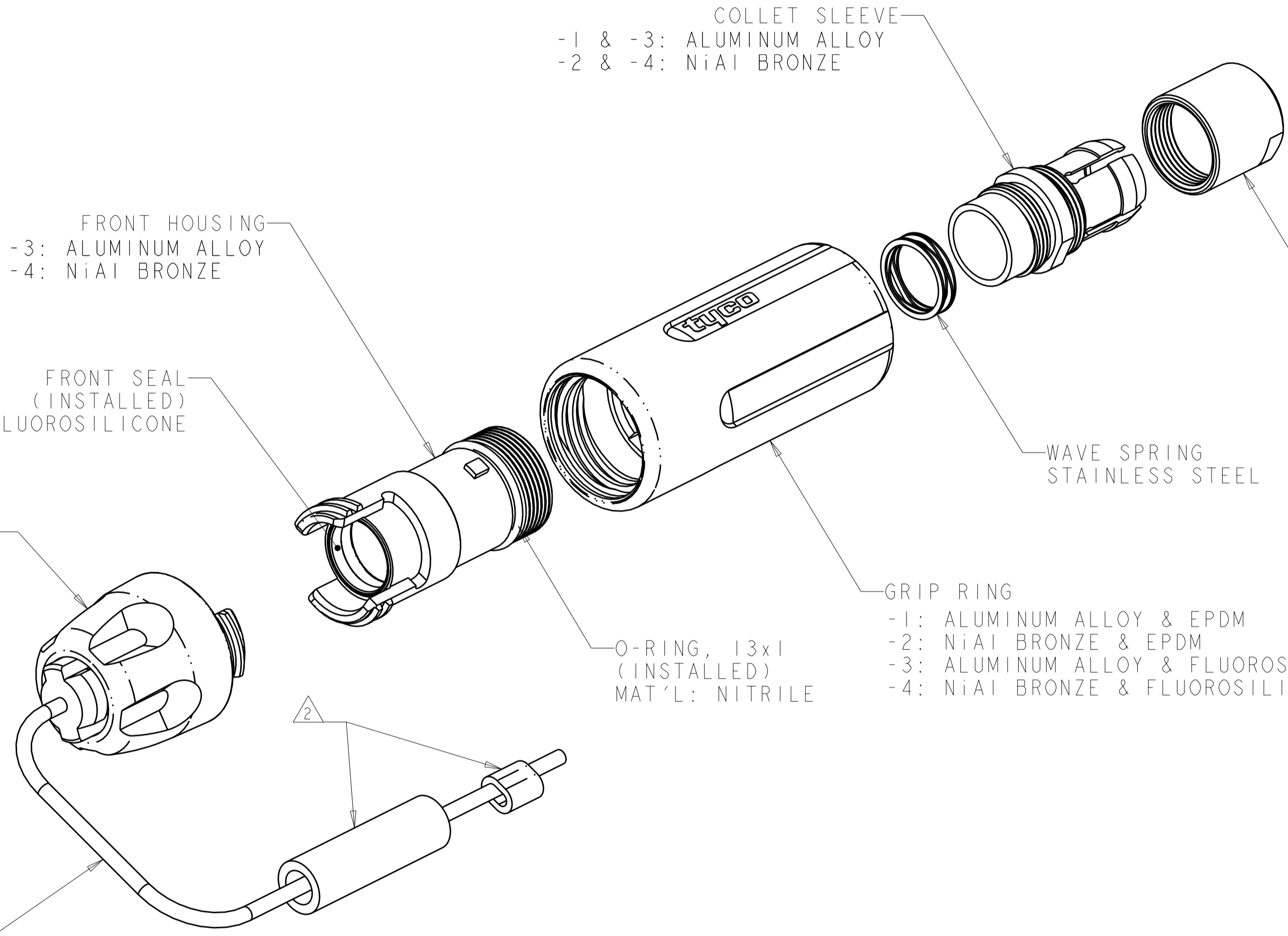
WAVE SPRING
 STAINLESS STEEL

PROTECTIVE CAP
 MAT'L: THERMOPLASTIC

GRIP RING
 -1: ALUMINUM ALLOY & EPDM
 -2: NiAl BRONZE & EPDM
 -3: ALUMINUM ALLOY & FLUROSILICONE
 -4: NiAl BRONZE & FLUROSILICONE

O-RING, 13x1 (INSTALLED)
 MAT'L: NITRILE

TETHER
 MAT'L: PLASTICOATED STEEL WIRE



<small>THIS DRAWING IS A CONTROLLED DOCUMENT FOR TYCO ELECTRONICS CORPORATION. IT IS SUBJECT TO CHANGE AND THE CONTROLLING ENGINEERING ORGANIZATION SHOULD BE CONTACTED FOR THE LATEST REVISION.</small>		DWN 20 JUN 2005 K. GLATFELTER CHK 24 JUN 2005 D. WERTMAN APVD 24 JUN 2005 D. WERTMAN	Tyco Electronics Harrisburg, PA 17105-3608
DIMENSIONS: mm 	TOLERANCES UNLESS OTHERWISE SPECIFIED: 0 PLC ± 1 PLC ± 2 PLC ± 3 PLC ± 4 PLC ± ANGLES ± FINISH HARD ANODIZE (A1 ONLY)	PRODUCT SPEC APPLICATION SPEC WEIGHT CUSTOMER DRAWING	NAME CONNECTOR SHELL KIT, PLUG PRO BEAM MINI SIZE A200779 CAGE CODE C-1828698 DRAWING NO. SCALE 2:1 SHEET 2 OF 2 REV B