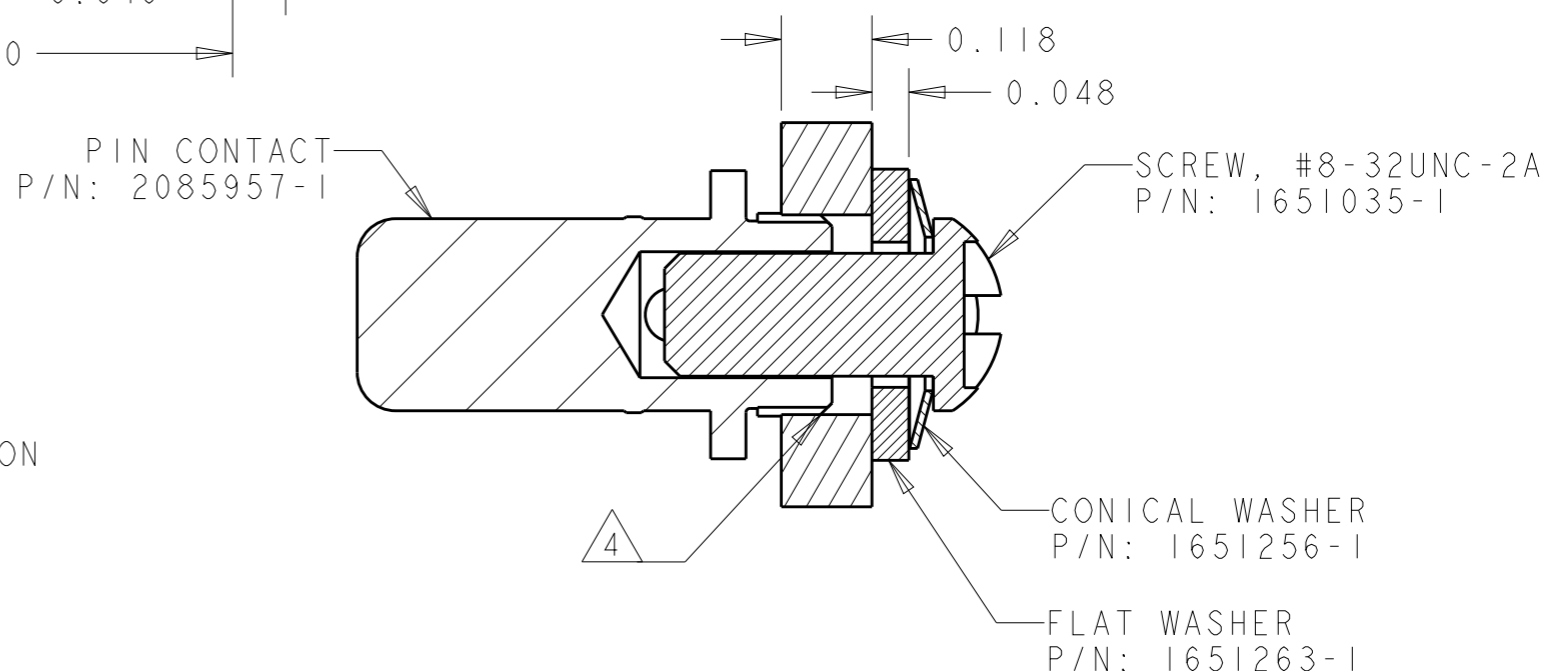
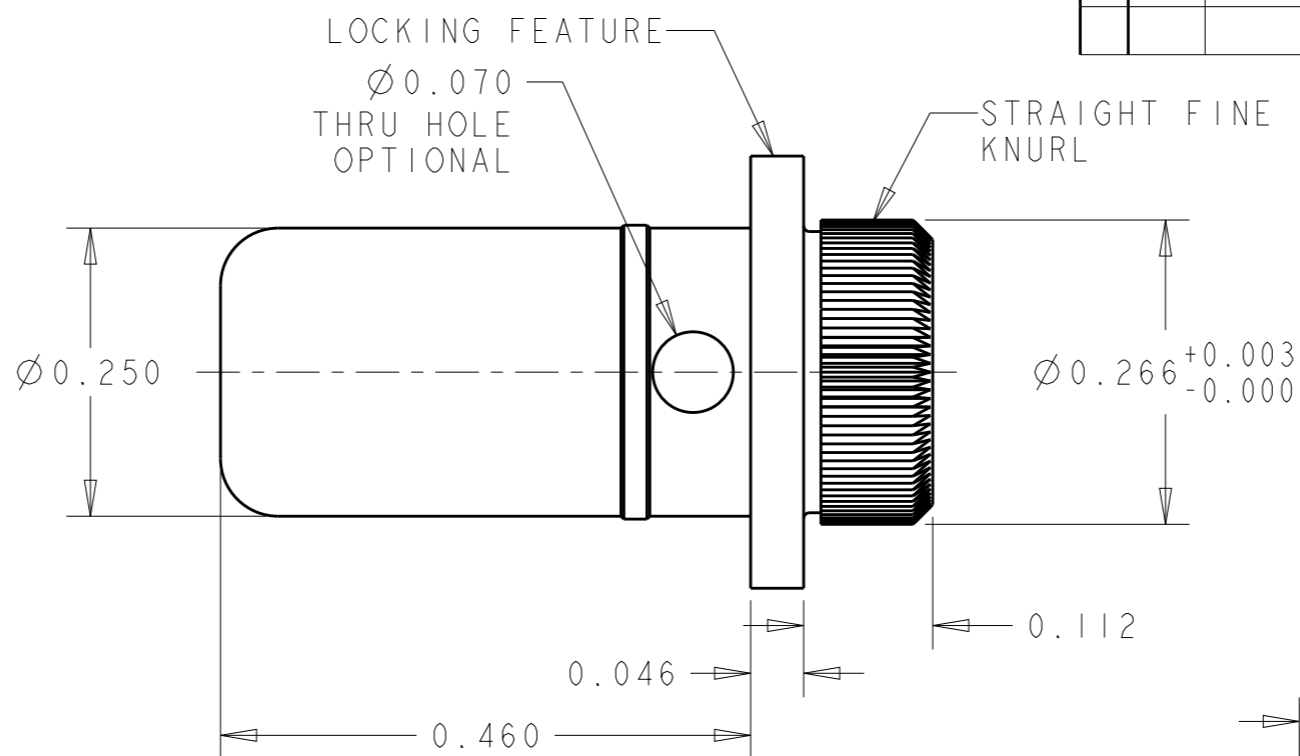
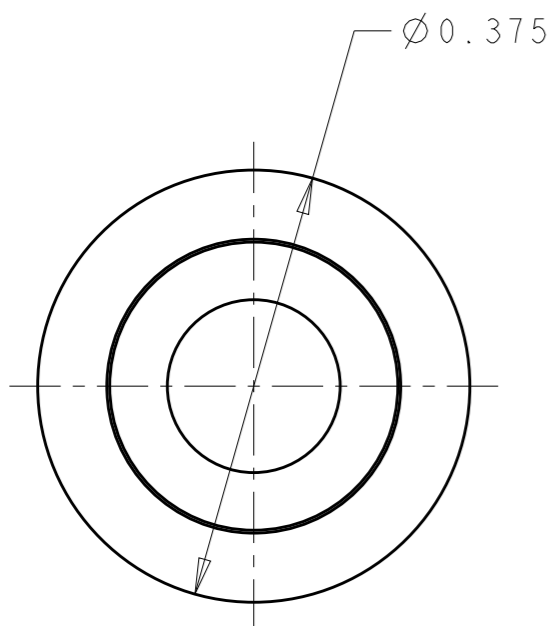


P	LTR	DESCRIPTION	DATE	DWN	APVD
	A	RELEASED	01DEC2011	RG	DO
	B	REVISED PER ECR-16-001405.	01FEB2016	RS	SZ



1. ITEMS PROVIDED TO THIS SPECIFICATION SHALL BE IDENTIFIED ON THE CONTAINER WITH THE FOLLOWING INFORMATION:
PART NUMBER & DATE CODE OF MANUFACTURE.


2 MATERIAL: PIN CONTACT: COPPER ALLOY
CONICAL WASHER: SPRING STEEL
SCREW & FLAT WASH.: STEEL

3 FINISH: PIN CONTACT: SILVER PLATE .000100 MIN THICK
OVER NICKEL .000050 MIN THICK.
SCREW: NICKEL PLATE
CONICAL & FLAT WASH.: NICKEL PLATE

4 RECOMMENDED HOLE DIAMETER AFTER PLATING:
 $\varnothing .260^{+0.003}_{-.001}$.

ASSEMBLY DETAIL

2085958-1
PART NUMBER

THIS DRAWING IS A CONTROLLED DOCUMENT.		DWN R.GRZYBOWSKI 30NOV2011	 TE Connectivity	
DIMENSIONS: INCHES		CHK D.ORRIS 30NOV2011		
TOLERANCES UNLESS OTHERWISE SPECIFIED:		APVD D.ORRIS 30NOV2011	NAME PIN CONTACT, SIZ4 #4, SCREW MOUNT, LOCKING STYLE, PRESS FIT	
0 PLC $\pm .$		PRODUCT SPEC 108-64019	SIZE A3	
1 PLC $\pm .$		APPLICATION SPEC 114-64005	CAGE CODE 00779	DRAWING NO C-2085958
2 PLC $\pm .02$		WEIGHT -	RESTRICTED TO -	
3 PLC $\pm .010$		CUSTOMER DRAWING		
4 PLC $\pm .$		SCALE 1:1		
ANGLES $\pm .5$		SHEET 1 OF 1		
FINISH		REV B		