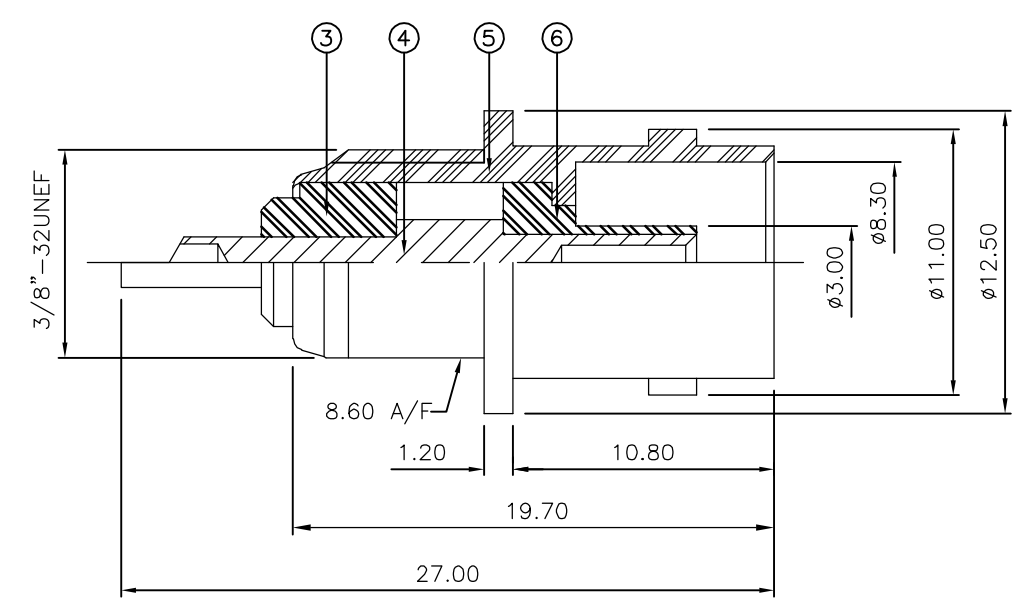
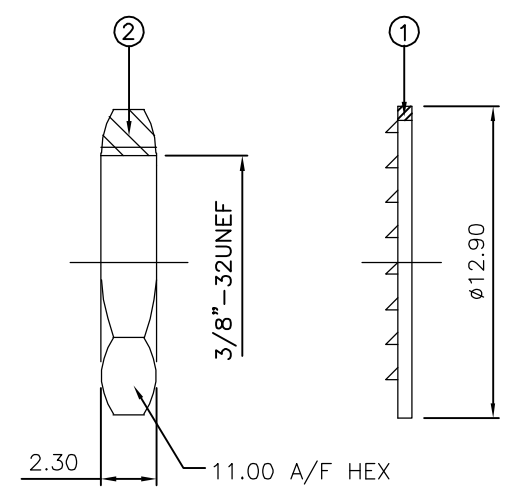


THIS DRAWING IS UNPUBLISHED. RELEASED FOR PUBLICATION JAN ,2006.  
 © COPYRIGHT 2006 BY TYCO ELECTRONICS CORPORATION. ALL RIGHTS RESERVED.

LOC	DIST	REVISIONS					
E	B	P	LTR	DESCRIPTION	DATE	DWN	APVD
		C		ECR-06-001518	25JAN06	JMS	FWK

- NOTES:**
- ① PACK IN ACCORDANCE WITH AMP SPEC 107-3275
  - ② 100 TRAY PACK IN ACCORDANCE WITH AMP SPEC 107-3275
  - ③ Au PLATING
  - ④ Ni PLATING
- 5 ELECTRICAL CHARACTERISTICS
- |                               |                            |
|-------------------------------|----------------------------|
| FREQUENCY RANGE:              | DC - 2 GHz                 |
| NOMINAL IMPEDANCE:            | 75 Ohm                     |
| INSULATION RESISTANCE:        | 5000 MOhm                  |
| WORKING VOLTAGE:              | 500 Volts RMS at Sea Level |
| DIELECTRIC WITHSTAND VOLTAGE: | 1500 Volts RMS Max         |
| CONTACT RESISTANCE:           |                            |
| CENTRE CONTACT:               | 1.50 mOhm Max              |
| OUTER CONTACT:                | 0.20 mOhm Max              |
| VSWR @ xGHz:                  | N/A                        |
| INSERTION LOSS xdb:           | N/A                        |
- 6 MECHANICAL CHARACTERISTICS
- |                               |                |
|-------------------------------|----------------|
| COUPLING RETENTION FORCE:     | N/A            |
| CABLE RETENTION FORCE:        | N/A            |
| MOUNT NUT RECOMMENDED TORQUE: | 2.5N           |
| DURABILITY:                   | 500 Cycles Min |
- 7 ENVIRONMENTAL CHARACTERISTICS
- |                        |                  |
|------------------------|------------------|
| OPERATING TEMPERATURE: | -65 to +165 DegC |
|------------------------|------------------|



QTY	QTY PER ASSY	MATERIAL	DESCRIPTION	ITEM
1	1	PTFE	INSULATION	6
1	1	BRASS	④ BODY	5
1	1	BRASS	③ CONTACT	4
1	1	PTFE	INSULATION	3
1	1	BRASS	④ HEX NUT	2
1	1	STEEL	④ LOCKWASHER	1
6--0	1--0			
④	④			

THIS DRAWING IS A CONTROLLED DOCUMENT.		DWN J.SANDWELL 25JAN06	Tyco Electronics Corporation Bideford EX39 4HE													
DIMENSIONS: mm		CHK S.PARLOW 25JAN06														
TOLERANCES UNLESS OTHERWISE SPECIFIED:		APVD F.WHEELER-KING 25JAN06	NAME BNC BULKHEAD SOCKET FRONT MOUNT 75 OHM LESS SOLDER TAG													
<table border="0"> <tr><td>0 PLC</td><td>± -</td></tr> <tr><td>1 PLC</td><td>± -</td></tr> <tr><td>2 PLC</td><td>± -</td></tr> <tr><td>3 PLC</td><td>± -</td></tr> <tr><td>4 PLC</td><td>± -</td></tr> <tr><td>ANGLES</td><td>± -</td></tr> </table>		0 PLC	± -	1 PLC	± -	2 PLC	± -	3 PLC	± -	4 PLC	± -	ANGLES	± -	PRODUCT SPEC -	SIZE A3	
0 PLC	± -															
1 PLC	± -															
2 PLC	± -															
3 PLC	± -															
4 PLC	± -															
ANGLES	± -															
MATERIAL SEE TABLE		FINISH -	APPLICATION SPEC -	CAGE CODE 00779												
		WEIGHT -	DRAWING NO C-1337528	RESTRICTED TO -												
CUSTOMER DRAWING			SCALE NTS	SHEET 1 OF 1												
			REV C													