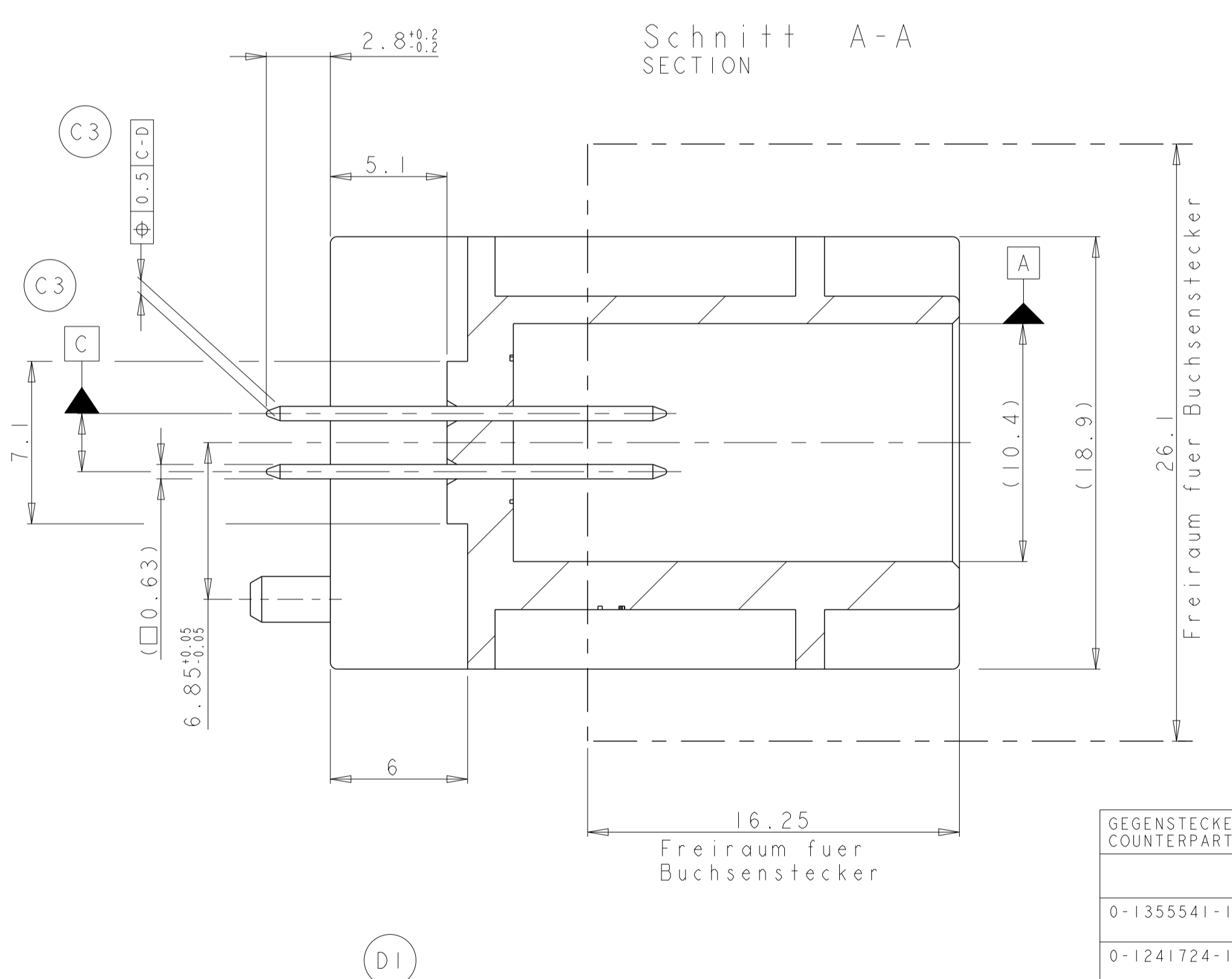
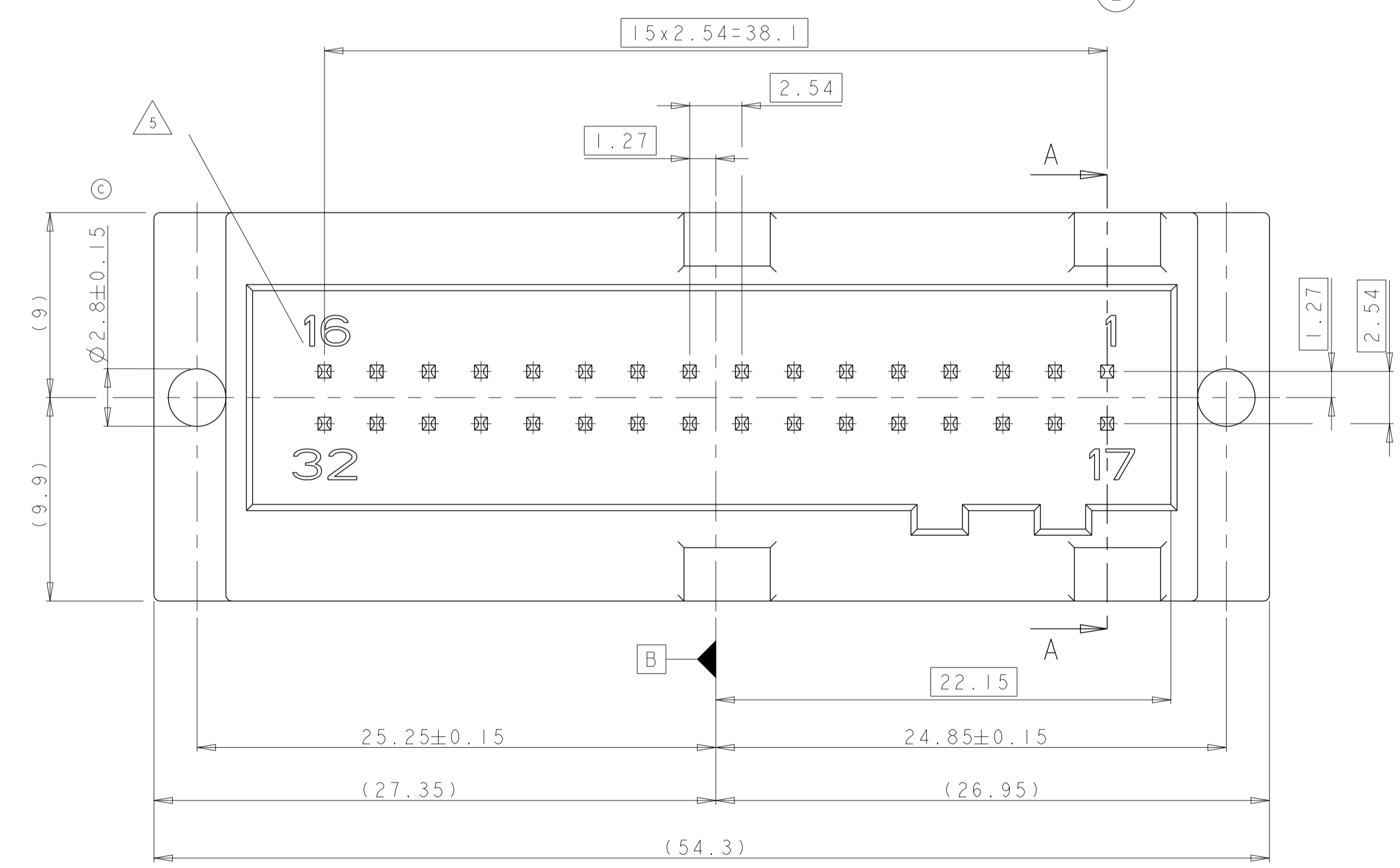
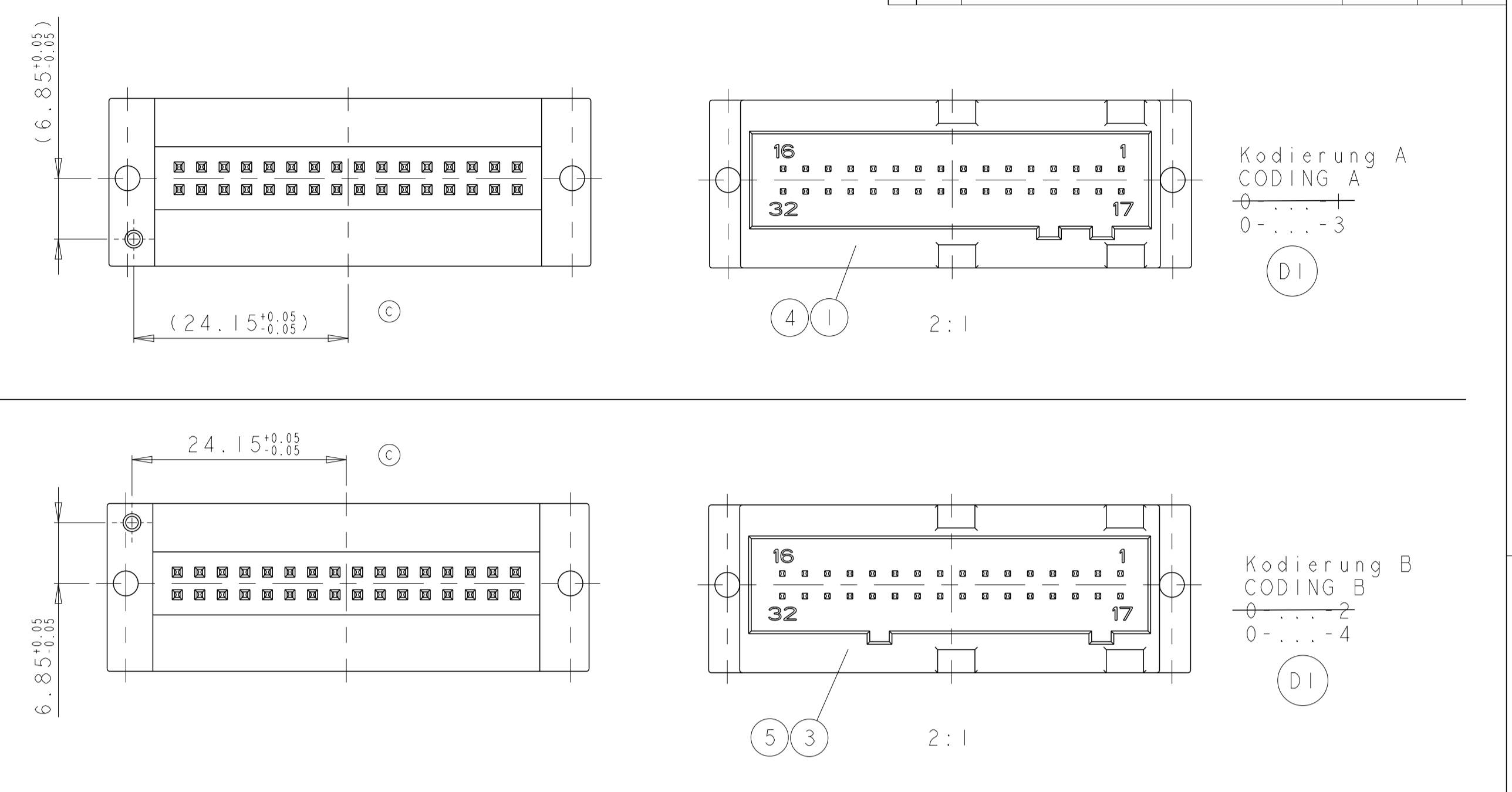
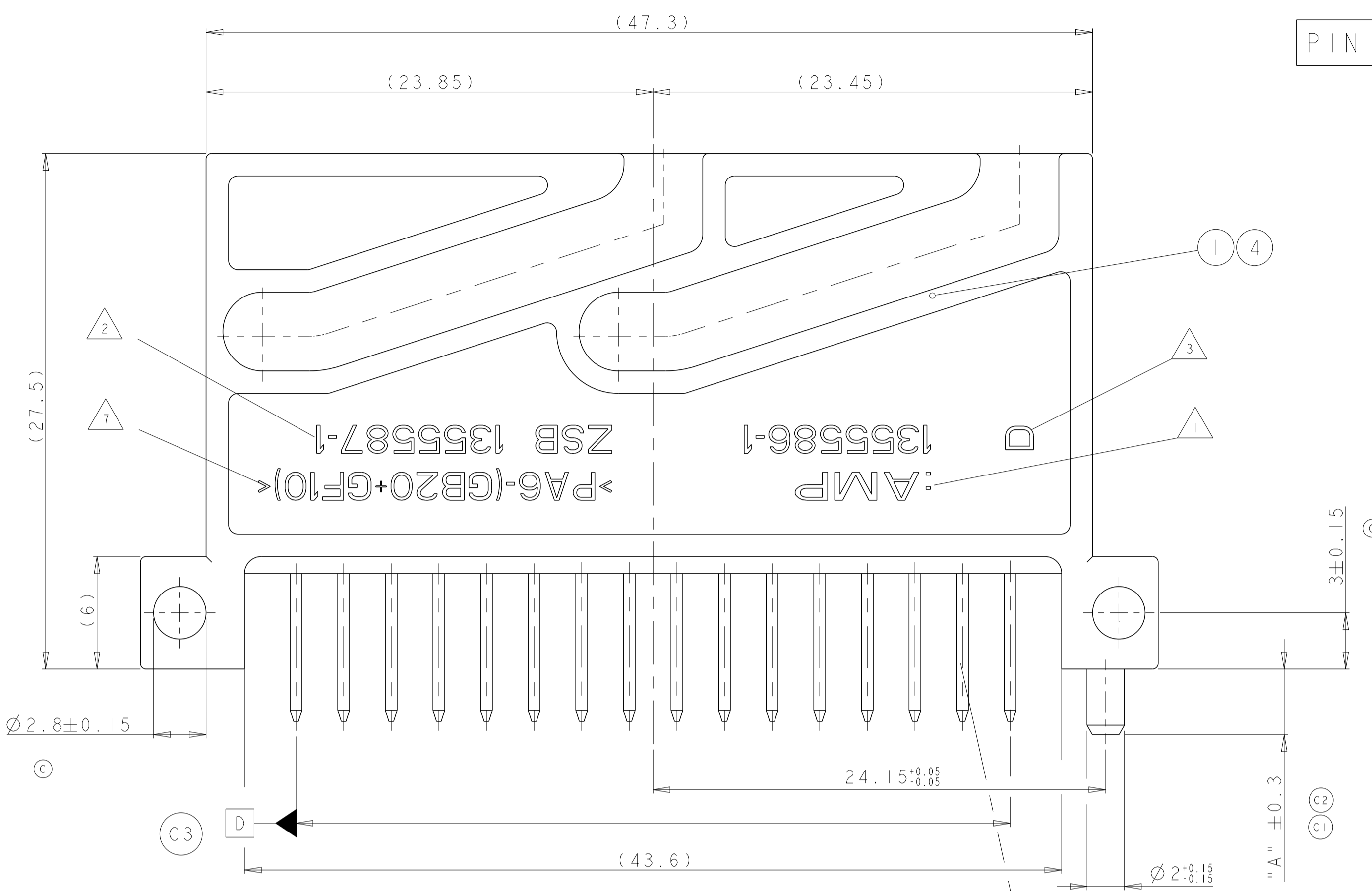


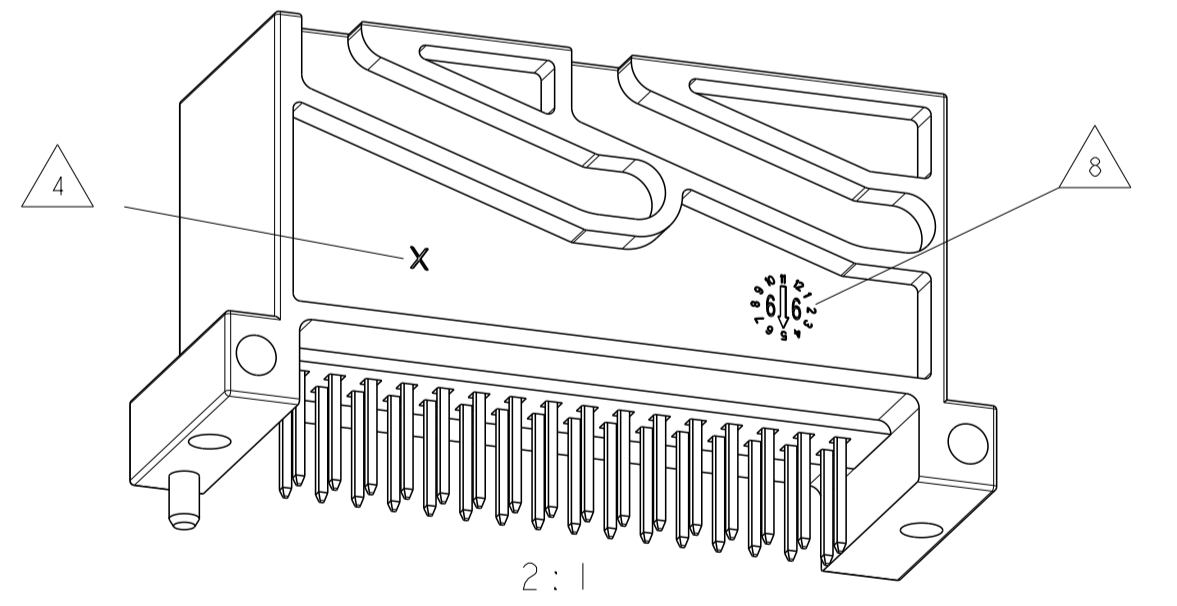
PROJEKT NO.
 A98-52279
 B916704

| REVISIONS | | | | | |
|-----------|-----|--|-----------|------|------|
| P. | LTH | DESCRIPTION | DATE | DWN | APVD |
| D2 | | PN2...-3 /-4 ADDED;CUSTOMER RESTRICTED | 13JUL2005 | HSCH | VB |
| D3 | | REV PER ECO-10-000445 | 11JAN10 | KK | AEJ |
| D4 | | SEE PCN E-15-009173 | 17JUN2015 | HS | JW |
| - | - | - | - | - | - |

PIN 180° VARIANTE



- NOTES
 Bemerkungen
- 1 AMP-LOGO or TE-LOGO
AMP-Logo oder TE-Logo
 - 2 ASSY-NO.
ZSB-Nr.
 - 3 REVISIONS-NUMBER (SINGLE PART)
Werkzeugaenderungsindex (Einzelteil)
 - 4 TOOL CAVITY MARKING
Nestmarkierung
 - 5 CAVITY MARKING
Kammernummerierung
 - D1 6 PACKAGING: LAYERS IN TRAY IN CARDBOARD BOX
Verpackung: Lageweise in Tray in Karton
 - 7 MATERIAL MARKING
Werkstoffkennzeichnung
 - 8 PRODUCTION-DATE
Produktions-Datum
 - D2 9 CUSTOMER RESTRICTED PACKAGING VERSION
Kundenspezifische Verpackungsvariante
 - 10 OBSOLETE PARTS: OBSOLETE CIS STREAMLINING
PER D.RENAUD/D.SINISI



| GEGENSTECKER COUNTERPARTS | | |
|----------------------------------|--------------|---|
| 0-1355541-1/-2 | 1 | COVER WITH SLIDE, 180° CABLEOUTLET,CODING A/B |
| 0-1241724-1/-2 | 1 | MOS-RECEPTACLE HOUSING, 32POS |
| AMP BESTELL-NR. AMP ORDER NO. | STK. QTY. | BENENNUNG DESCRIPTION |

0-...-1 AS SHOWN
 WIE GEZEICHNET

| AMP PART NO. AMP Bestell-Nr. | REV. | ASSY-NO. ZSB-Nr. | DIM. "A" | DESCRIPTION Beschreibung | QTY. Stck. | MATERIAL | SURFACE COLOR | ITEM NO. |
|---------------------------------|------|---------------------|-------------|-----------------------------|---------------|-----------------|------------------|-------------|
| 2-1355587-4 | A | ZSB 1355587 | 1.6 | AMP MODU II PIN | 32 | CuSn6 | TIN PLATED | 2 |
| | | | | PIN HEADER 32POS., COD. B | 1 | PA6-(GB20+GF10) | BLUE | 5 |
| 2-1355587-3 | A | ZSB 1355587 | 1.6 | AMP MODU II PIN | 32 | CuSn6 | TIN PLATED | 2 |
| | | | | PIN HEADER 32POS., COD. A | 1 | PA6-(GB20+GF10) | BLACK | 4 |

| AMP PART NO. AMP Bestell-Nr. | REV. | ASSY-NO. ZSB-Nr. | DIM. "A" | DESCRIPTION Beschreibung | QTY. Stck. | MATERIAL | SURFACE COLOR | ITEM NO. |
|---------------------------------|------|---------------------|-------------|-----------------------------|---------------|-----------------|------------------|-------------|
| 0-1355587-4 | B | ZSB 1355587 | 1.6 | AMP MODU II PIN | 32 | CuSn6 | TIN PLATED | 2 |
| | | | | PIN HEADER 32POS., COD. B | 1 | PA6-(GB20+GF10) | BLUE | 5 |
| 0-1355587-3 | B | ZSB 1355587 | 1.6 | AMP MODU II PIN | 32 | CuSn6 | TIN PLATED | 2 |
| | | | | PIN HEADER 32POS., COD. A | 1 | PA6-(GB20+GF10) | BLACK | 4 |
| 0-1355587-2 | D | ZSB 1355587-2 | 3.5 | AMP MODU II PIN | 32 | CuSn6 | TIN PLATED | 2 |
| | | | | PIN HEADER 32POS., COD. B | 1 | PA6-(GB20+GF10) | BLUE | 3 |
| 0-1355587-1 | D | ZSB 1355587-1 | 3.5 | AMP MODU II PIN | 32 | CuSn6 | TIN PLATED | 2 |
| | | | | PIN HEADER 32POS., COD. A | 1 | PA6-(GB20+GF10) | BLACK | 1 |

THIS DRAWING IS A CONTROLLED DOCUMENT.

DIMENSIONS: mm

TOLERANCES UNLESS OTHERWISE SPECIFIED:

| | |
|--------|------|
| 0 PLC | ±0.3 |
| 1 PLC | ±0.3 |
| 2 PLC | ±0.3 |
| 3 PLC | ±0.3 |
| 4 PLC | ±0.3 |
| ANGLES | ±° |

MATERIAL: SEE TABLE

Customer Drawing

DWN: J. Juin 24JUN99
 CHK: H. Schmitt 24JUN99
 APVD: -

NAME: AMP MODU II PIN HEADER 32POS.
 AMP MODU II Stiftwanne 32pol.

SIZE: A1 CAGE CODE: - DRAWING NO: C=1355587 RESTRICTED TO: -

SCALE: 5:1 SHEET: 1 OF 2 REV: D4

