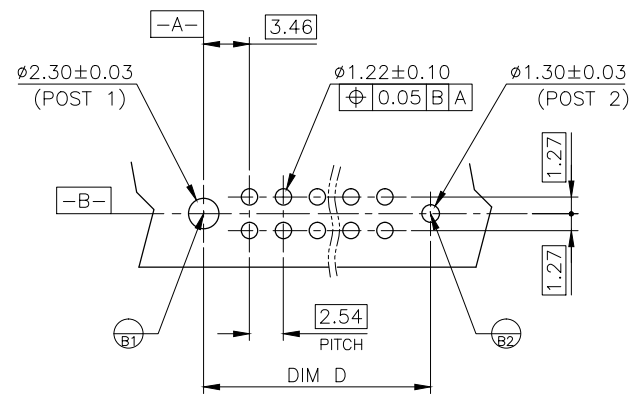
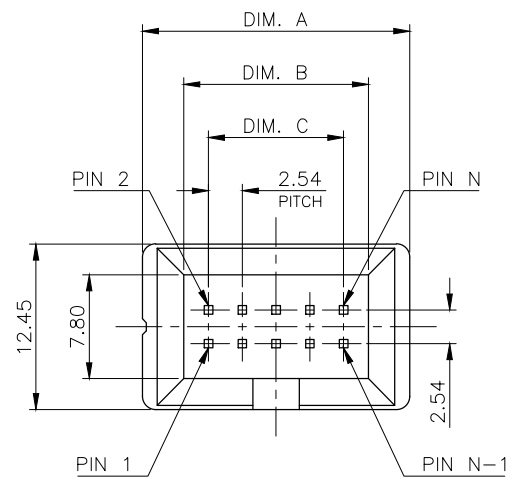


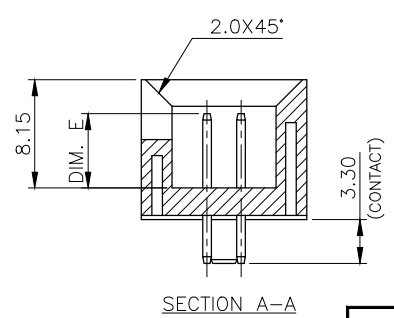
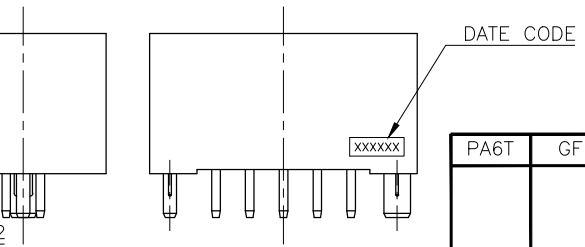
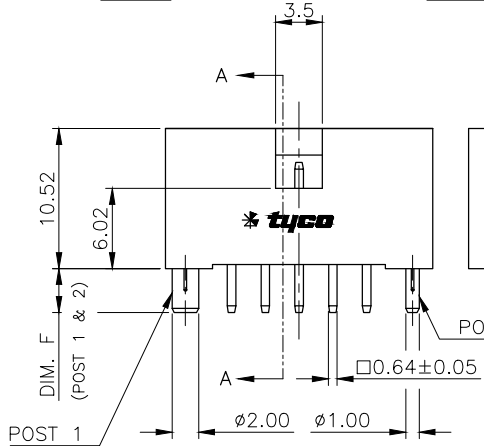
THIS DRAWING IS UNPUBLISHED. RELEASED FOR PUBLICATION  
 © COPYRIGHT 2010 BY TYCO ELECTRONICS CORPORATION. ALL RIGHTS RESERVED.

LOC		DIST		REVISIONS				
P	LTR	DESCRIPTION			DATE	DWN	APVD	
C2		REVISED(ECR-14-007434), ADD PN 2-1759500-4			19MAY14	S.C.	H.L.	

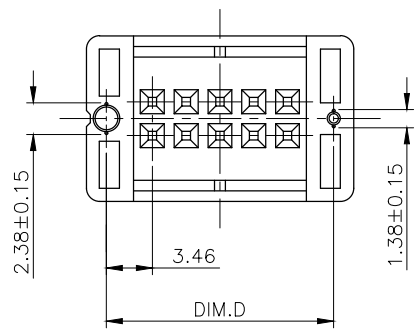


RECOMMENDED PCB LAYOUT (CONNECTOR MOUNT SIDE)  
 TOLERANCE: ±0.05, PCB THICKNESS: 1.6mm

- NOTE:
- MATERIAL:  
 HOUSING: SEE TABLE(PA46, UL94 V-0, COLOR: BLACK.  
 OR PA6T, HF, UL94 V-0, COLOR:BLACK)  
 CONTACTS: BRASS.
  - FINISH:  
 SEE TABLE.  
 (CONTACTS: 2.03um [80u"] MIN. MATTE-TIN PLATING ALL OVER  
 1.27um [50u"] MIN. NICKEL UNDERPLATED OVERALL.  
 OR  
 CONTACTS: GOLD FLASH PLATING ALL OVER  
 1.27um [50u"] MIN. NICKEL UNDERPLATED OVERALL.)
  - WAVE SOLDER CAPABLE TO 265°C PER TEST SPEC.  
 109-202, CONDITION B.
  - PIN NO.4 IS 5.60mm AND THE OTHERS ARE 5.10mm.
  - WEIGHT: SEE TABLE



PA6T	GF	6P	1.95g	WITH		3.30	5.1	12.00	5.08	8.80	15.00	2-1759500-4	
PA46	TIN	6P	1.95g	/		2.10	5.1	12.00	5.08	8.80	15.00	1-1759500-4	
		4P	1.67g	/			5.1	9.46	2.54	6.26	12.50	1-1759500-1	
		10P		WITH			5.1	17.08	10.16	13.88	20.10		
		8P	2.07g	/			5.1	14.54	7.62	11.34	17.50	1759500-8	
			2.08g	WITH			5.1					1759500-7	
		6P	1.90g	/			4	5.1	12.00	5.08	8.80	15.00	1759500-6
			1.90g	/				5.1					1759500-5
			1.95g	WITH				5.1					1759500-4
		4P	1.67g	/			4	5.1	9.46	2.54	6.26	12.50	1759500-3
			1.67g	/				5.1					1759500-2
				WITH	WITH		5.1						
HSG MAT'L	CONT. Plated	N(POS.)	N.W	POST 2	POST 1	DIM. F	DIM.E	DIM. D	DIM. C	DIM. B	DIM. A	PART NUMBER	



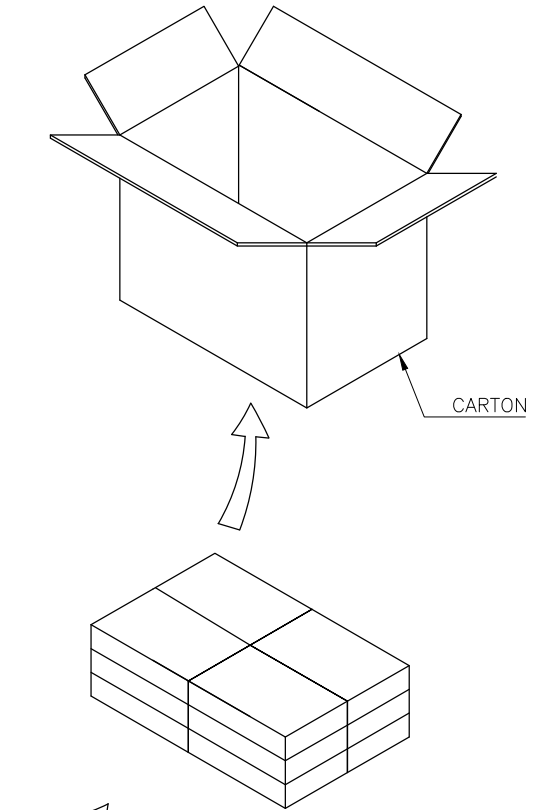
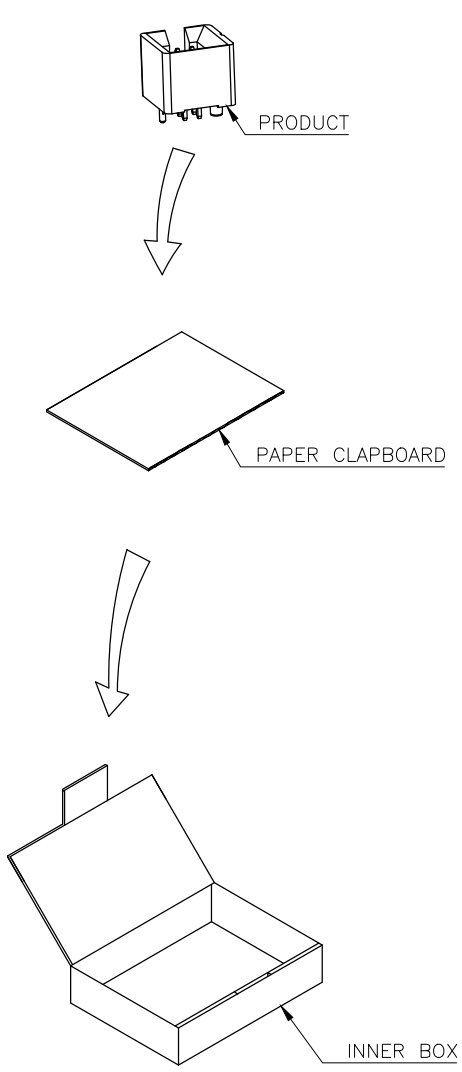
THIS DRAWING IS A CONTROLLED DOCUMENT.

DIMENSIONS: mm	TOLERANCES UNLESS OTHERWISE SPECIFIED: 0 PLC ± - 1 PLC ± 0.3 2 PLC ± 0.2 3 PLC ± 0.15 4 PLC ± - ANGLES ± 3'	DWN B. HSING 25JUN2009 CHK S. CHIEN 25JUN2009 APVD W. KODAMA 25JUN2009	NAME
		PRODUCT SPEC 108-99100	BLIND MATE BOX HEADER
MATERIAL SEE NOTE	FINISH SEE NOTE	WEIGHT SEE TABLE	SIZE A3 CAGE CODE 00779 DRAWING NO C-1759500 RESTRICTED TO
CUSTOMER DRAWING		SCALE	SHEET 1 of 2 REV C2

STE TE Connectivity

THIS DRAWING IS UNPUBLISHED. RELEASED FOR PUBLICATION  
 © COPYRIGHT 2010 BY TYCO ELECTRONICS CORPORATION. ALL RIGHTS RESERVED.

LOC	DIST	REVISIONS					
DW		P	LTR	DESCRIPTION	DATE	DWN	APVD
				SEE SHEET 1.			



- NOTES :
- MATERIAL :
    - INNER BOX : CORRUGATED FIBERBOARD
    - CARTON : CORRUGATED FIBERBOARD
  - DIMENSION : SEE TABLE
  - QUANTITY : SEE TABLE
  - WEIGHT : SEE TABLE

10.5KG	9.2KG	440x193x244	179x126x53	300PCS	3600PCS	8P
10.7KG	9.4KG	440x198x244	184x126x53	360PCS	4320PCS	6P
10.2KG	8.9KG	440x193x244	179x126x53	420PCS	5040PCS	4P
GROSS WEIGHT	NET WEIGHT	CARTON DIM. LxWxH(mm)	INNER BOX DIM. LxWxH(mm)	Q'TY/ INNER BOX	Q'TY/CARTON (12 INNER BOX)	PIN NO.

THIS DRAWING IS A CONTROLLED DOCUMENT.		DWN	<b>STE</b> TE Connectivity			
DIMENSIONS: mm		CHK				
TOLERANCES UNLESS OTHERWISE SPECIFIED:		APVD	NAME			
0 PLC ± - 1 PLC ± 0.3 2 PLC ± 0.2 3 PLC ± 0.15 4 PLC ± - ANGLES ± 3'		PRODUCT SPEC	BLIND MATE BOX HEADER			
MATERIAL		APPLICATION SPEC	SIZE	CAGE CODE	DRAWING NO	RESTRICTED TO
FINISH		WEIGHT	A3	00779	C=1759500	-
CUSTOMER DRAWING			SCALE	SHEET	2 of 2	REV C2