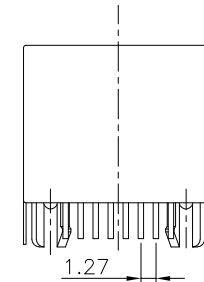
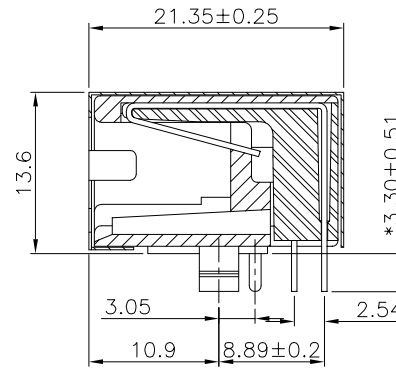
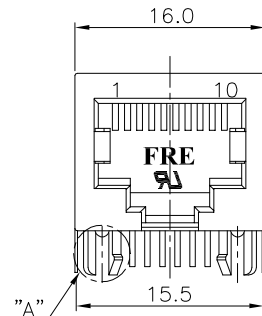


PC Board Layout T=1.6mm
Component Side Shown Tolerance±0.05mm



NOTES:

ELECTRICAL:

1. VOLTAGE RATING : 125 VAC RMS.
2. CURRENT RATING : 1.5 AMP.
3. CONTACT RESISTANCE : 35 MILLIOHMS MAX.
4. INSULATION RESISTANCE: 1000 MEGOHMS MIN @ 500 VDC.
5. DIELECTRIC STRENGTH : 1000 VAC RMS 60HZ, 1MIN.

MECHANICAL:

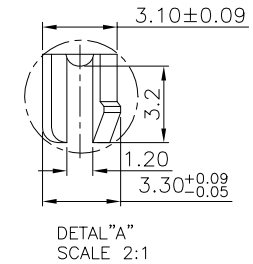
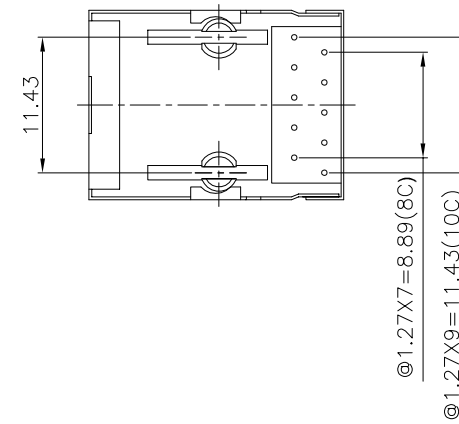
1. HOUSING MATERIAL : GLASS FILLED NYLON UL94V-0 COLOR-BLACK.
- INSERT MATERIAL : GLASS FILLED NYLON UL94V-0 COLOR-BLACK.
2. CONTACT MATERIAL : PHOSPHOR BRONZE ϕ 0.46mm.
3. PLATING : GOLD PLATING OVER NICKEL.
4. OPERATING LIFE : 750 CYCLES MIN.
5. PCB RETENTION PRE-SOLDER : 1 LB MIN.
6. PCB RETENTION POST-SOLDER : 10 LBS MIN.
7. SHIELD PLATING : NICKEL PLATING OVER BRASS .

ENVIRONMENTAL:

1. STORAGE TEMPERATURE : -40°C TO +85°C.
2. OPERATION TEMPERATURE : -40°C TO +85°C.
3. WAVE SOLDERING TEMPERATURE : 255~265°C (5~10 SECONDS)
4. RoHS COMPLIANT.

MATES WITH MODULAR PLUG CONFORMING TO
FCC PART 68, SUBPART F.
CUL FILE NO. E163191

PART NUMBER	CONTACT	GOLD PLATING
E5901-1507Q2-L	10	6u"
E5908-1507Q2-L	8	6u"
E5908-1507Q3-L	8	15u"



①1.27X7=8.89(8C)
②1.27X9=11.43(10C)

<div style="display: flex; align-items: center;"> <div style="margin-right: 10px;"> <small>DETACHED LISTS</small> </div> <div> <p>THIRD ANGLE PROJECTION</p> </div> </div>		<p>RoHS Compliant</p>											
<p>MM (INCH)</p> <p>TOLERANCES EXCEPT AS NOTED</p> <table border="1" style="font-size: 8px;"> <tr><td>.0 ± 0.2</td><td>±</td></tr> <tr><td>.00 ± 0.15</td><td>±</td></tr> <tr><td>.000 ± 0.075</td><td>±</td></tr> </table> <p>ANGLES ± 0.5</p>	.0 ± 0.2	±	.00 ± 0.15	±	.000 ± 0.075	±	<p>TITLE</p> <h2 style="text-align: center;">20.57 PCB JACK 10P</h2>		<table border="1" style="font-size: 8px;"> <tr> <td>SIZE</td> <td>REV</td> </tr> <tr> <td>A3</td> <td>0</td> </tr> </table>	SIZE	REV	A3	0
.0 ± 0.2	±												
.00 ± 0.15	±												
.000 ± 0.075	±												
SIZE	REV												
A3	0												
<p>DFTO Cathy</p> <p>DATE 2006/09/20</p> <p>SCALE : 2.5:1</p>	<p>DRAWING NO. CE593024-LA</p> <p>/PART NO. SEE TABLE</p> <p>DO NOT SCALE DRAWING</p>	<p>SHEET 1</p> <p>OF 1</p>											

8

7

6

5

4

3

2

1

H

G

F

E

D

C

B

A