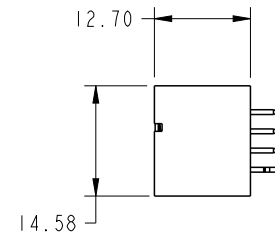
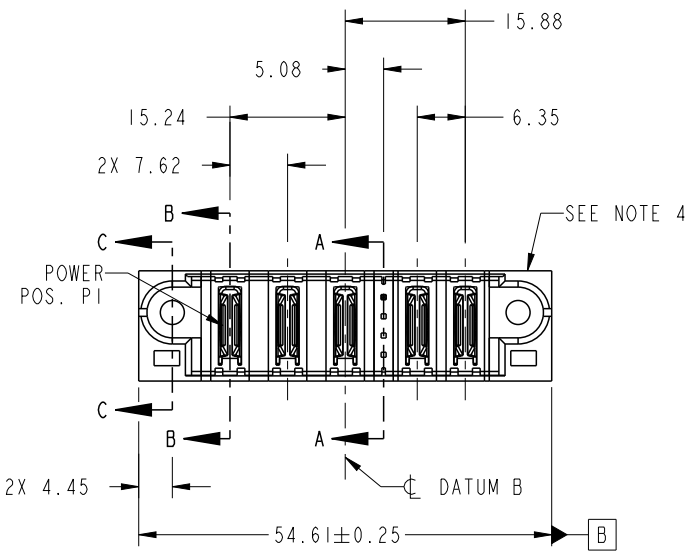


PRODUCT NO.	ROWS	POWER			SIGNAL	POWER			
		E1	P1	P2	P3	1	P4	P5	E2
51952-192-- NOTE ③	DCBA		PA	PA	PA		PA	PA	

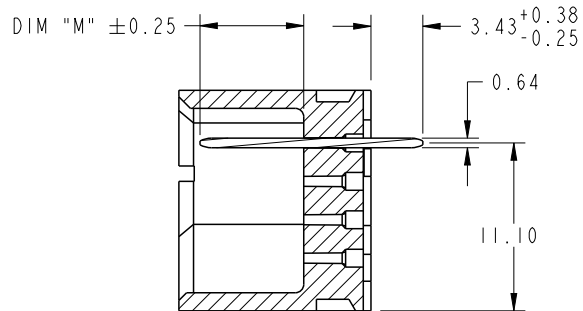


CODE	DIM "M" MATING LENGTH	CONTACT TYPE
PA	[N/A]	POWER
E	[6.86]	SIGNAL
HA	[N/A]	HOLD-DOWN

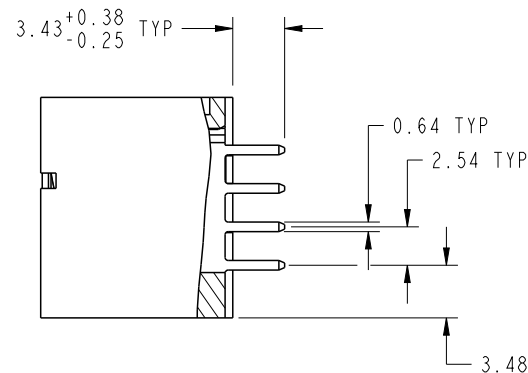
spec ref	See Notes		dr	Guang, Shi	2011/06/29	projection 	MM 	size	A4	scale	1:1
tolerance std	TOLERANCES UNLESS OTHERWISE SPECIFIED		eng	Guang, Shi	2011/07/25			ecn no	-		
See Notes			chr	-	-			rel level	Released		
surface	linear	0.X	±0.50	FCI 	title	3ACP + 4S + 2P VERTICAL STB HEADER	dwg no	51952-192	rev	A	
		0.XX	±0.25								
	0.XXX	±0.10									
	angular	0°	±2°	www.fci.com	cat. no.	Product - Customer Drw	sheet 1 of 4				

PRODUCT NUMBER

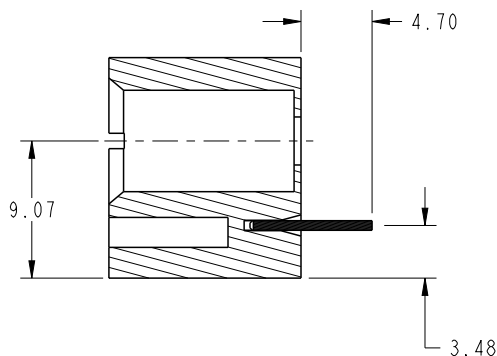
51952-192--
NOTE 3



SECTION A-A
SCALE 2:1



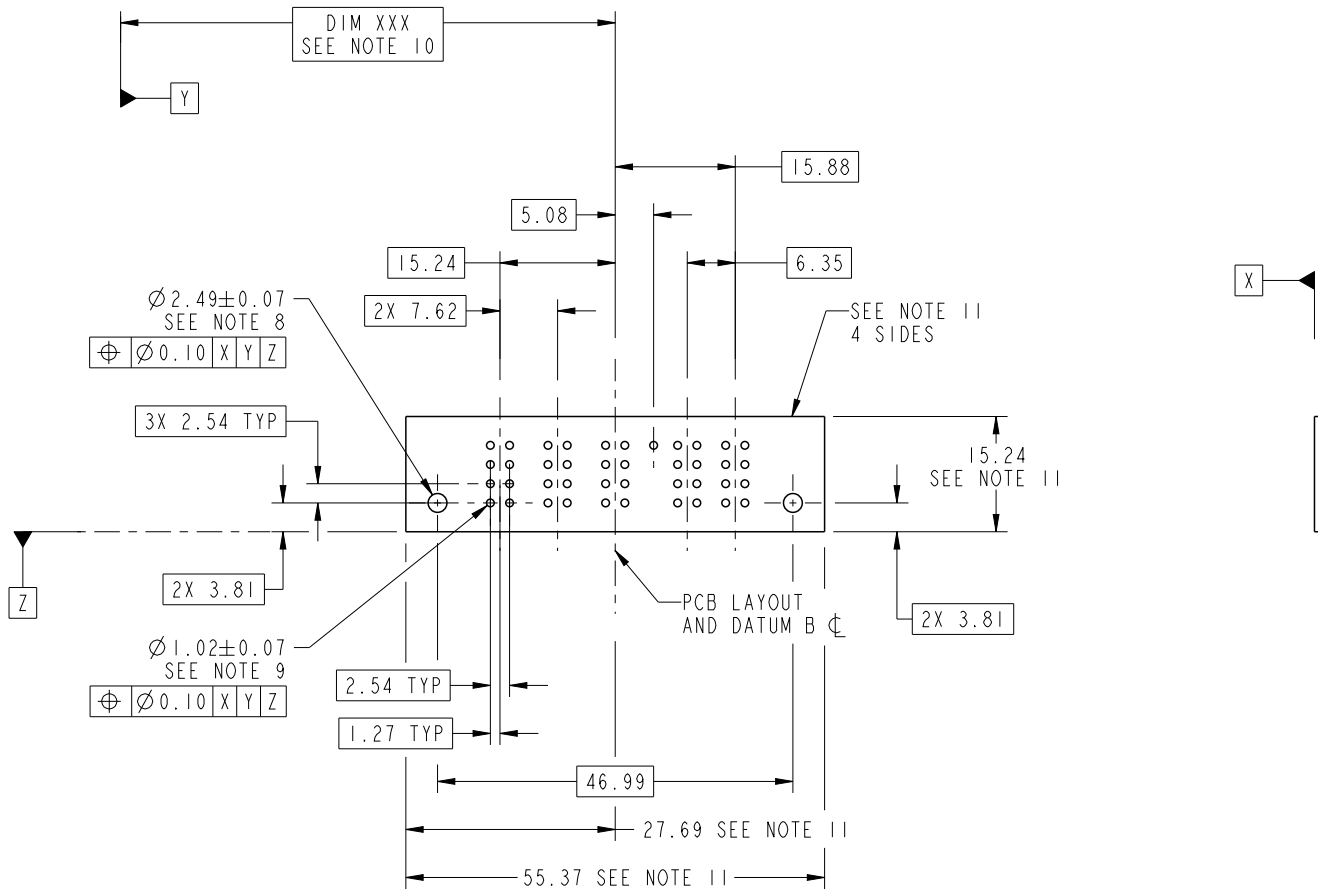
SECTION B-B
SCALE 2:1



SECTION C-C
SCALE 2:1

spec ref	See Notes			dr	Guang, Shi	2011/06/29	projection 	MM ←→	size	A4	scale	1:1
tolerance std	TOLERANCES UNLESS OTHERWISE SPECIFIED			eng	Guang, Shi	2011/07/25			ecn no	-		
See Notes				chr	-	-			rel level	Released		
surface	✓	linear	0.X	±0.50	FCj	title	3ACP + 4S + 2P	dwg no	51952-192	rev	A	
			0.XX	±0.25								
			0.XXX	±0.10								
		angular	0°	±2°	www.fci.com	cat. no.	Product - Customer Drw			sheet 2 of 4		

PRODUCT NUMBER
51952-192--
NOTE 3



RECOMMENDED PCB LAYOUT

spec ref	See Notes			dr	Guang, Shi	2011/06/29	projection 	MM 	size	A4	scale	1:1
tolerance std	TOLERANCES UNLESS OTHERWISE SPECIFIED			eng	Guang, Shi	2011/07/25			ecn no	-		
See Notes				chr	-	-			rel level	Released		
surface	linear	0.X	±0.50	appr	Pei-Ming Zheng	2011/07/26	product family	PwrBlade	rev	A		
		0.XX	±0.25	 3ACP + 4S + 2P VERTICAL STB HEADER			dwg no	51952-192	sheet 3 of 4			
	angular	0°	±2°				cat. no.	Product - Customer Drw				

PRODUCT NUMBER

51952-192__
NOTE 3

NOTES:

1. DIMENSIONS AND TOLERANCES ARE IN ACCORDANCE WITH ASME Y14.5M, 1994 UNLESS OTHERWISE SPECIFIED.

CONNECTOR NOTES:

- ② HOUSING MATERIAL: UL 94 V-0 GLASS FILLED HIGH-TEMP THERMOPLASTIC
POWER CONTACT MATERIAL: COPPER ALLOY
SIGNAL PIN MATERIAL: COPPER ALLOY
- 3. SEE ITEM 1 & 2 IN PRINT 10064183 FOR PLATING SPEC OF 51952-192 AND 51952-192LF RESPECTIVELY.
- ④ MANUFACTURER'S NAME, DATE CODE AND OPTIONAL P/N TO APPEAR ON THIS SURFACE. THE P/N CAN BE OMITTED IF THERE IS NOT ENOUGH SPACE ON THIS SURFACE.
- 5. PRODUCT SPECIFICATION GS-12-149.
APPLICATION SPECIFICATION BUS-20-067.

6. PACKAGED IN TRAYS.

PCB NOTES:

- 7. ALL HOLE DIAMETERS ARE FINISHED HOLE SIZE.
- 8. MOUNTING HOLES, WHERE APPLICABLE, ARE UNPLATED.

⑨ $\varnothing 1.151 \pm 0.025$ DRILLED HOLES PLATED WITH 0.008 MIN SnPb OR Sn OVER .001 [0.03] TO 0.08 Cu PLATING TO ACHIEVE $\varnothing 1.02 \pm 0.07$ HOLE.

⑩ "DIM XXX" TO BE DETERMINED BY THE CUSTOMER.

⑪ CONNECTOR KEEP-OUT ZONE.

spec ref	See Notes			dr	Guang, Shi	2011/06/29	projection 	MM 	size	A4	scale	1:1		
tolerance std	TOLERANCES UNLESS OTHERWISE SPECIFIED			eng	Guang, Shi	2011/07/25			ecn no	-				
See Notes				chr	-	-			product family	PwrBlade		rel level	Released	
surface	linear	0.X	± 0.50	FCj	www.fci.com	title	3ACP + 4S + 2P VERTICAL STB HEADER	dwg no	51952-192	rev	A			
		0.XX	± 0.25								cat. no.	Product - Customer Drw		sheet 4 of 4
		0.XXX	± 0.10											
	angular	0°	$\pm 2°$											



Copyright FCI.