

System No. 29641

**PROPRIETARY NOTE:** This drawing and all information thereon is the property of Breed Technologies, Inc. and is confidential and proprietary and must not be made public or copied unless expressly authorized in writing by Breed Technologies, Inc. and is subject to return upon demand.

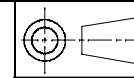
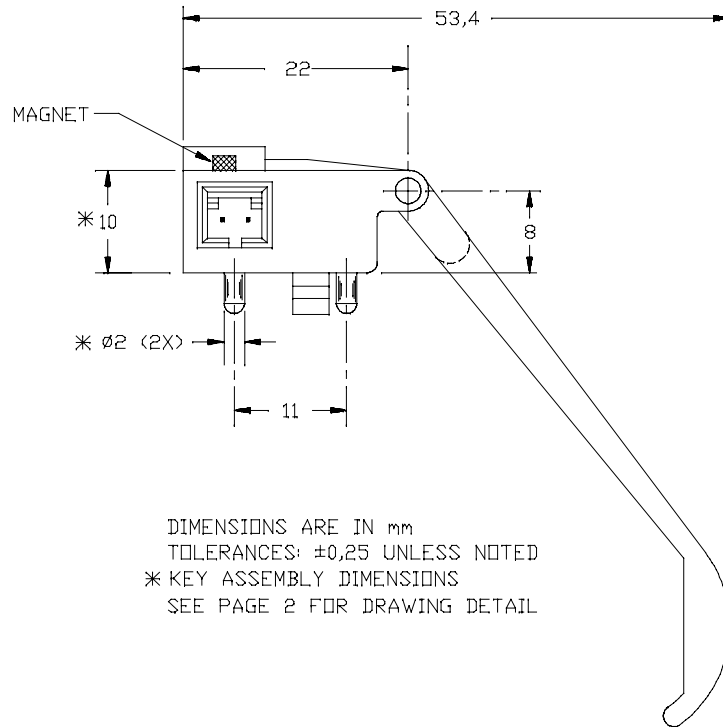
D10-59200-010

Electrical

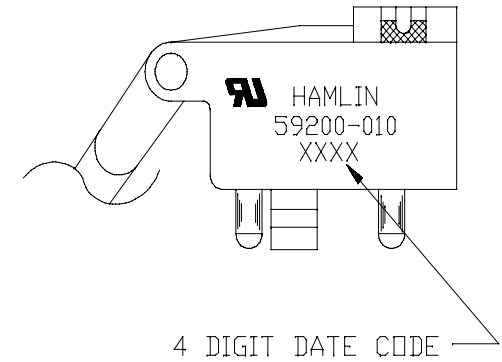
CONTACT TYPE	FORM A
CONTACT RATING, MAX.	10 WATTS
SWITCHING VOLTAGE, MAX.	200 VDC
SWITCHING CURRENT, MAX.	0.5 AMPS
CARRY CURRENT, MAX.	0.8 AMPS
CONTACT RESISTANCE INCLUDING LEADS, MAX.	200 mΩ
BREAKDOWN VOLTAGE, MIN.	250 VDC

Physical

BASE:	BLACK 15% G.F. NYLON 6/6
POTTING:	BLACK EPOXY
ARM:	BLACK UL94V-O 30% G.F. PBT
CONNECTOR:	MOLEX SL EQUIV. (BLACK UL94V-O 30% G.F. PBT)
PINS:	PHOSPHOR BRONZE .025 IN <sup>2</sup> GOLD PLATED
MAGNET:	CERAMIC 1
ACTUATE DISTANCE:	2° MIN. FROM REST
DEACTUATE DISTANCE:	15° MAX. FROM REST



Print Detail



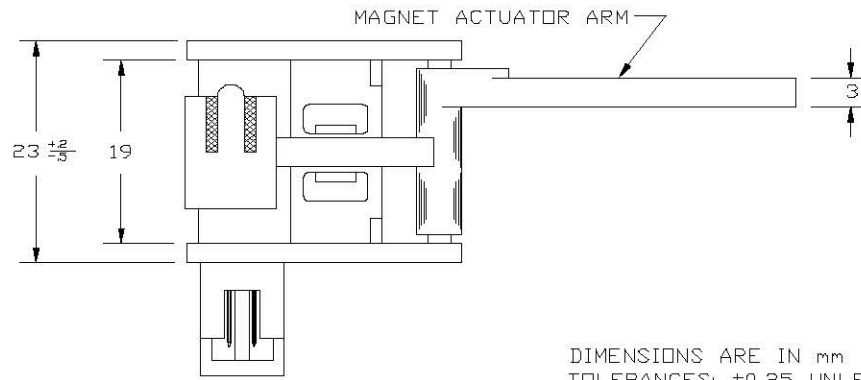
59200-010 SENSOR

Hamlin

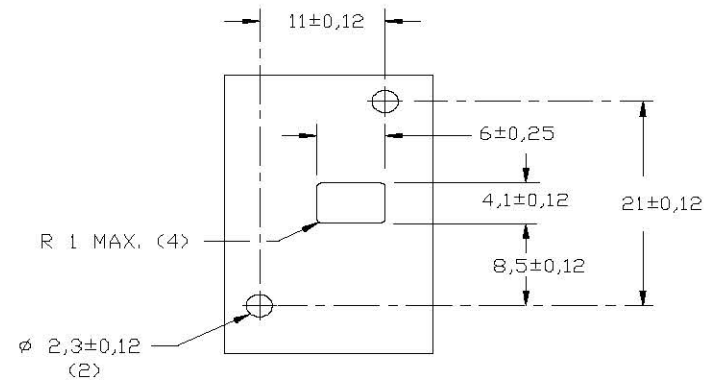
Breed Electronics Limited Partnership

DCR No. 1489

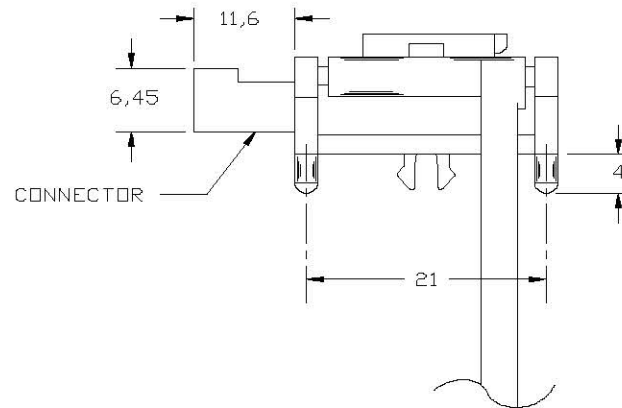
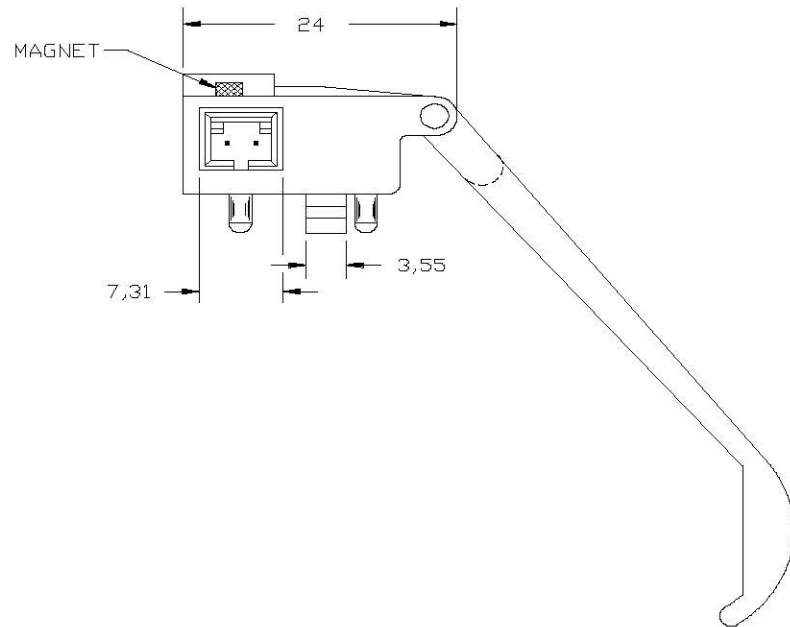
AC	PKG./FORMAT	A9317	BJW	10/26/01	BJW	10/026/0	Dwn. RLB	DATE 12/19/88	D10-59200-010
REV.	DESCRIPTION OF REVISION	DCR No.	BY	DATE	APP.	DATE	App'd BB	DATE 12/22/88	Page 1 of 2



DIMENSIONS ARE IN mm  
TOLERANCES: ±0,25 UNLESS NOTED



MATERIAL TO BE 1,6 ± 0,21 THICK  
SWITCH MOUNTING HOLE PATTERN



59200-010 SENSOR

**Hamlin**  
Breed Electronics Limited Partnership

DCR No. 1489

AC	PKG./FORMAT	A9317	BJW	10/26/01	BJW	10/026/0	Dwn. RLB	DATE 12/19/88	D10-59200-010
REV.	DESCRIPTION OF REVISION	DCR No.	BY	DATE	APP.	DATE	App'd BB	DATE 12/22/88	Page 2 of 2