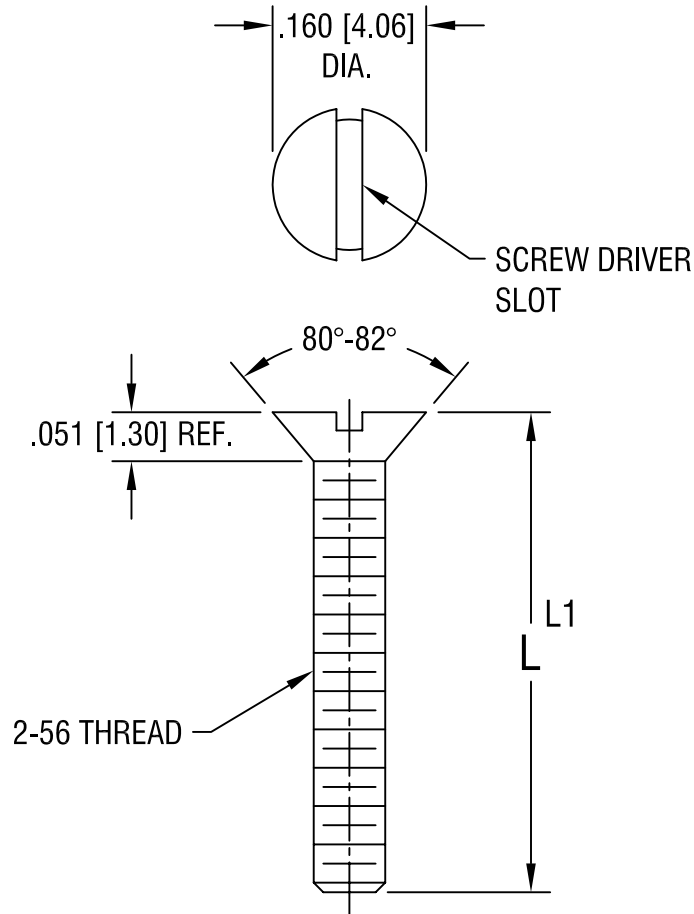


THIS DOCUMENT IS THE PROPERTY OF KEYSTONE ELECTRONICS CORP. AND SHALL NOT BE REPRODUCED, DISTRIBUTED OR USED AS A BASIS FOR MANUFACTURE WITHOUT PRIOR WRITTEN PERMISSION FROM KEYSTONE ELECTRONICS CORP.



PART NO.	'L' DIM.	'L1' TOL. +0.0
9555	.250 [6.25]	-.020 [-0.50]
9556	.500 [12.70]	
9557	.750 [19.05]	-.030 [-0.76]

<b>KEYSTONE ELECTRONICS CORP.</b>			
ASTORIA, N.Y. 11105-2017			
PART NAME			
2-56 FLAT HEAD SCREW			
MATERIAL			
STEEL			
FINISH		DRN BY	DATE
ZINC PLATE		BOONE	3.1.04
		APPD	SCALE
		LN	5X
TOLERANCES	INCH [MM]	CODE	DWG NO.
DECIMAL	$\pm .013$ [ $\pm 0.33$ ]	C/M	<b>9555-9557</b>
ANGULAR	$\pm 1^\circ$		
UNLESS OTHERWISE SPECIFIED			

DATE	DESCRIPTION	REV.