

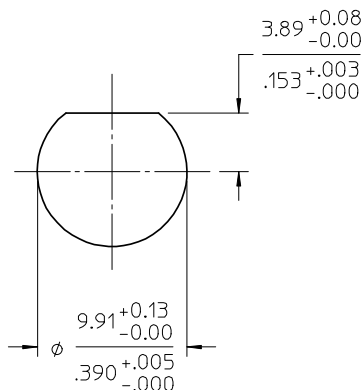
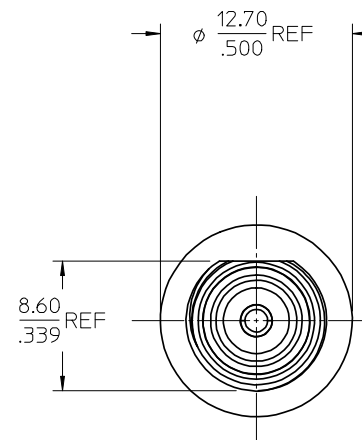
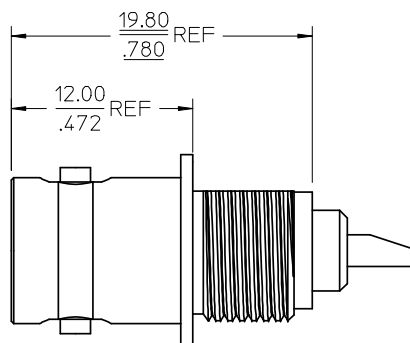
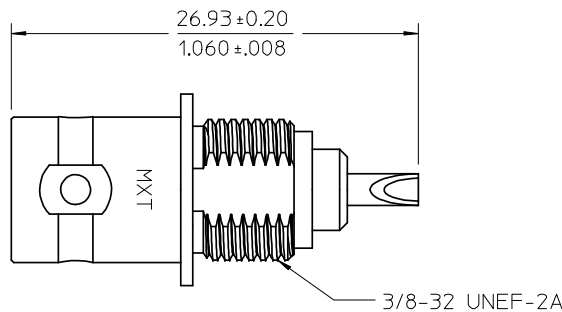
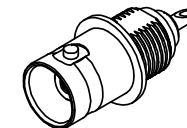
MATERIALS AND FINISHES

BODY, NUT BRASS
PLATED NICKEL

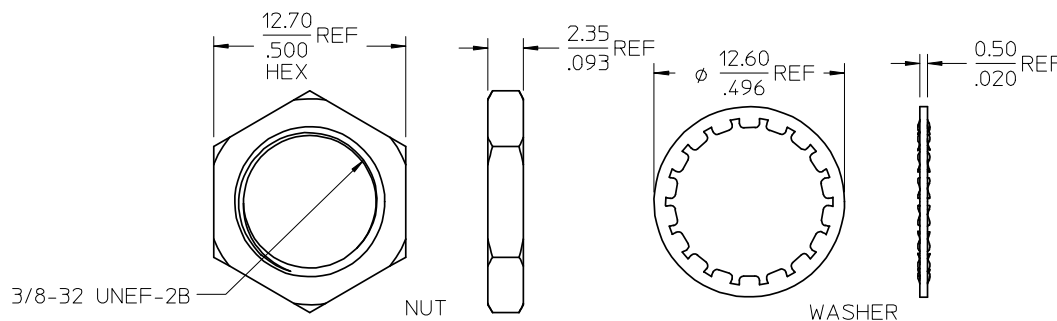
CENTER CONTACT PHOSPHOR BRONZE
PLATED GOLD

INSULATOR TEFLON

LOCKWASHER PHOSPHOR BRONZE
PLATED NICKEL



RECOMMENDED MOUNTING HOLE
MAXIMUM PANEL THICKNESS: 2.65(.104)



PS-73598-0019	ELETR/MECH PERFORM.
SPECIFICATION	DESCRIPTION

73171-3080	73100-0195, ONE PER BAG
73100-0195	BULK
PART NO.	PACKAGING

CHG: REDREW IN SD	QUALITY SYMBOLS ▽=0 ▽=0
ADDED P/N	
73171-3080	
DIM 26.93±0.20	
WAS 27.55±0.20	
EC NO: URF-2007-0396	DESCRIPTION G1
DRW:FLAHERTY 2007/05/01	
CHKD:SSHAH 2007/05/01	
APPR:JWENER 2007/05/01	

GENERAL TOLERANCES (UNLESS SPECIFIED)		DIMENSION STYLE	SCALE	DESIGN UNITS	THIRD ANGLE PROJECTION
		MM/IN		METRIC	
4 PLACES ± --- ± ---		DRAWN BY	DATE	TITLE	
3 PLACES ± --- ± ---		NORMAN	1995/01/05	BNC JACK, BULKHEAD WITH SOLDER POT, 50 OHMS BNC-JR/BK	
2 PLACES ± --- ± ---		CHECKED BY	DATE	MOLEX INCORPORATED	
1 PLACE ± --- ± ---		SAM			
ANGULAR ± 2 °		APPROVED BY	DATE	MOLEX INCORPORATED	
DRAFT WHERE APPLICABLE MUST REMAIN WITHIN DIMENSIONS		WALLY		MOLEX INCORPORATED	
		MATERIAL NO.	DOCUMENT NO.	SHEET NO.	
		SEE TABLE	SD-73100-0195	1 OF 1	
THIS DRAWING CONTAINS INFORMATION THAT IS PROPRIETARY TO MOLEX INCORPORATED AND SHOULD NOT BE USED WITHOUT WRITTEN PERMISSION					