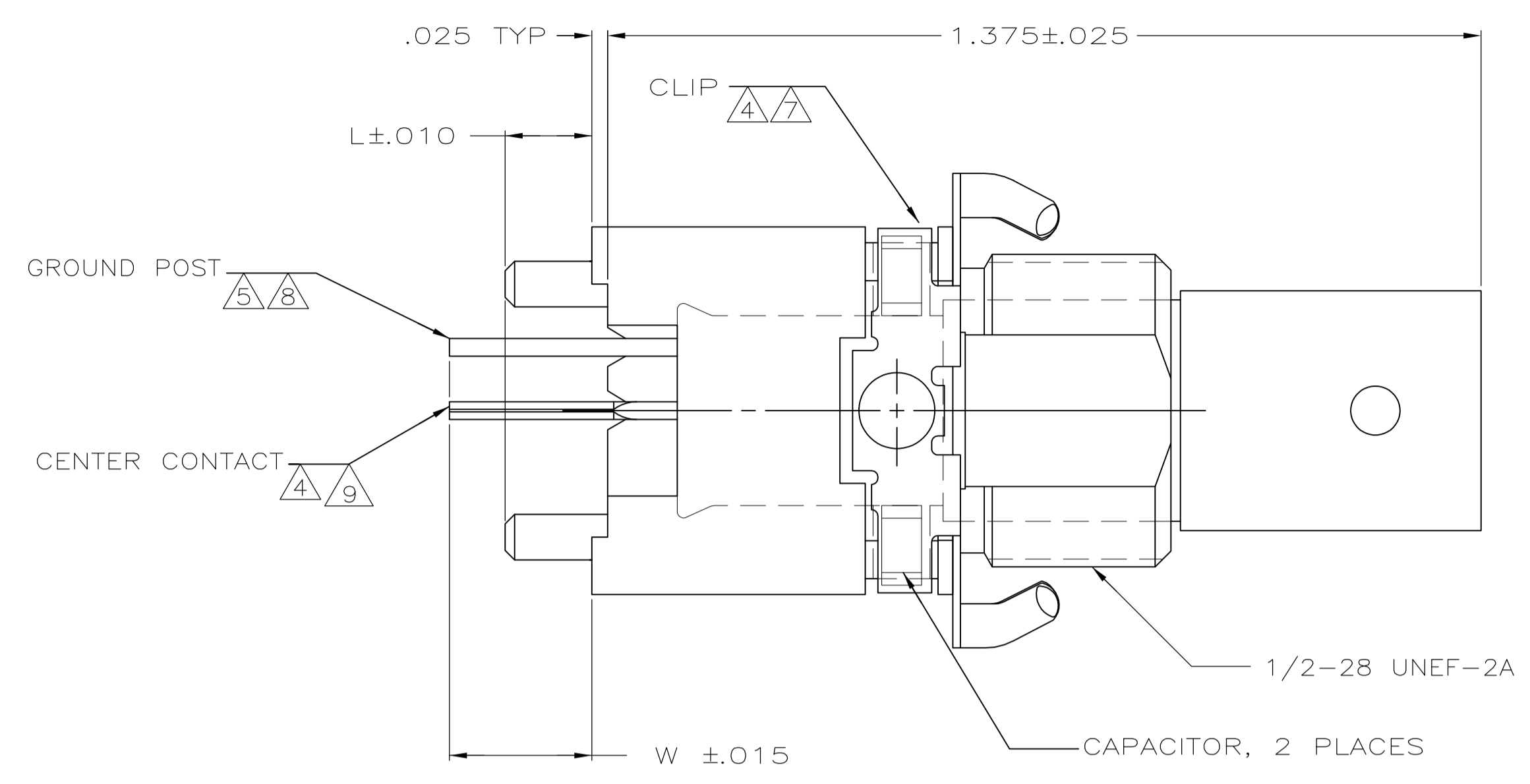
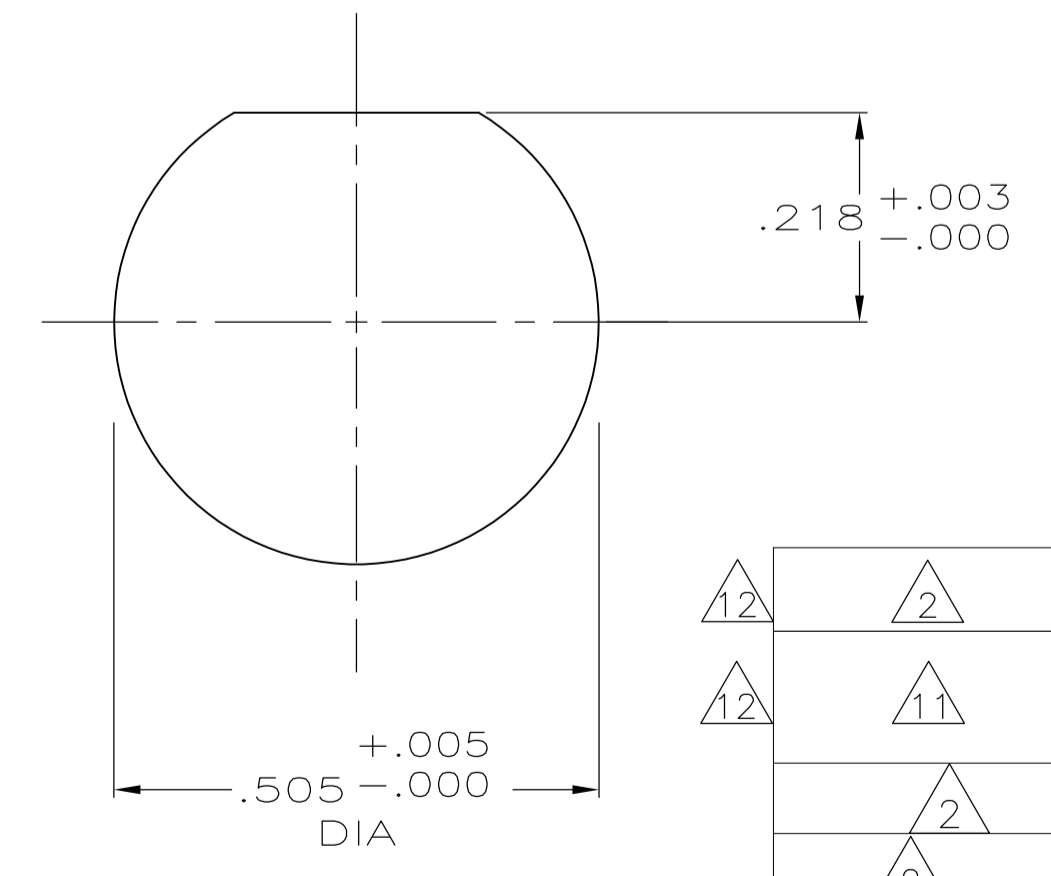
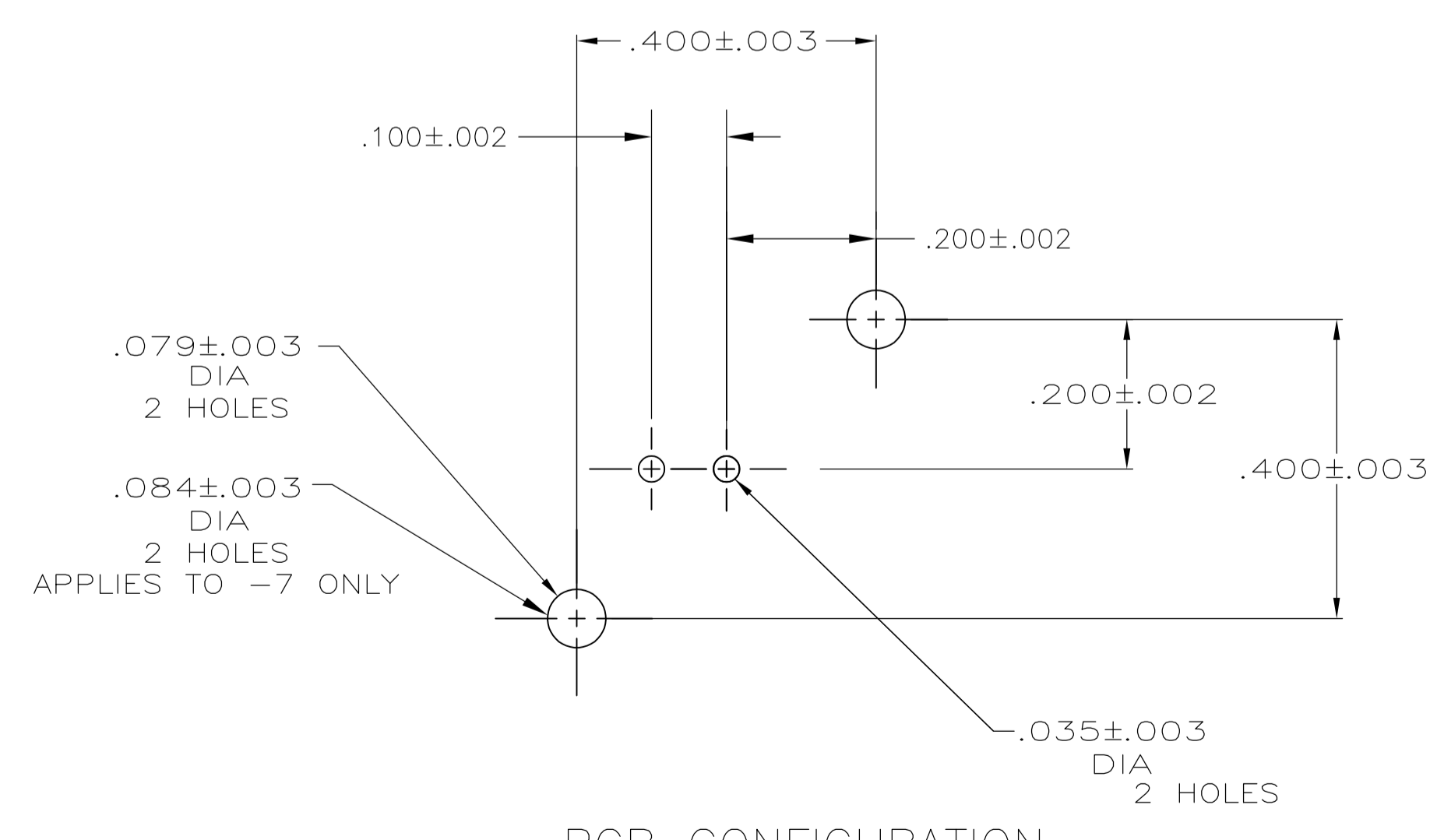
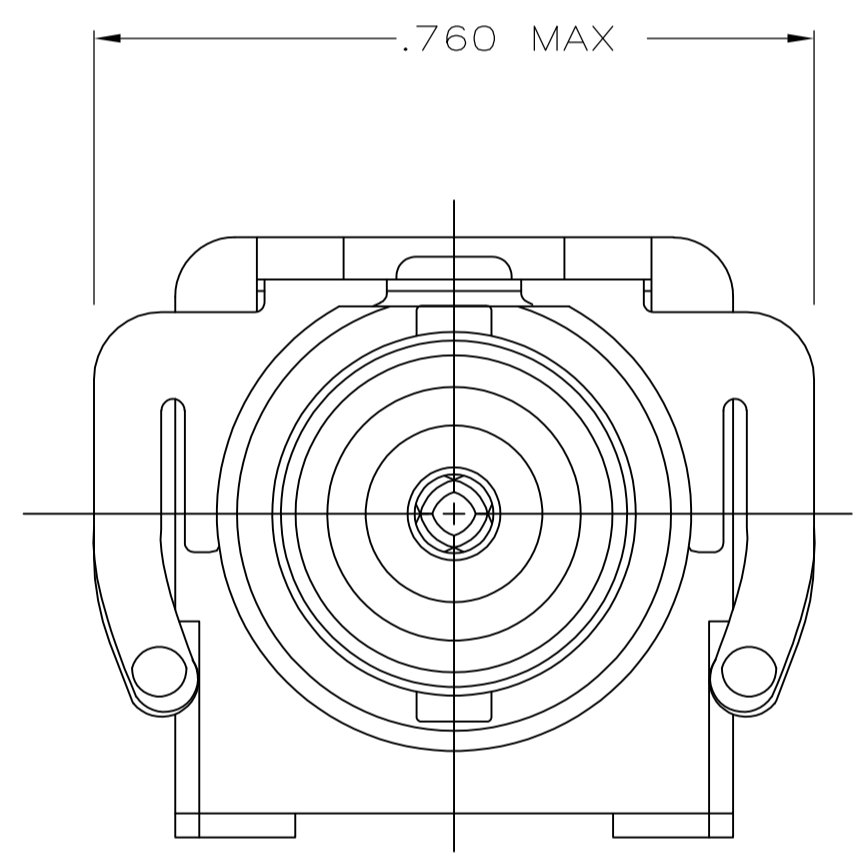
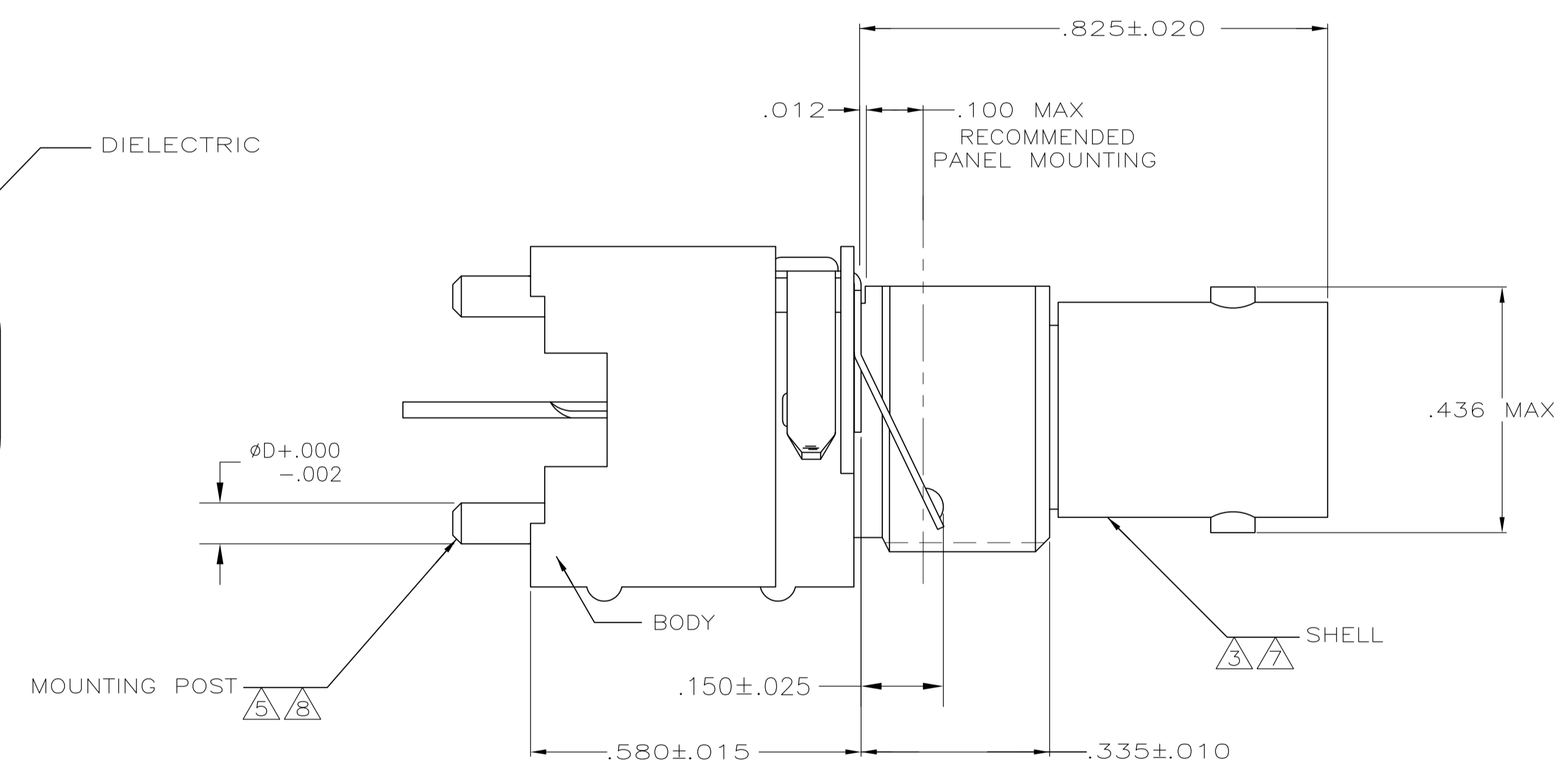
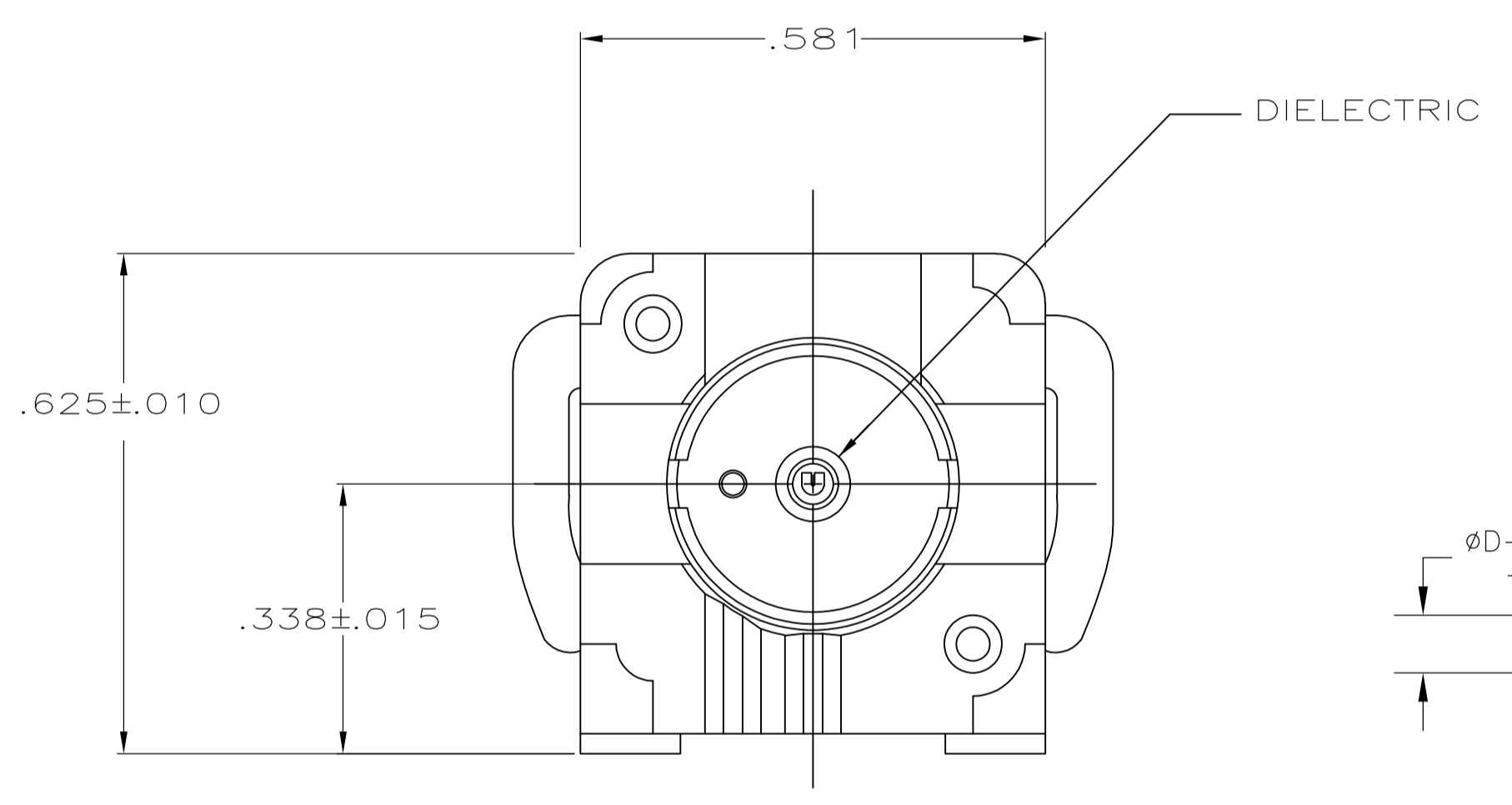


LOC	DIST	REVISIONS			
		REV	DESCRIPTION	DATE	BY
AJ	16	C	REV PER ECO 08-009474	7/22/2008	DW JL
		D	REVISED PER ECO-09-005412	10/09/2009	AEGWKE
		D1	REVISED PER ECO-09-024927	10NOV09	KK AEG



- ① POLYESTER, PBT, BLACK, PER MIL-M-24519
- ② POLYMETHYLPENTENE GENERAL PURPOSE
- ③ ZINC PER QQ-Z-363
- ④ PHOSPHOR BRONZE PER QQ-B-750
- ⑤ BRASS PER QQ-B-626
- ⑥ BRASS PER ASTM B 453
- ⑦ NICKEL PL PER QQ-N-290
- ⑧ TIN PLATE PER ASTM B 545
- ⑨ SELECTIVELY GOLD PLATED ON INTERFACE AREA PER ASTM B 488, .000030 THK, TIN PLATED ON SOLDER TAIL PER ASTM B 545, ALL OVER NICKEL PL PER: QQ-N-290
- ⑩ POLYESTER, PCT, BLACK, GENERAL PURPOSE
- ⑪ PTFE PER ASTM-D-1710
- ⑫ TRAY PACKAGING
- ⑬ OBSOLETE PARTS: OBSOLETE CIS STREAMLINING PER D.RENAUD/D.SINISI



DIELECTRIC MATERIAL	BODY MATERIAL	W	ØD	L	CAPACITANCE AND VOLTAGE	PART NUMBER
②	①	.225	.072	.137	9400 pf, 1500 VDC	5413476-8
②	①	.169 +.008 -.007	.077	.137	9400 pf, 1500 VDC	⑬ 5413476-7
②	①	.225	.072	.158	9400 pf, 1500 VDC	5413476-6
②	①	.225	.072	.137	9400 pf, 1500 VDC	5413476-2

THIS DRAWING IS A CONTROLLED DOCUMENT.

DIMENSIONS: INCHES	TOLERANCES UNLESS OTHERWISE SPECIFIED:	DIN 21APR2005	Tyco Electronics Corporation Harrisburg, Pa 17105-3608
0 PLC ± -	1 PLC ± -	DOCKS 21APR2005	
2 PLC ± -	3 PLC ± .008	APVD J. LIPPERT 21APR2005	NAME: JACK, DECOUPLER, VERTICAL, PCB, SERIES BNC
4 PLC ± -	ANGLES ± -	PRODUCT SPEC 108-1269	SIZE: A1
MATERIAL	FINISH	APPLICATION SPEC	WEIGHT: -
①-⑥⑩⑪	⑦⑧⑨	SCALE: 5:1	RESTRICTED TO: -

CUSTOMER DRAWING SCALE: 5:1 SHEET 1 OF 1 REV D1