

THIS DRAWING IS UNPUBLISHED. RELEASED FOR PUBLICATION  
 © COPYRIGHT - BY TYCO ELECTRONICS CORPORATION. ALL RIGHTS RESERVED.

LOC	DIST	REVISIONS			
P	LTR	DESCRIPTION	DATE	DWN	APVD
E	B	E	ECR-08-003449	10MAR08	JMS FWK

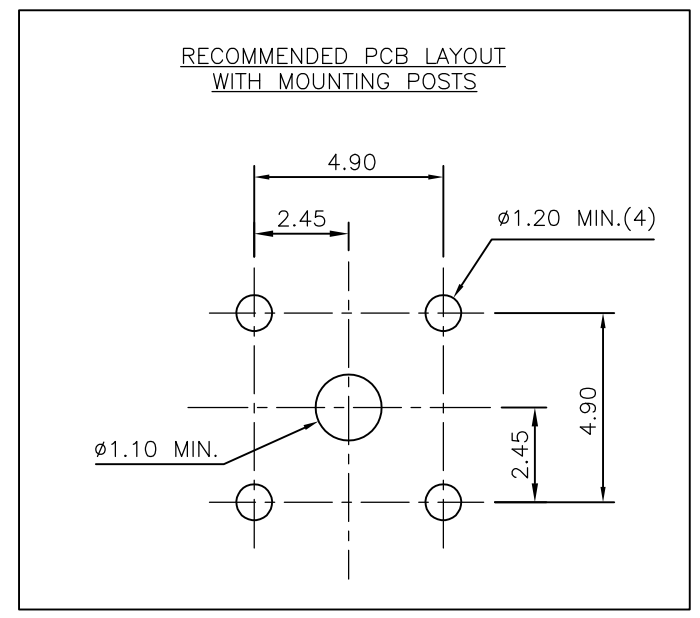
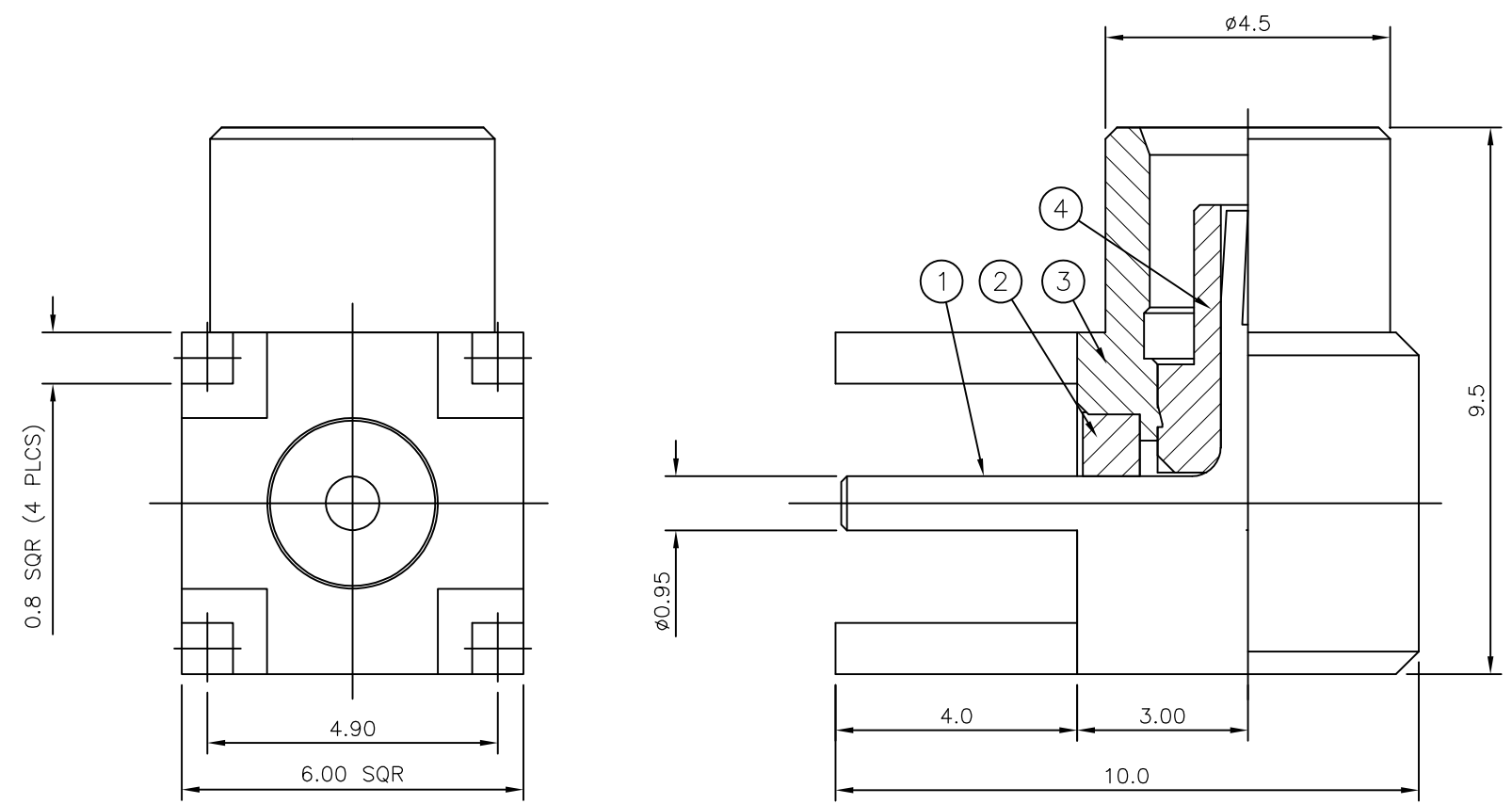
NOTES

- 1 100 TRAY PACK IN ACCORDANCE WITH AMP SPEC 107-3275
- 2 SINGLE PACK IN ACCORDANCE WITH AMP SPEC 107-3275
- 3 Au PLATING
- 4 Ni PLATING
- 5. ELECTRICAL CHARACTERISTICS
 

FREQUENCY RANGE:	DC - 6 GHz
NOMINAL IMPEDANCE:	50 Ohm
INSULATION RESISTANCE:	1000 MOhm
WORKING VOLTAGE:	335 Volts RMS at Sea Level
DIELECTRIC WITHSTAND VOLTAGE:	1000 Volts RMS Max
CONTACT RESISTANCE:	
CENTRE CONTACT:	5.00 mOhm Max
OUTER CONTACT:	1.00 mOhm Max
VSWR @ 4GHz:	N/A
INSERTION LOSS dB @ x 1.0 GHz:	0.10 Max
- 6. MECHANICAL CHARACTERISTICS
 

COUPLING NUT RETENTION FORCE:	N/A
DURABILITY:	500 Cycles Min
- 7. ENVIRONMENTAL CHARACTERISTICS
 

OPERATING TEMPERATURE:	-65 to +165 DegC
------------------------	------------------
- 8. FOR TECHNICAL DATA REFER TO YOUR LOCAL TYCO ELECTRONICS SALES OFFICE
- 9. ALL DIMENSIONS ARE NOMINAL FOR REFERENCE ONLY UNLESS OTHERWISE STATED



QTY	1	1	1	1	MATERIAL	DESCRIPTION	ITEM
	1	1	1	1	PTFE	INSULATOR	4
	-	-	1	1	BRASS	3 BODY	3
	1	1	-	-	BRASS	4 BODY	3
	1	1	1	1	PTFE	INSULATOR	2
	1	1	1	1	PHOS BRONZE	3 PIN	1
	6--2	1--2	6--0	1--0			
	1	1	1	1			

THIS DRAWING IS A CONTROLLED DOCUMENT.		DWN	J.SANDWELL	28SEP04	QUANTITY PER ASSY		PARTS LIST	
DIMENSIONS: mm 		CHK	S.PARLOW	28SEP04	Tyco Electronics Corporation Bideford, EX39 4HE			
		APVD	F.WHEELER-KING	28SEP04				
TOLERANCES UNLESS OTHERWISE SPECIFIED: 0 PLC ± - 1 PLC ± - 2 PLC ± - 3 PLC ± - 4 PLC ± - ANGLES ± - FINISH -		PRODUCT SPEC		NAME		MCX ELBOW PCB SOCKET 50 OHMS		
MATERIAL		APPLICATION SPEC		SIZE		CAGE CODE	DRAWING NO	RESTRICTED TO
		WEIGHT		A3		00779	C-1337586	
CUSTOMER DRAWING					SCALE	NTS	SHEET	1 OF 1
					REV		E	