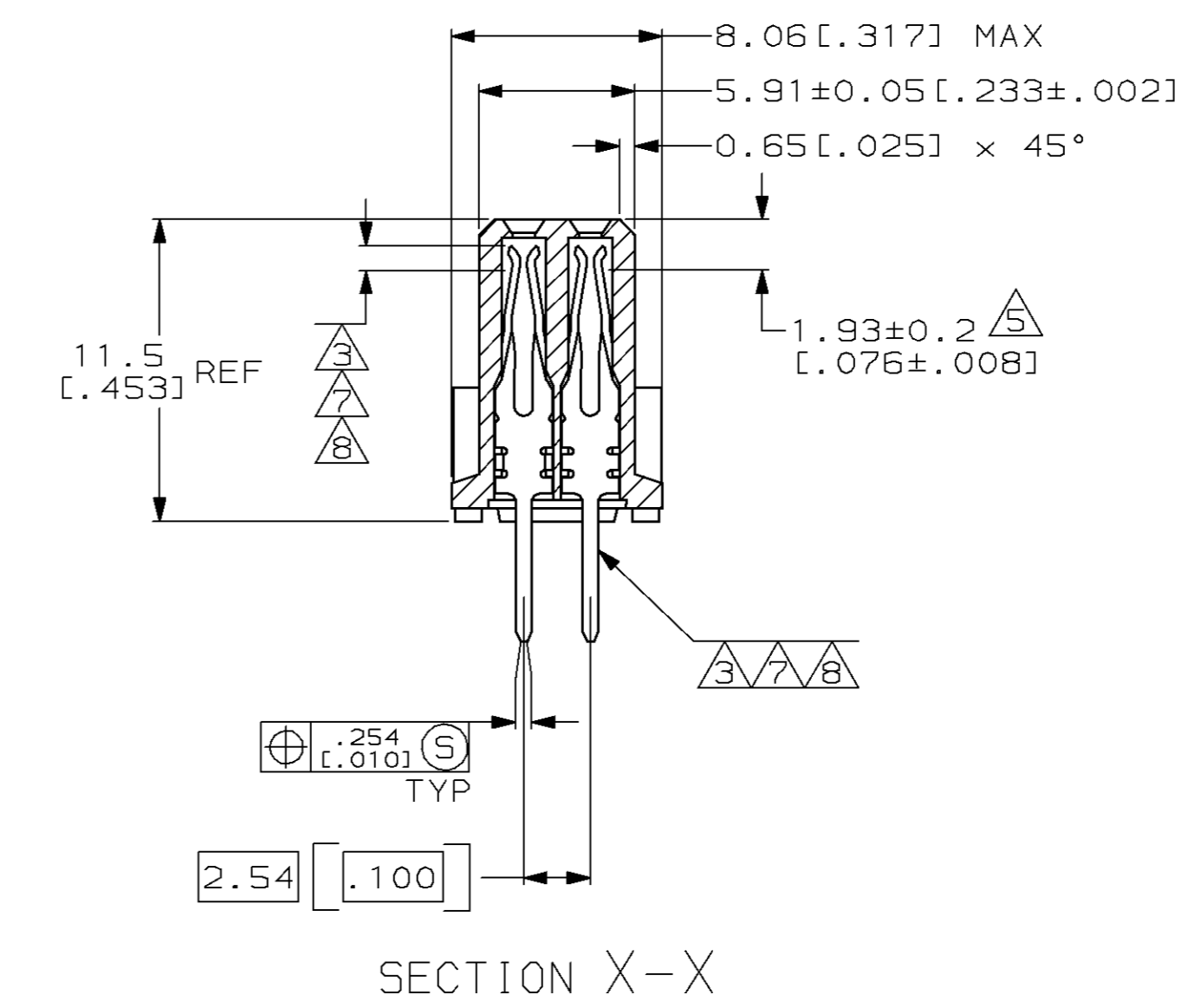
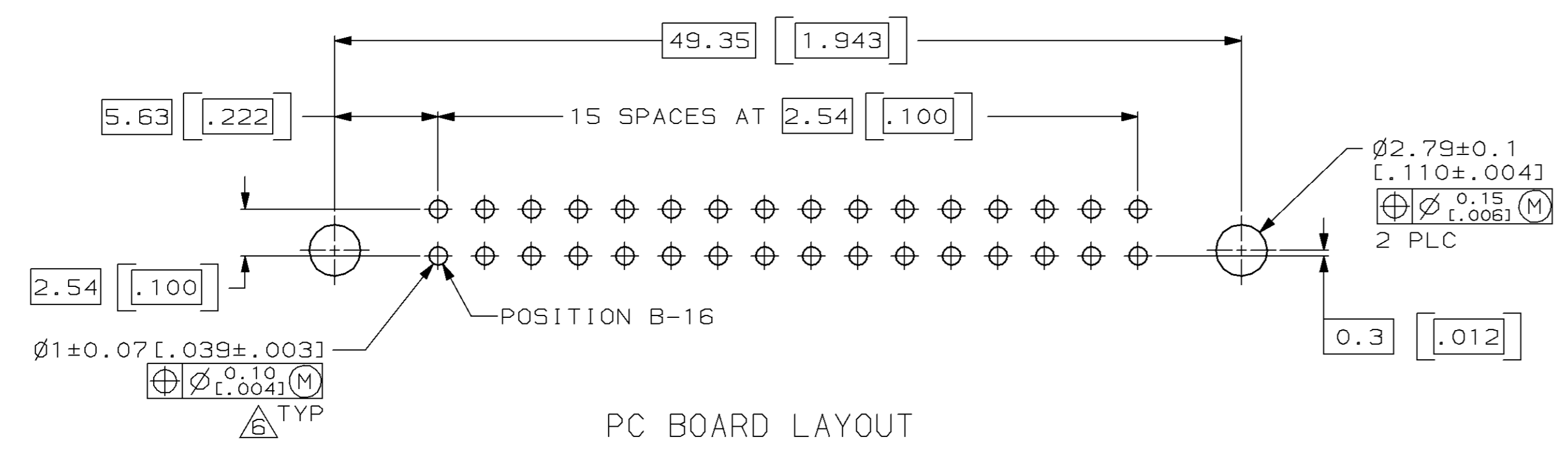
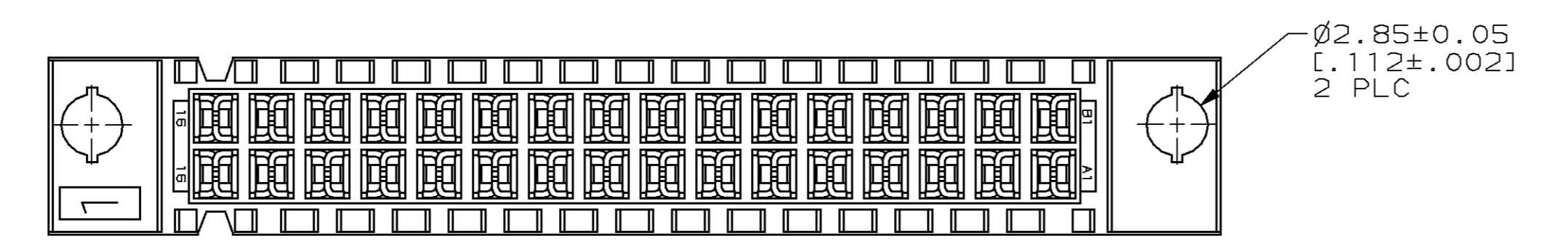
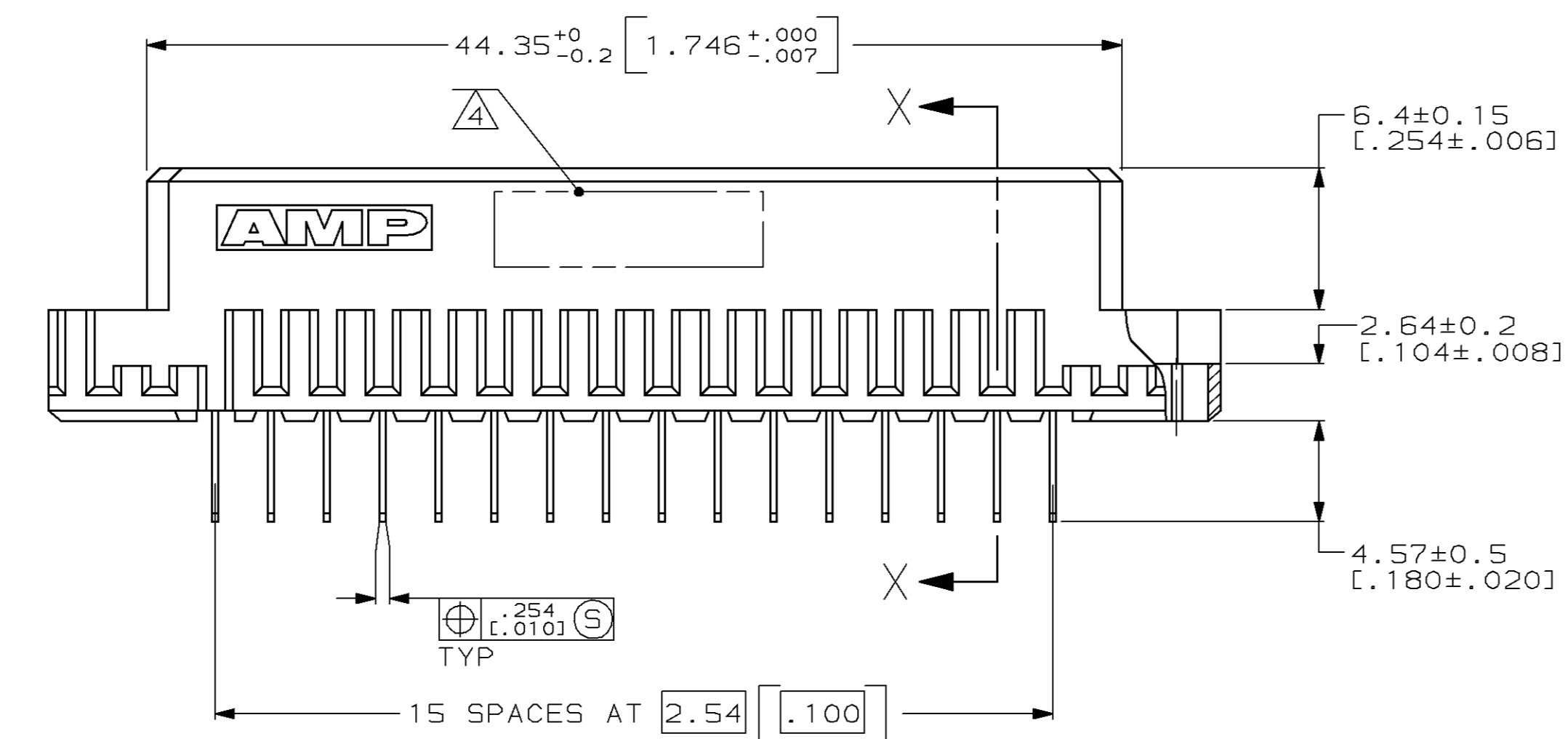
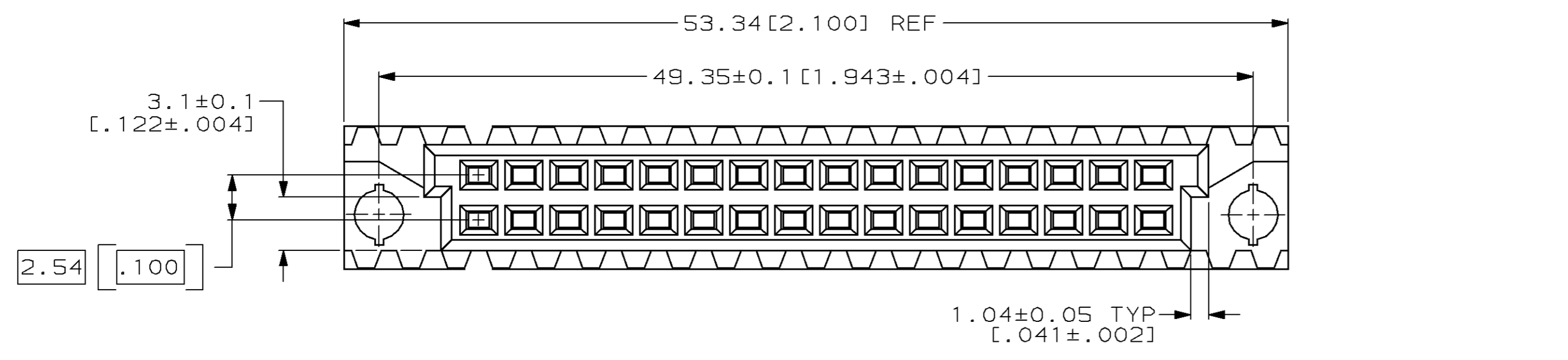


LOC	DIST	P	F	ZONE	LTR	REVISIONS	DATE	APPD
AD	25					0 DRAWN	-	-
						A ECN AD5986	12/12/91	LSB
						B ECN AD6495	7/31/92	LSB
						C EC 0010-0613-93	5/28/93	LSB
						D EC 0010-1455-95	1/23/96	CR
						E EC 0010-1484-95	4/1/96	CR



- 1 HOUSING MATERIAL: GLASS-FILLED POLYESTER. COLOR: GRAY.
- 2 CONTACT MATERIAL: PHOSPHOR BRONZE.
- 3 CONTACT FINISH: DIN 41612 CLASS 2 IN CONTACT AREA. NICKEL UNDERPLATE ALL OVER. TIN-LEAD ON POSTS.
- 4 PART NUMBER, DATE CODE IDENTIFICATION, CSA LOGO IN THIS APPROXIMATE AREA, ON REVERSE SIDE.
- 5 POINT OF MEASUREMENT FOR GOLD.
- 6 RECOMMENDED HOLE SIZE FOR MANUAL APPLICATION OF CONNECTOR ONTO PC BOARD.
- 7 CONTACT FINISH: DIN 41612 CLASS 3 IN CONTACT AREA. NICKEL UNDERPLATE ALL OVER. TIN-LEAD ON POSTS.
- 8 CONTACT FINISH: DIN 41612 CLASS 2 IN CONTACT AREA. NICKEL UNDERPLATE ALL OVER. TIN-LEAD ON POSTS.

NOTE	POSITIONS LOADED	B	A	NO. OF LOADED POSITION	ASSY PART NUMBER
OBSOLETE	1 THRU 16	X	X	32	650858-9
	1 THRU 16	X	X	32	650858-5
SUPERSEDED BY 650858-5	1 THRU 16	X	X	32	650858-4

DO NOT SCALE PRINT. UNLESS SPECIFIED DIMENSIONS IN mm [INCHES]. TOLERANCES ON: 1 PLC DEC ± - 2 PLC DEC ± 0.13 [.005] ANGLES ± -	DR L. BRINER 6/27/90 CHK J. BROWN 7/18/90 APPD J. BROWN 7/18/90 APPD J. BROWN 7/19/90	AMP INCORPORATED Harrisburg, Pa. 17105	
MATERIAL HSG CONT	PRODUCT SPEC -	RECEPTACLE ASSEMBLY, EUROCARD, TYPE "B"	
FINISH CONT	APPLICATION SPEC -	SIZE D	FSCM NO 00779
	WEIGHT -	DRAWING NO 650858	SHEET 1 OF 1
		SCALE 4:1	

