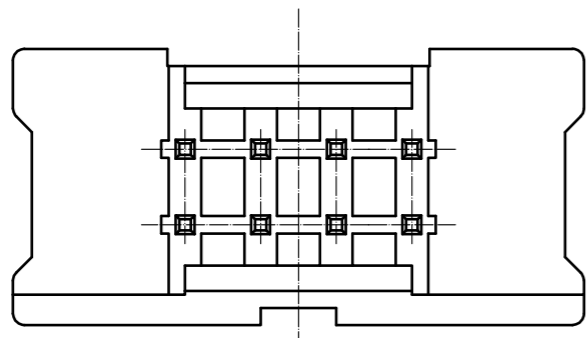
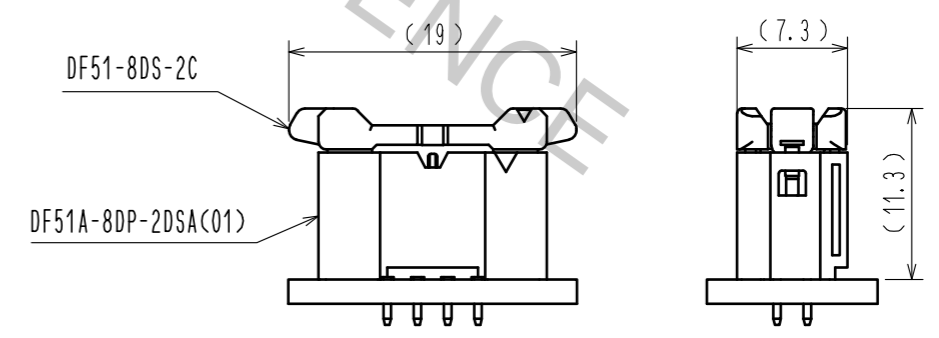
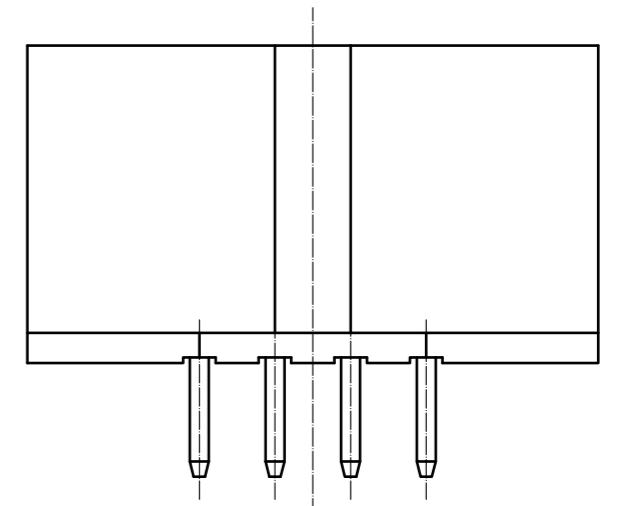
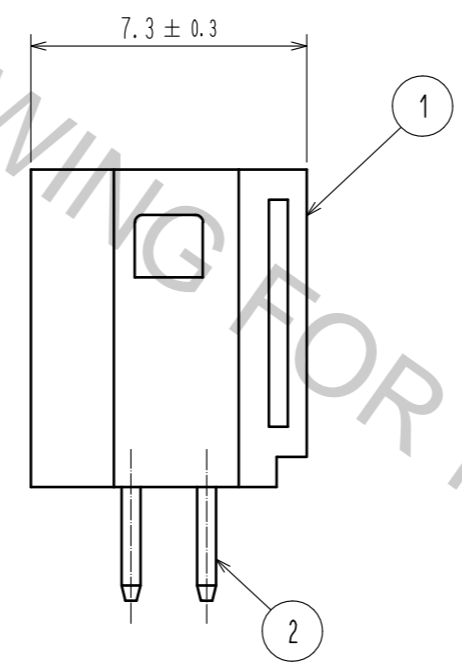
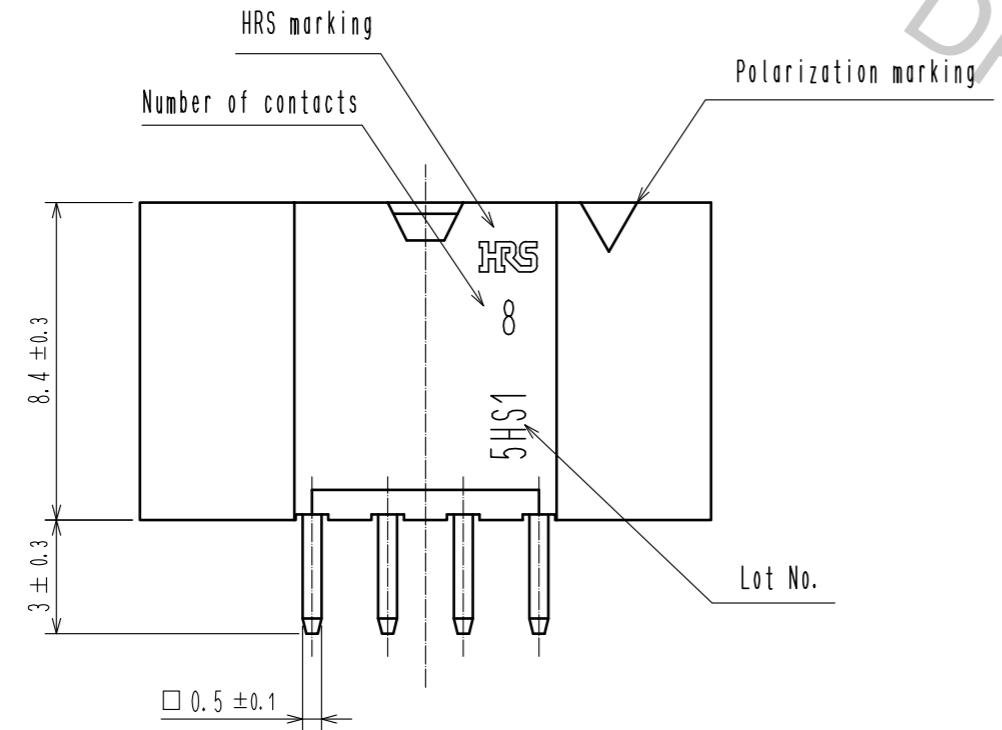
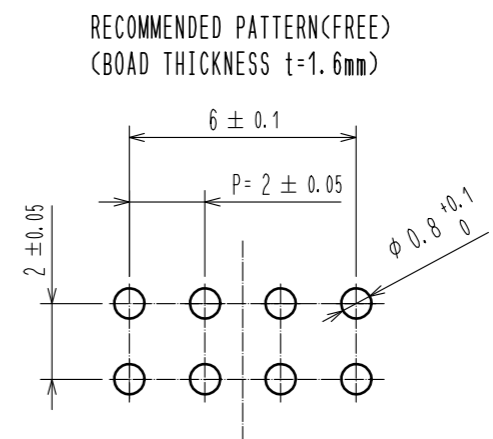
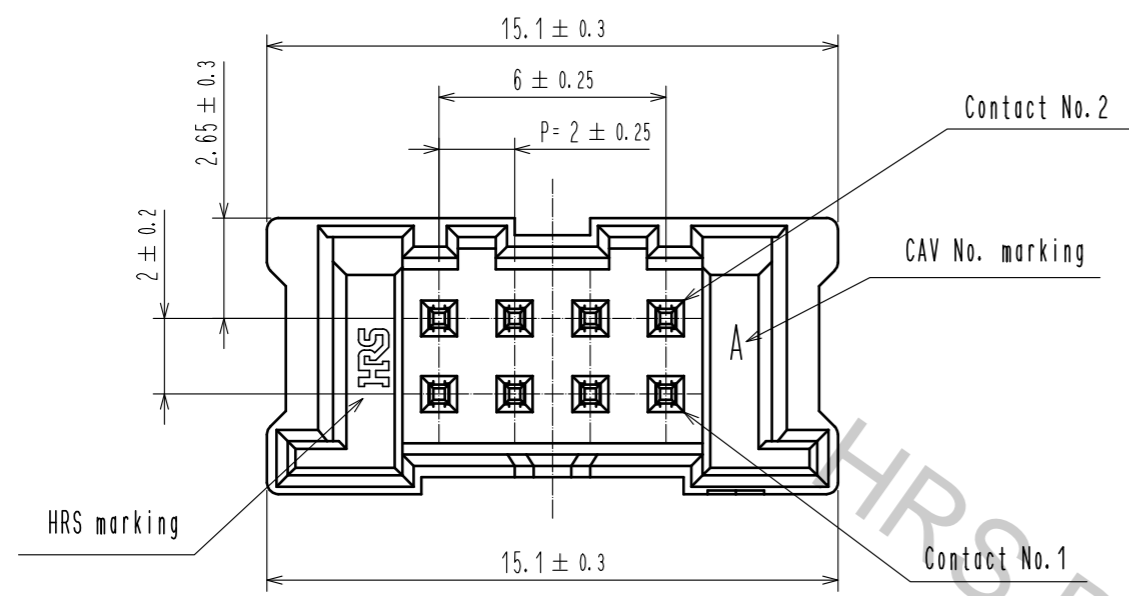


Aug.1.2018 Copyright 2018 HIROSE ELECTRIC CO., LTD. All Rights Reserved.
 In case that the application demands a high level of reliability, such as automotive,
 please contact a company representative for further information.



Note 1. Per pack : 100 Pieces.
 2. The dimension parenthesis are for reference.

1	PBT	UL94V-0, BLACK	2	BRASS	SURFACE: Au PLATING 0.1 μ m MIN UNDER PLATING: NICKEL PLATING 0.5 μ m MIN
NO.	MATERIAL	FINISH, REMARKS	NO.	MATERIAL	FINISH, REMARKS
UNITS mm		SCALE 5 : 1	COUNT 	DESCRIPTION OF REVISIONS	DESIGNED
APPROVED : HS. OKAWA 18.03.20				DRAWING NO.	EDC-363505-01-00
CHECKED : ST. WADA 18.03.20				PART NO.	DF51A-8DP-2DSA(C01)
DESIGNED : TH. SATO 18.03.20				CODE NO.	CL543-5045-0-01
DRAWN : TH. SATO 18.03.20					