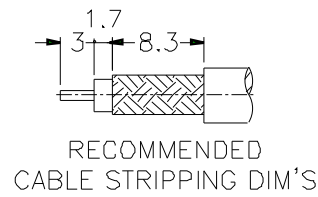
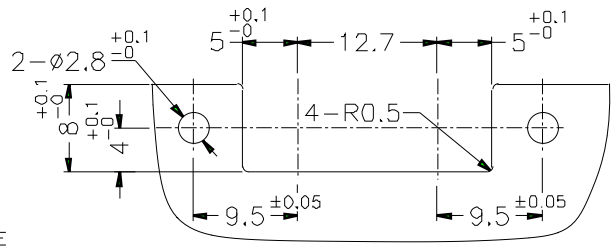
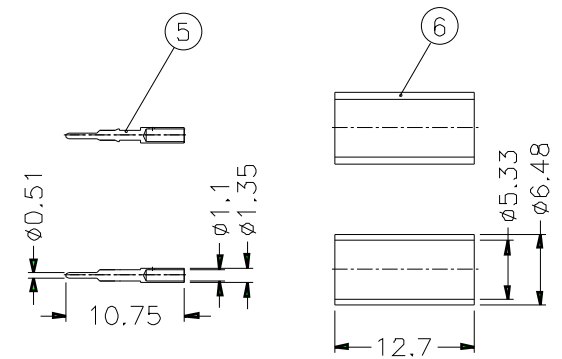
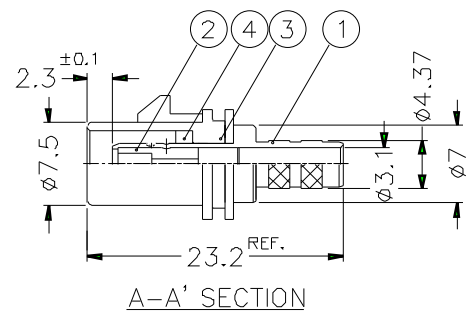
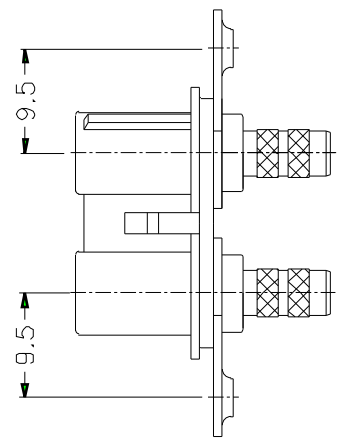
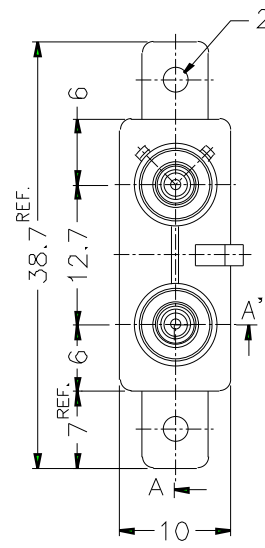


REVISIONS		
ISS	ZONE	DESCRIPTION\PER REQUEST\DATE

CONFIGURATION CONTROL:
NO CHANGES PERMITTED TO DRAWING WITHOUT
PPAP QUALIFIED CUSTOMER APPROVAL



1. CRIMPED FERRULE
HEX CRIMP SIZE .213"
2. CRIMPED CONTACT PIN
SQ. CRIMP SIZE .042"



- NOTES: FINISH (PLATING THICKNESS IN MICRO-INCHES)
1. BRASS PER QQ-B-626, ALLOY 360, 1/2 H ; JIS H3250 C 3604B0 OR EQUIVALENT
 2. NICKEL PL. 60 MIN. THICK OVER COPPER STRIKE
 3. GOLD PL. 30 MIN. THICK OVER NICKEL PL. 100 MIN. THICK OVER COPPER STRIKE
 4. TEFLON MIL-P-19468 OR EQUIVALENT
 5. COPPER PER ASTM B-75 ALLOY C12200 OR EQUIVALENT
 6. PBT(WITH 15% GLASS FIBER) PER CHANG CHUN GRADE 4115202 OR EQUIVALENT

TABLE

KEY CODING	D/N	P/N	LOCK COVER
A	FKT1321AW-008-NT30G-50	FA2-NASP-C04-0	FKLC40101A
B	FKT1321BW-008-NT30G-50	FA2-NBSP-C04-0	FKLC40102A
C	FKT1321CW-008-NT30G-50	FA2-NCSP-C04-0	FKLC40103A
D	FKT1321DW-008-NT30G-50	FA2-NDSP-C04-0	FKLC40104A
E	FKT1321EW-008-NT30G-50	FA2-NESP-C04-0	FKLC40105A
F	FKT1321FW-008-NT30G-50	FA2-NFSP-C04-0	FKLC40106A
G	FKT1321GW-008-NT30G-50	FA2-NGSP-C04-0	FKLC40107A
H	FKT1321HW-008-NT30G-50	FA2-NHSP-C04-0	FKLC40108A
I	FKT1321IW-008-NT30G-50	FA2-NISP-C04-0	FKLC40109A
K	FKT1321KW-008-NT30G-50	FA2-NKSP-C04-0	FKLC40110A
Z	FKT1321ZW-008-NT30G-50	FA2-NZSP-C04-0	FKLC40111A

NO.	DESCRIPTION	MATERIAL	FINISH	Q'TY	DRAWING NO.
6	FERRULE	NOTE 5	NOTE 2	2	FKFR00201A
5	CONTACT PIN	NOTE 1	NOTE 3	2	FKCP00301A
4	RING	NOTE 1	NOTE 2	2	FKLR00101A
3	LOCK COVER	NOTE 6		1	SEE TABLE
2	INSULATOR	NOTE 4	NATURAL	2	FKNS00401A
1	MAIN BODY	NOTE 1	NOTE 2	2	FKMB00201A

DIMENSIONS ARE IN MILLIMETERS			
UNLESS OTHERWISE SPECIFIED TOLERANCES			
0.5-6	= ±0.2		
6-30	= ±0.4		
30-120	= ±0.6		
120-315	= ±1		
315-1000	= ±1.6		
1000-2000	= ±2.4		

PART NO. FA2-NXSP-C04-0	
APPROVED	DATE 10-08-01'
CHECKED	DATE 10-08-01'
DRAWN	DATE 10-08-01'

Amphenol
Danbury,CT,USA-Tainan,Taiwan-Shenzhen,China

TITLE
FAKRA TWIN SMB CRIMP PLUG
(FOR RG-58A/U, 58C/U CABLE)

DRAWING NO.
KJ-FKT1321XX-008-NT30G-50

FILE NO. F:\DWG\FKT\FA2\NXSP\C04\0