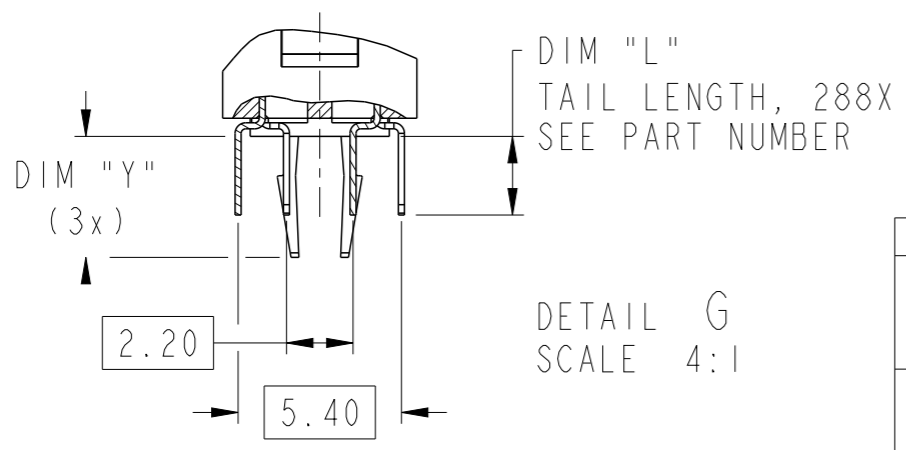
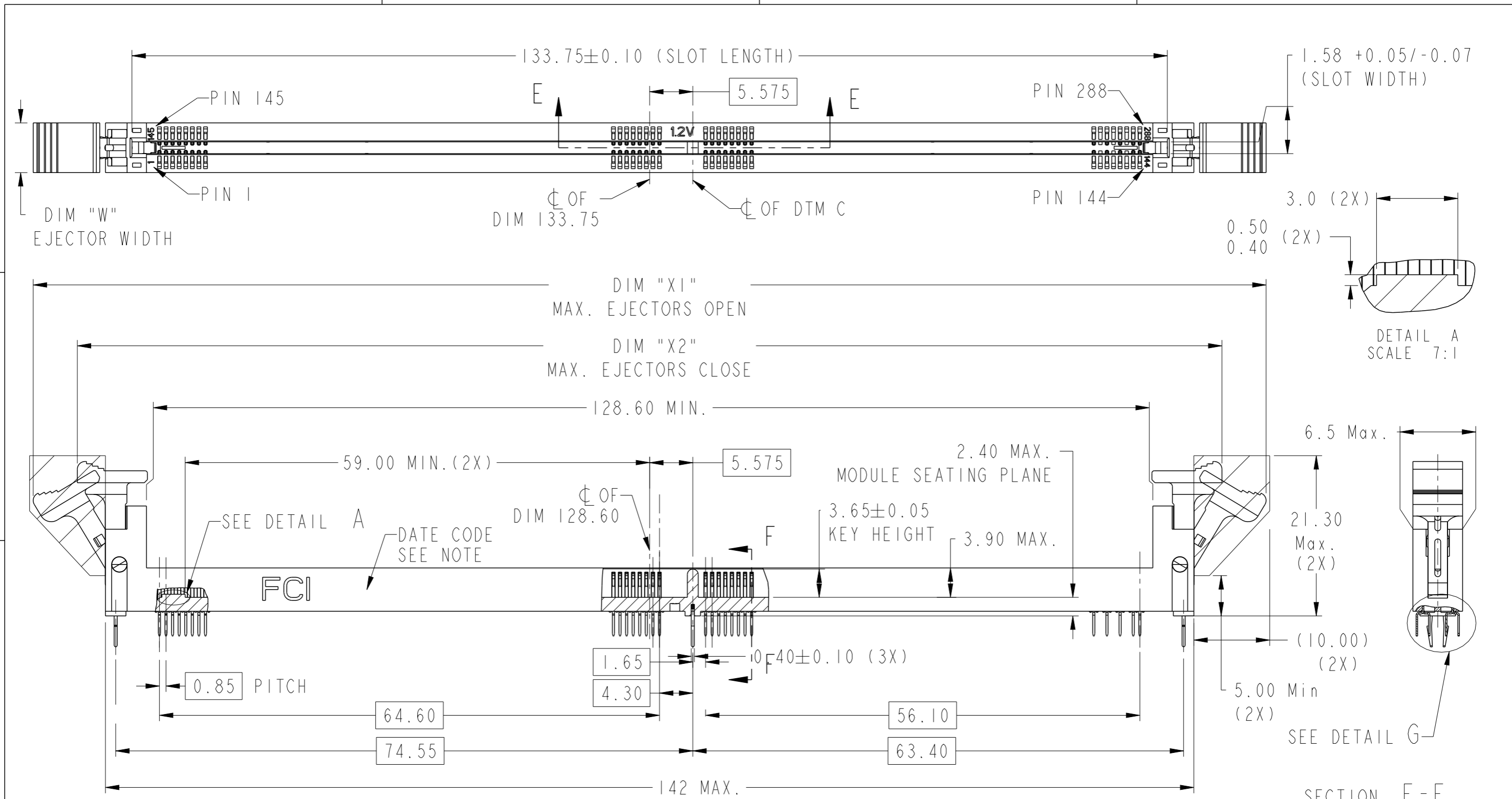


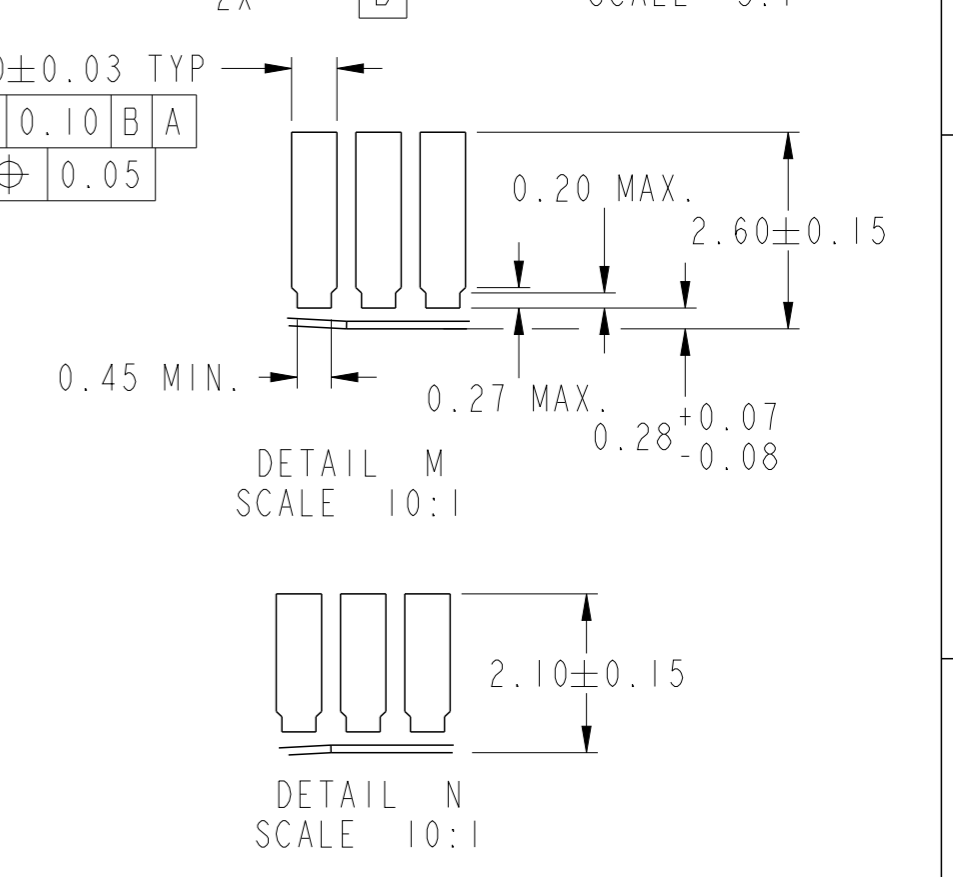
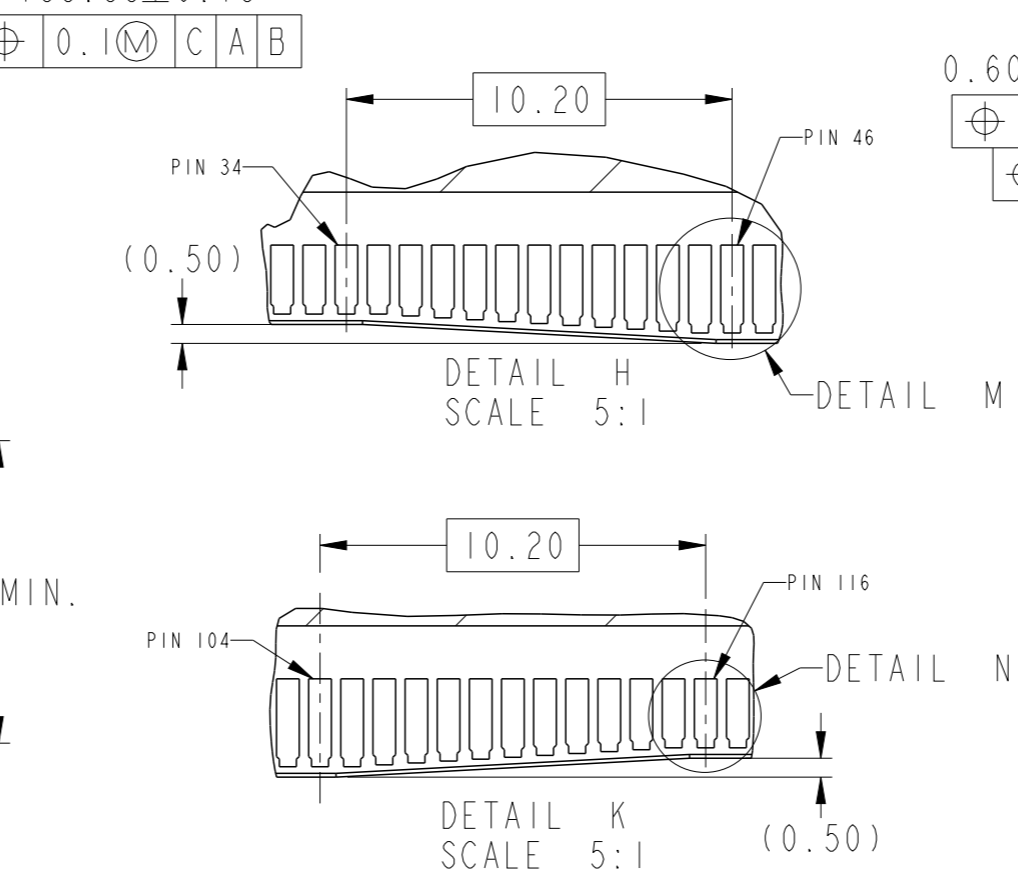
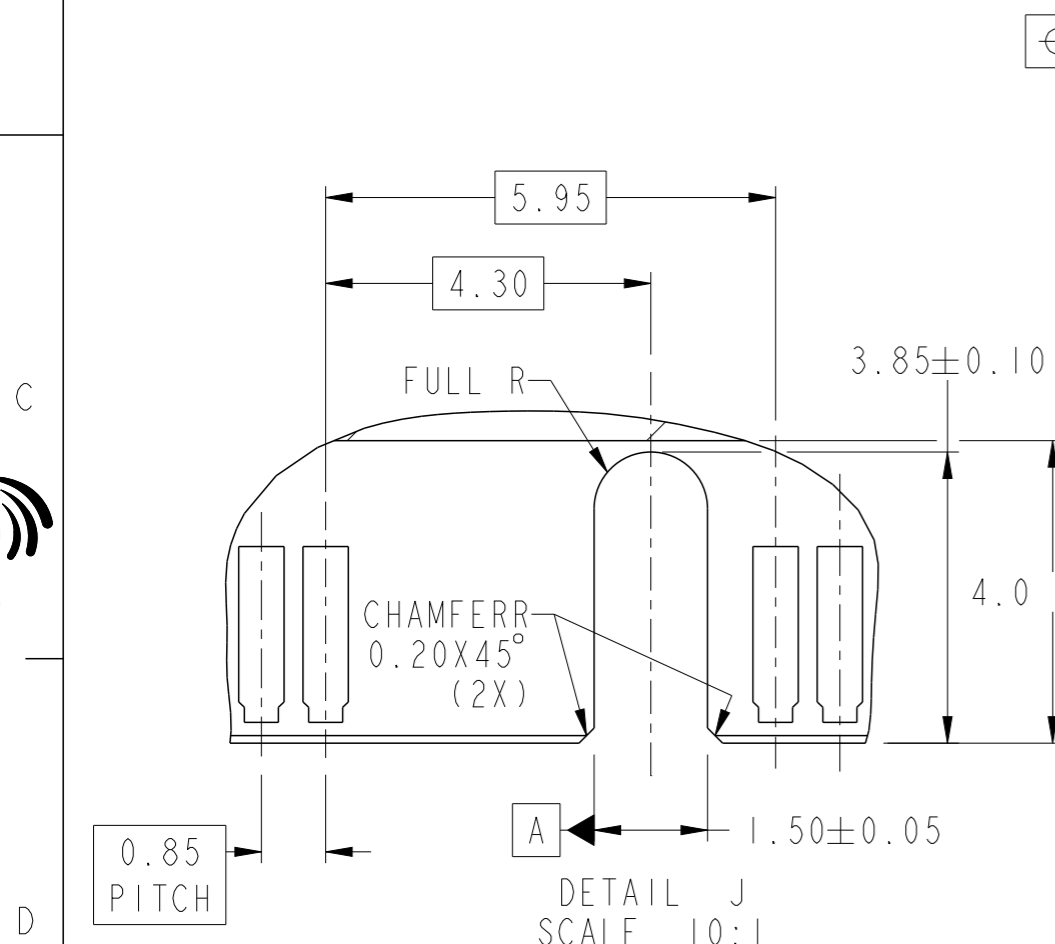
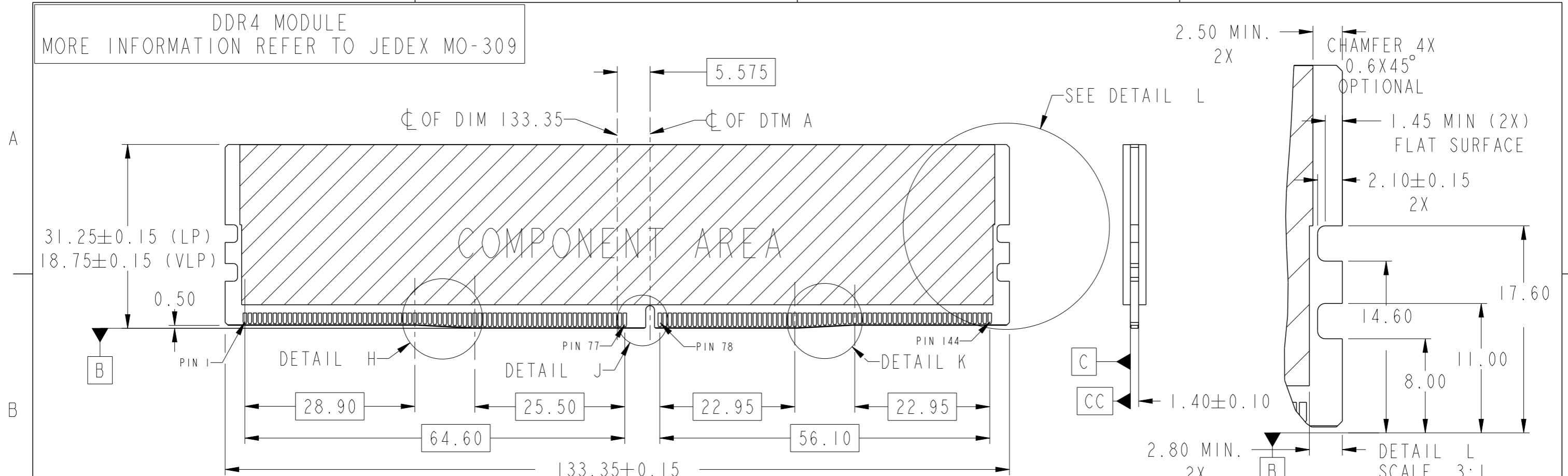


Copyright FCI.



spec ref	dr	Nickor Zuo	2014/02/04	projection	MM	size	A3	scale	7:5
tolerance std	eng	Jeny Ren	2015/07/17			ecn no	ELX-DG-21430-1	rel level	Released
TOLERANCES UNLESS OTHERWISE SPECIFIED	chr	Nickor Zuo	2015/07/20						
	surface	appr	Pei-Ming Zheng	2015/07/20	product family	-	rel level	Released	rev
ISO 1302	linear	0.X	±0.30		DDR4 288Pin DIMM CONNECTOR PTH TERMINATION (FOR CISCO)	dwg no 10129040	cat. no. -	Product - Customer Drw	sheet 1 of 5
	linear	0.XX	±0.20						
	angular	0°	±2°						

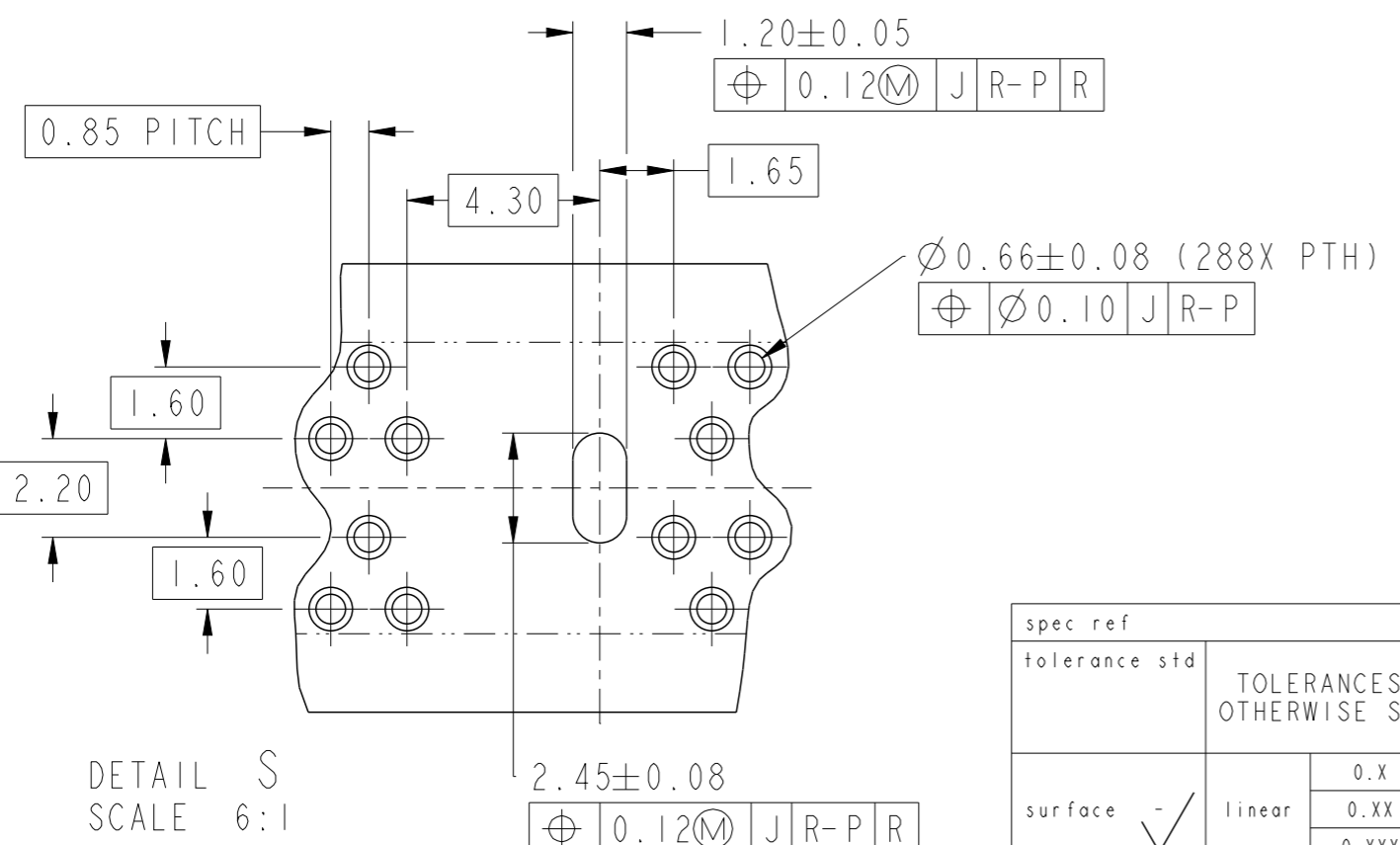
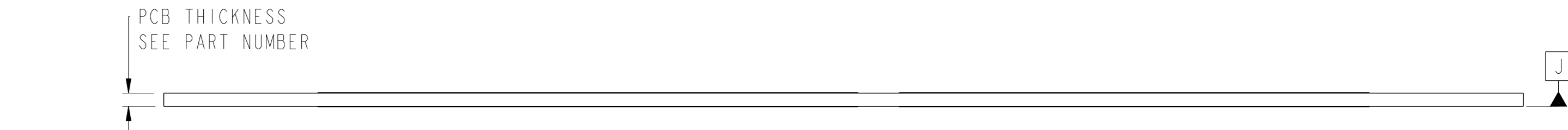
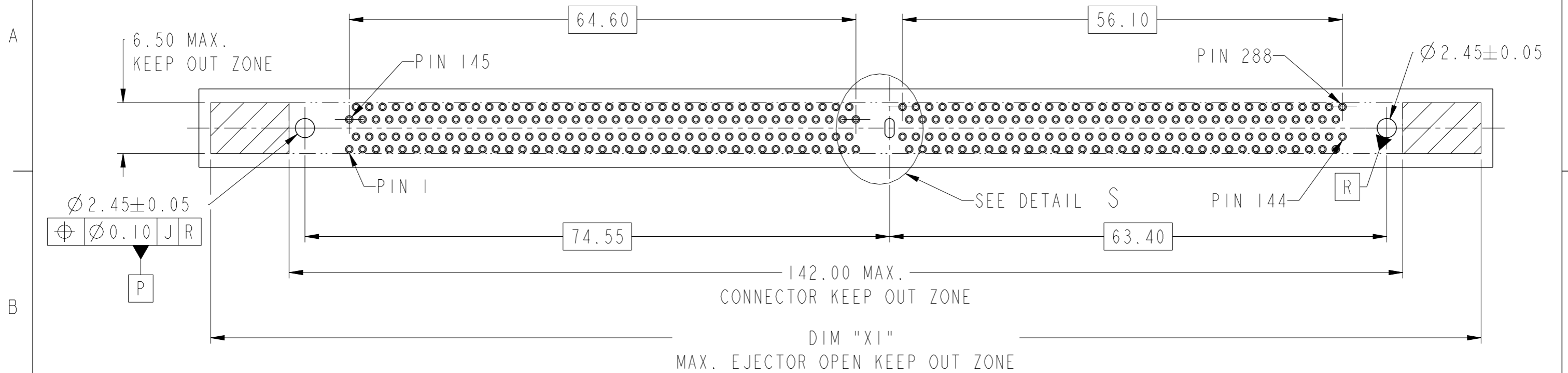
DDR4 MODULE
MORE INFORMATION REFER TO JEDEX MO-309



spec ref	dr	Nickor Zuo	2014/02/04	projection	MM	size	A3	scale	1:1	
tolerance std	eng	Jeny Ren	2015/07/17			ecn no	ELX-DG-21430-1			
TOLERANCES UNLESS OTHERWISE SPECIFIED surface ✓	chr	Nickor Zuo	2015/07/20			product family	-	rel level	Released	
	ISO 1302	appr	Pei-Ming Zheng	2015/07/20	product family	-	rel level	Released		
	linear	0.X	±0.30		DDR4 288Pin DIMM CONNECTOR PTH TERMINATION (FOR CISCO)	cat. no. -	Product - Customer Drw	sheet 2 of 5	dwg no 10129040	rev C
angular	0°	±2°	www.fci.com						PDS: Rev :C	STATUS:Released

Copyright FCI.

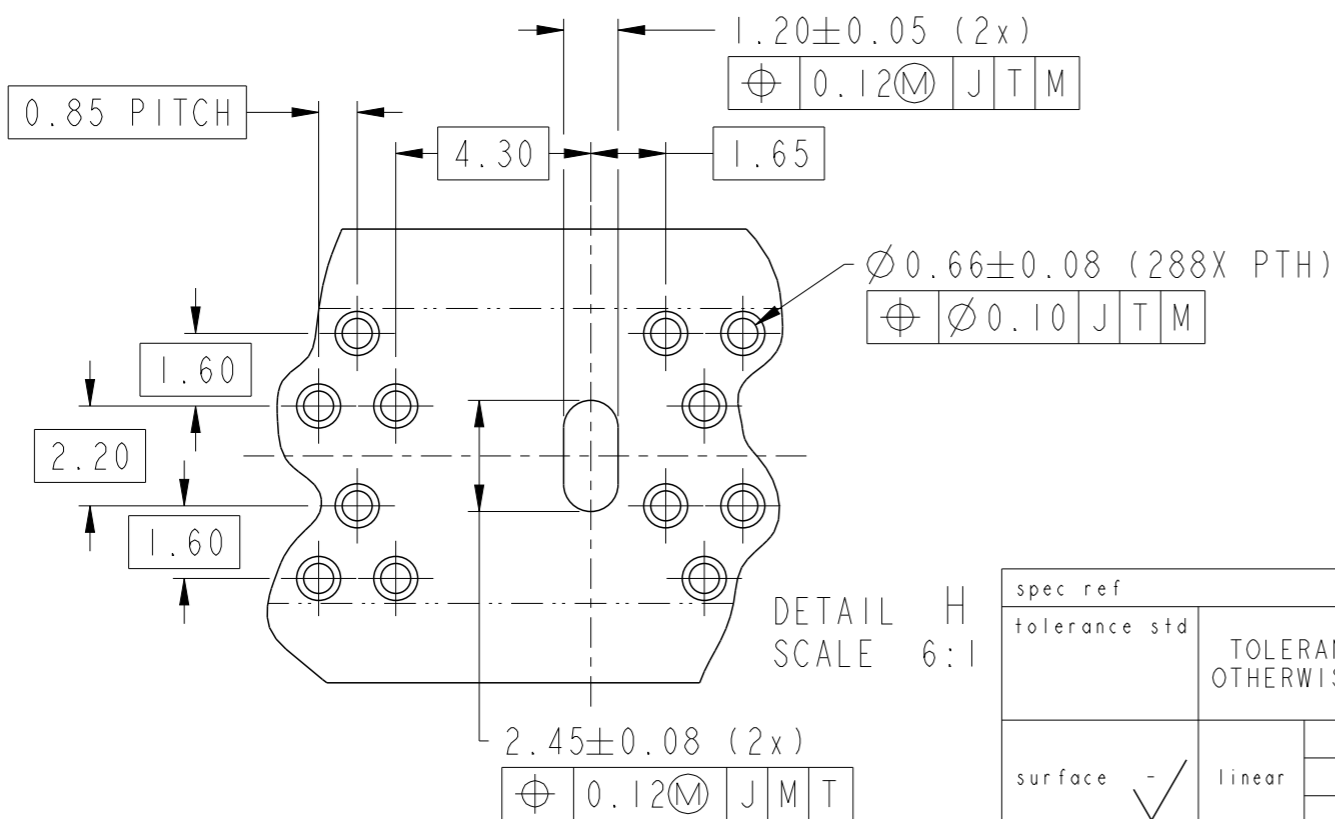
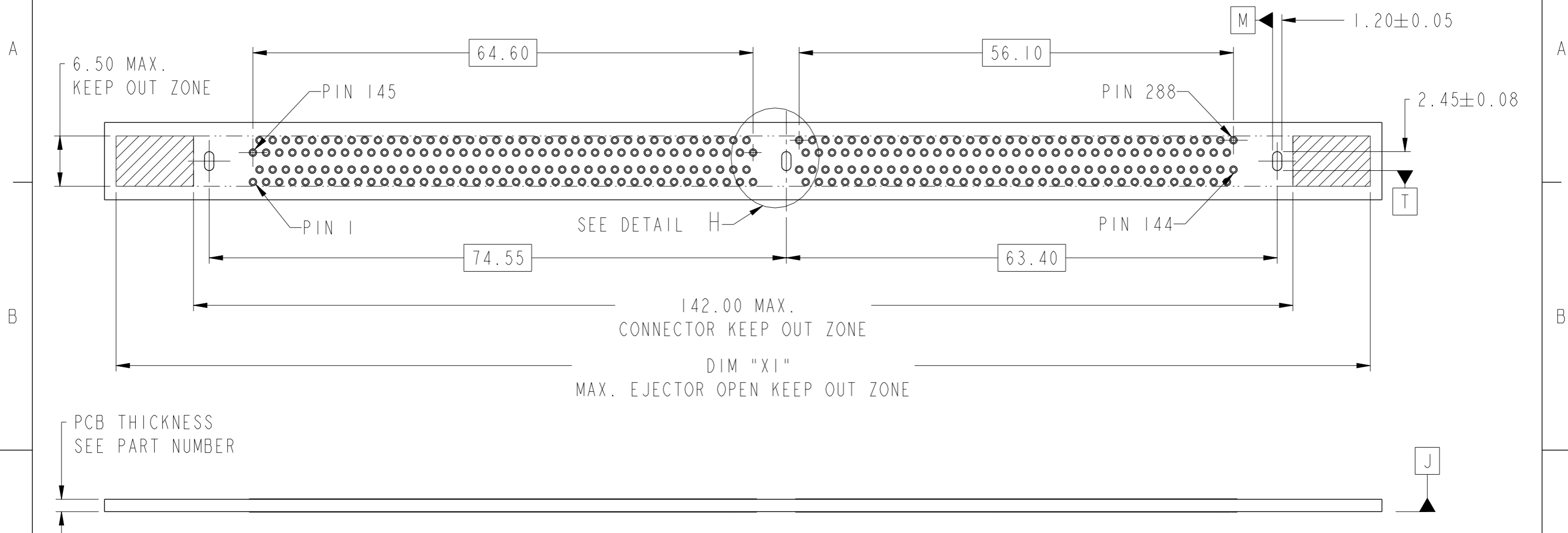
RECOMMENDED PCB LAYOUT OPTION I



DETAIL S
SCALE 6:1

spec ref	dr	Nickor Zuo	2014/02/04	projection	MM	size	A3	scale	2:1
tolerance std	eng	Jeny Ren	2015/07/17			ecn no	ELX-DG-21430-1		
TOLERANCES UNLESS OTHERWISE SPECIFIED		chr	Nickor Zuo			2015/07/20	rel level	Released	
surface	ISO 1302	appr	Pei-Ming Zheng	2015/07/20	product family			cat. no.	-
linear	0.X ±0.30			product family	DDR4 288Pin DIMM CONNECTOR		dwg no	10129040	rev
linear	0.XX ±0.20	www.fci.com		product family	PTH TERMINATION (FOR CISCO)		dwg no	10129040	C
linear	0.XXX ±0.10			product family	Product - Customer Drw		dwg no	10129040	sheet 3 of 5
angular	0° ±2°			product family	Product - Customer Drw		dwg no	10129040	sheet 3 of 5

RECOMMENDED PCB LAYOUT OPTION2



spec ref	dr	Nickor Zuo	2014/02/04	projection	MM	size	A3	scale	1:1
tolerance std	eng	Jeny Ren	2015/07/17			ecn no	ELX-DG-21430-1		
TOLERANCES UNLESS OTHERWISE SPECIFIED	chr	Nickor Zuo	2015/07/20			rel level	Released		
	surface	appr	Pei-Ming Zheng	2015/07/20	product family				
ISO 1302	linear	0.X	±0.30		DDR4 288Pin DIMM CONNECTOR PTH TERMINATION (FOR CISCO)	dwg no 10129040	rev C		
		0.XX	±0.20						
		0.XXX	±0.10						
	angular	0°	±2°	www.fci.com	cat. no.	-	Product - Customer Drw	sheet 4 of 5	

PRODUCT PART NUMBER

10129040-

ADDITIONAL REQUIREMENTS

0: RoHS COMPLIANT

HOLD DOWNS CONFIGURATIONS

0: 3 FORKLOCKS, DIM "Y"=4.00±0.25
 1: 3 FORKLOCKS, DIM "Y"=2.50±0.25
 2: 3 FORKLOCKS, DIM "Y"=3.78±0.25

DIM "L", TAIL LENGTH

0: 2.60±0.25
 1: 3.20±0.25
 3: 2.40±0.25
 4: 2.10+0.25/-0.15
 5: 2.95±0.25
 6: 2.80±0.15

HOUSING COLOR

0: NATURAL
 1: BLACK
 2: BLUE

EJECTOR TYPE

CODE	COLOR	DIM"X1" MAX. EJECTORS OPEN DISTANCE	DIM"X2" MAX. EJECTORS CLOSE DISTANCE	DIM"W" EJECTOR WIDTH
0	NATURAL	162.00	149.00	(6.42)
1	BLACK			
2	BLUE			

TAIL PLATING

LF: 100u" MIN. MATE TIN
 TL: 100u" MIN. TIN LEAD

CONTACT AREA PLATING

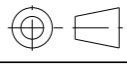


CODE	CONTACT AREA	UNDERPLATING
1	15u" MIN. GOLD	50u" MIN. NICKEL
3	30u" MIN. GOLD	
4	30u" MIN. GXT	
5	15u" MIN. GXT	90u" MIN. NICKEL
6	30u" MIN. GOLD	
7	15u" MIN. GOLD	

CONTACTS LUBRICATION

0: WITHOUT
 1: WITH

NOTES:

- MATERIALS:
 HOUSING: HIGH PERFORMANCE RESINS, GLASS FIBER FILLED, UL94 V-0 RATED.
 EJECTOR: HIGH PERFORMANCE RESINS, GLASS FIBER FILLED, UL94 V-0 RATED.
 TERMINAL: COPPER ALLOY
 FORKLOCK: COPPER ALLOY
- DATE CODE "MMDDYYL", MMDDYY IS ASSEMBLY DATE, L IS FCI PRODUCTION LINE.
- SPECIFICATION:
 PRODUCTION SPECIFICATION: FCI GS-12-1092.
 PACKAGE SPECIFICATION: FCI GS-14-2267.
 APPLICATION SPECIFICATION: FCI GS-20-0353.
- LEAD FREE PRODUCT MEETS EUROPEAN UNION DIRECTIVES AND OTHER COUNTRY REGULATIONS AS DESCRIBED IN FCI GS-22-008.
- THIS PRODUCT WILL WITHSTAND EXPOSURE TO 260°C PEAK TEMPERATURE FOR 10 SECONDS IN WAVE SOLDERING APPLICATION.
- INSERTION FORCE REFERENCE: 106.8 NEWTONS MAX. USING 1.50MM THICKNESS STEEL GAUGE PER JEDEC STANDARD.

dr	Nickor Zuo	2014/02/04		MM 	size	A3	scale	1:1
eng	Jeny Ren	2015/07/17			ecn no	ELX-DG-21430-1		
chr	Nickor Zuo	2015/07/20			rel level	Released		
appr	Pei-Ming Zheng	2015/07/20	product family	-	rev	C		
		DDR4 288Pin DIMM CONNECTOR PTH TERMINATION (FOR CISCO)		dwg no 10129040	cat. no. -	Product - Customer Drw	sheet 5 of 5	

