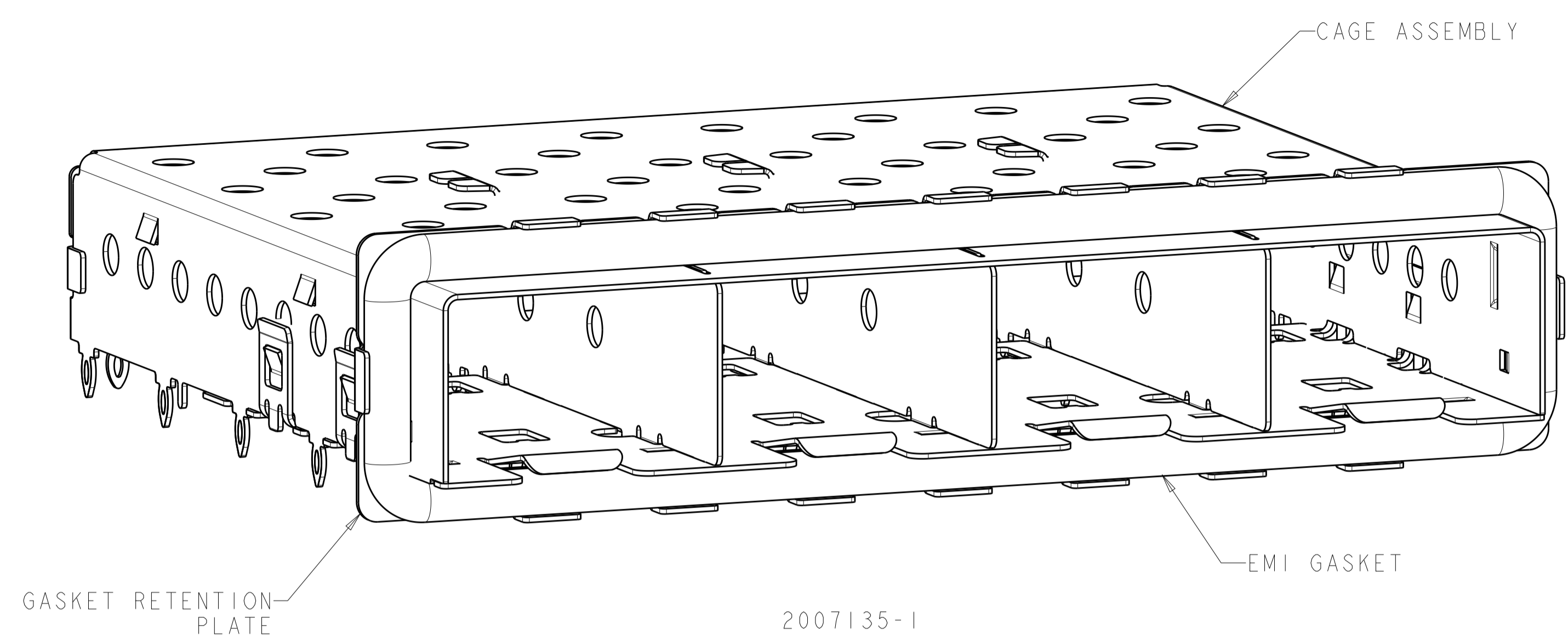
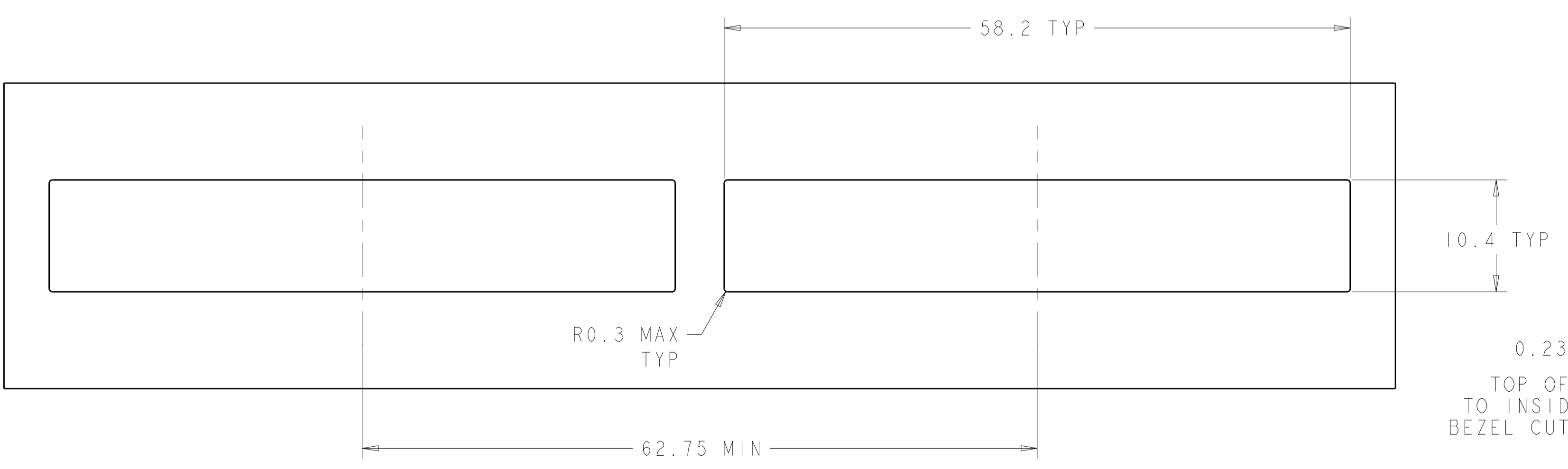
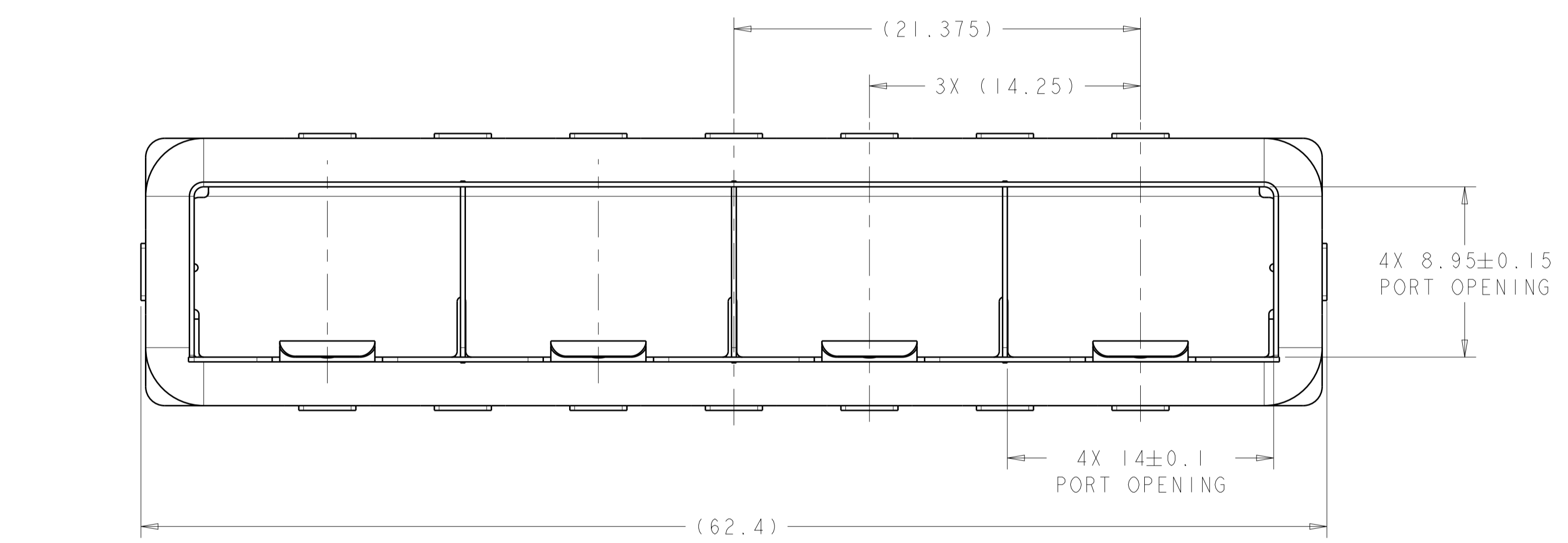


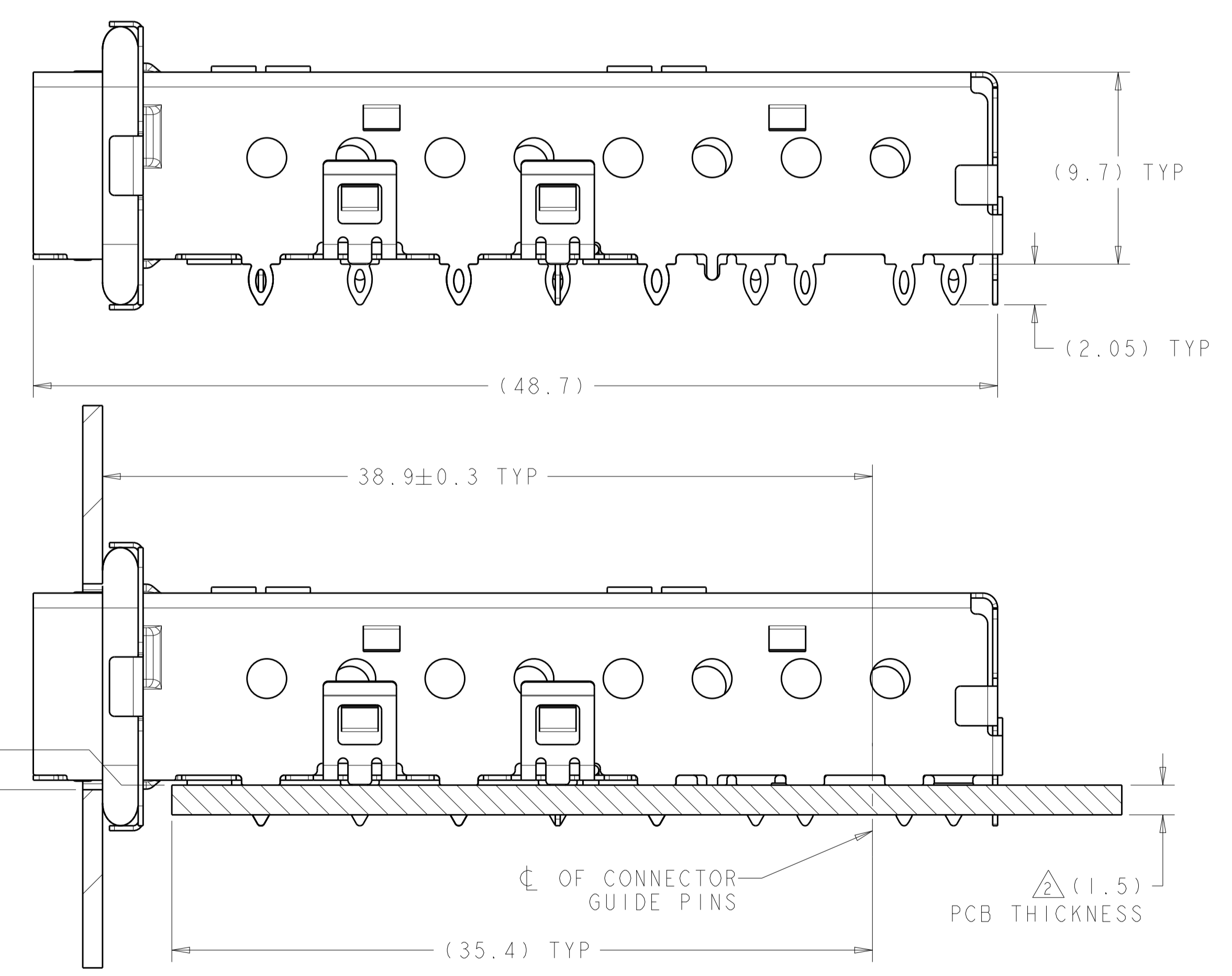
LOC	DIST	REVISIONS			
P	LTN	DESCRIPTION	DATE	DMN	APVD
GP	00				
B		RELEASED PER ECO-09-022874	90CT2009	ZMR	MRS
C		REVISED PER ECO-12-014021	29SEP2012	TD	AC



- 1. MATERIAL:  
CAGE ASSEMBLY: 0.25mm THICK NICKEL SILVER ALLOY  
GASKET RETENTION PLATE: STAINLESS STEEL  
GASKET: PLATED FILLED SILICONE
- 2. MINIMUM PC BOARD THICKNESS = 1.50mm.
- 3. PADS AND VIAS CHASSIS GROUND.
- 4. DATUM AND BASIC DIMENSION ESTABLISHED BY CUSTOMER.
- 5. MATES WITH SFP MSA COMPLIANT TRANSCEIVERS.
- 6. INTERPRETATION OF DATUM REFERENCE FRAME IN ACCORDANCE WITH SECT 4.4.1.1 OF ASME Y14.5M-1994.
- 7. REFERENCE APPLICATION SPEC. 114-13120, HOLE A, FOR RECOMMENDED DRILL HOLE DIAMETER AND PLATING THICKNESS.
- 8. REFERENCE APPLICATION SPEC. 114-13120, HOLE B, FOR RECOMMENDED DRILL HOLE DIAMETER AND PLATING THICKNESS.
- 9. HOLE PATTERN REPEATS FOR EACH PORT. SPACING BETWEEN PORTS IS 14.25mm.
- 10. PRODUCT COMPLIES WITH SPECIFICATION SFF-8433 IMPROVED PLUGGABLE FORM FACTOR FOR SFP+ GANGED CAGES.



RECOMMENDED BEZEL CUT-OUT  
SCALE 3:1



2007135-1  
MOUNTED PC BOARD  
SHOWN THRU RECOMMENDED BEZEL

2007135-1  
PART  
NUMBER

THIS DRAWING IS A CONTROLLED DOCUMENT.		DMN: M. SCHMITT 21JUN2007	TE Connectivity
DIMENSIONS: mm		CHK: M. SCHMITT 21JUN2007	
TOLERANCES UNLESS OTHERWISE SPECIFIED:		APVD: B. WERTZ 21JUN2007	NAME: SFP+ 1X4 CAGE ASSEMBLY PRESS FIT, EMI GASKET
0 PLC ±0.1		PRODUCT SPEC: 108-2364	
1 PLC ±0.1		APPLICATION SPEC: 114-13120	SIZE: A1 CAGE CODE: 00779 DRAWING NO: 2007135
2 PLC ±0.1		WEIGHT: -	
3 PLC ±0.1		Customer Drawing	RESTRICTED TO: -
4 PLC ±0.1		SCALE: 5:1	SHEET: 1 OF 2
ANGLES ±1°		REV: C	

