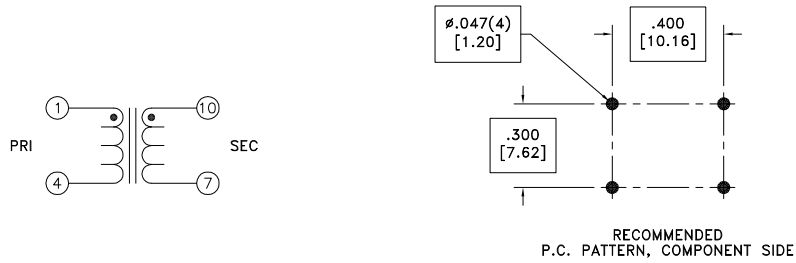
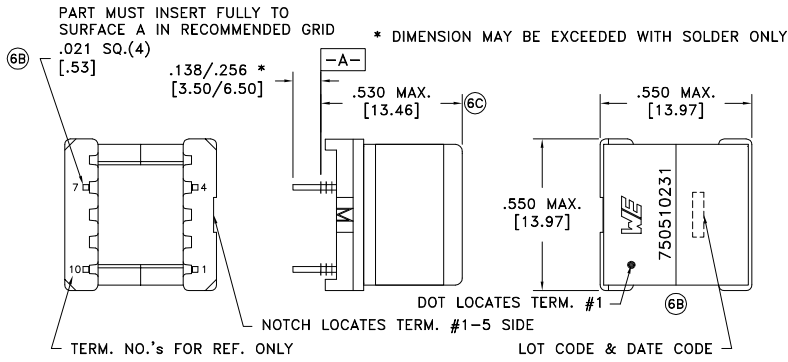


|                   |      |               |
|-------------------|------|---------------|
| CUSTOMER TERMINAL | RoHS | LEAD(Pb)-FREE |
| Sn96%, Ag4%       | Yes  | Yes           |

more than you expect



ELECTRICAL SPECIFICATIONS @ 25°C unless otherwise noted:

| PARAMETER                | TEST CONDITIONS                        | VALUE          |
|--------------------------|--|----------------|
| D.C. RESISTANCE          | 1-4 @20°C                              | 0.20 ohms max. |
| D.C. RESISTANCE          | 10-7 @20°C                             | 0.20 ohms max. |
| INDUCTANCE               | 1-4 100kHz, 1.0VAC, 0/15mADC, Ls       | 1.00mH ±25%    |
| LEAKAGE INDUCTANCE       | 1-4 tie(7+10), 75kHz, 100mVAC, Ls      | 1.0uH max.     |
| INTERWINDING CAPACITANCE | 1-10 tie(1+4, 7+10), 75kHz, 1.0VAC, Cs | 30pF max.      |
| DIELECTRIC               | 1-10 2000VAC, 1 second                 | -              |
| TURNS RATIO              | (1-4):(10-7)                           | 1:1, ±1%       |

GENERAL SPECIFICATIONS:

OPERATING TEMPERATURE RANGE: -20°C to +80°C.

6B Wire insulation & RoHS status not affected by wire color. Wire insulation color may vary depending on availability.

DETAILS SUBJECT TO CHANGE

|      |       |  |  |  |                                     |                              |
|------|-------|--|--|--|-------------------------------------|------------------------------|
| REV. | DATE  | Packaging Specifications<br>Method: Tray<br>PKG-0318<br>www.we-online.com/midcom |  | Tolerances unless otherwise specified:<br>Angles: ±1°<br>Fractions: ±1/64<br>Decimals: ±.005 [ .13]<br>Footprint: ±.001 [ .03] | DRAWING TITLE<br><b>TRANSFORMER</b> | PART NO.<br><b>750510231</b> |
| 6C   | 6/17  |  |  |  |                                     |                              |
| 6B   | 9/11  |  |  |  |                                     |                              |
| 6A   | 12/09 | SEE REVISION SHEET FOR REVISION LEVEL  |  | This drawing is dual dimensioned. Dimensions in brackets are in millimeters.   | eiSos p/n: 750510231                | SPECIFICATION SHEET 1 OF 1   |