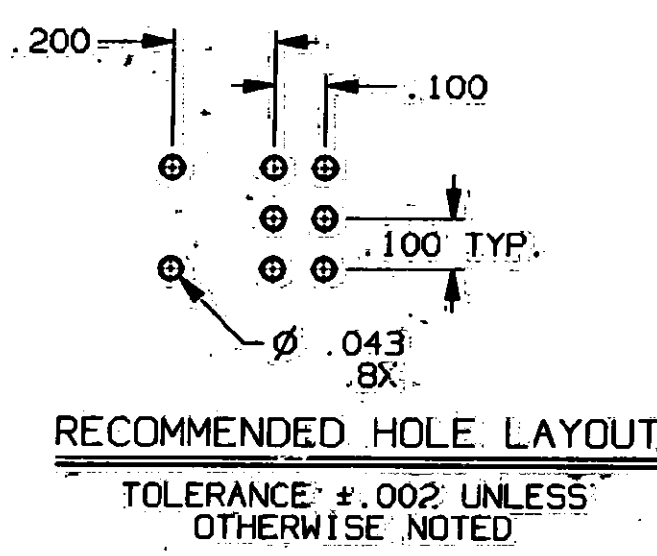
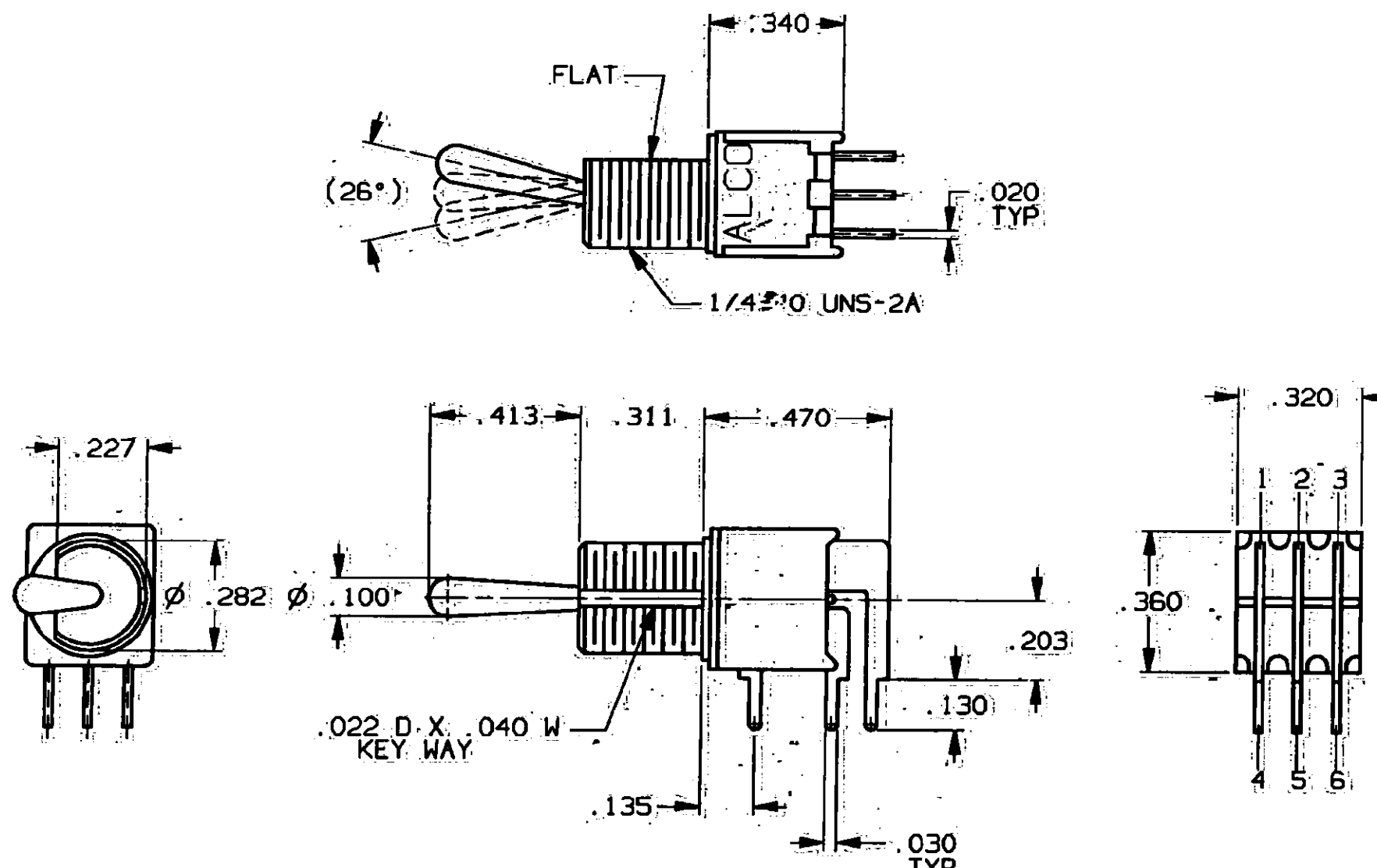


CONVERSION CHART	
INCH	MM
.002	0.05
.010	0.25
.020	0.51
.030	0.76
.040	1.02
.043	1.09
.098	2.49
.100	2.54
.130	3.30
.135	3.43
.200	5.08
.203	5.16
.227	5.76
.282	7.16
.311	7.90
.320	8.13
.340	8.64
.360	9.14
.380	9.65
.470	11.9



2 SPECIFICATIONS:

MATERIALS:
CASE: HIGH TEMPERATURE POLYESTER
FRAME: STEEL, TIN PLATED
ACTUATOR: COPPER ALLOY, GOLD OVER NICKEL PLATE
MOVABLE CONTACT: COPPER ALLOY, GOLD OVER NICKEL PLATE
STATIONARY CONTACT: COPPER ALLOY, GOLD OVER NICKEL PLATE
TERMINALS: COPPER ALLOY, IN LEAD PLATED
TERMINAL SEAL: EPOXY

ELECTRICAL:
CONTACT RATING: 0.4 VA @ 20 VDC OR PEAK AC
INITIAL CONTACT RESISTANCE: 20 MILLIOHMS MAX.
INSULATION RESISTANCE: 1,000 MEGOHMS AT 500 VDC MIN.
DIELECTRIC STRENGTH: 1,000 VOLTS RMS AT SEA LEVEL
LIFE EXPECTANCY: 80,000 CYCLES (2 POSITION)
60,000 CYCLES (3 POSITION)

ENVIRONMENTAL:
OPERATING TEMPERATURE: -22°F TO +185°F (-30°C TO +85°C)
STORAGE TEMPERATURE: -67°F TO +185°F (-55°C TO +85°C)

2 NOTES:

- INTERPRET DRAWING PER ASME Y14.5M-1994.
- SUPPLIED WITH MOUNTING HARDWARE.

TERMINALS CONNECTED WHEN TOGGLE IN POSITIONS SHOWN			
SWITCH ACTION CODE (*)			
N	2 TO 3 5 TO 6	NONE	2 TO 1 5 TO 4
P	2 TO 3 5 TO 6	OFF	2 TO 1 5 TO 4
R	2 TO 3 (COM) 5 TO 6	NONE	2 TO 1 5 TO 4
PA	2 TO 3 5 TO 6	2 TO 1 5 TO 4	2 TO 1 5 TO 4

NOTE:
DESIGNATION NUMBERS ARE FOR REFERENCE ONLY AND DO NOT APPEAR ON THE SWITCHES.

OBSOLETE

AUGAT D/N 40024

2 CUSTOMER DRAWING
SPECIFICATIONS ARE SUBJECT TO CHANGES WITHOUT NOTICE

 THIRD ANGLE PROJECTION TOLERANCES (EXCEPT AS NOTED) ANGULAR = ±1° DECIMAL .XX = ±.010 DECIMAL .XXX = ±.010 DECIMAL .XXXX = ±.010 TYCO CONFIDENTIAL This document contains information which is the exclusive property of TYCO ELECTRONICS Distribution, reproduction or use by others is not permitted without the expressed written consent of Augat	UNLESS OTHERWISE SPECIFIED DIMENSIONS ARE IN INCHES. DO NOT SCALE PRINT FILE NAME: DIRECTORY:	ORIGINAL DATE OF DRAWING: 5-8-80 DRAWN: R. WICIEL DATE: 5-8-80	TYCO ELECTRONICS TITLE: CUSTOMER DRAWING SUBMINIATURE TOGGLE SWITCH, DOUBLE POLE - RA (TT21(*)6-RA-9T 1/4) DWG. NO: 2-1437562-1 REV. C PRODUCT CODE: A51
	MATERIAL: SEE SPECIFICATIONS	CHECKED: B. BUCKHEIT DATE: 5-8-80 APPROVED: TKJ DATE: 5-8-80	
	FINISH: SEE SPECIFICATIONS	CODE IDENT. NO. 91506 DWG. SIZE C	

REV	C
REVISIONS	0G3C-0194-05 MZ 28MAR07