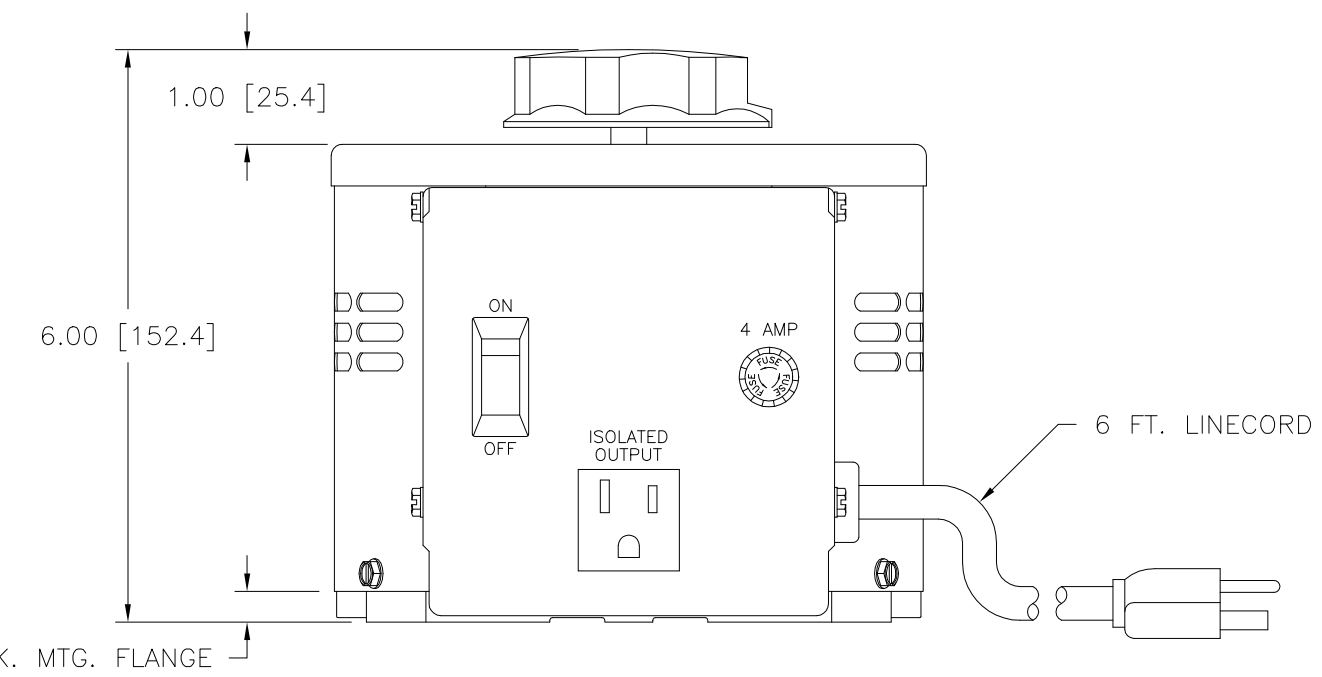
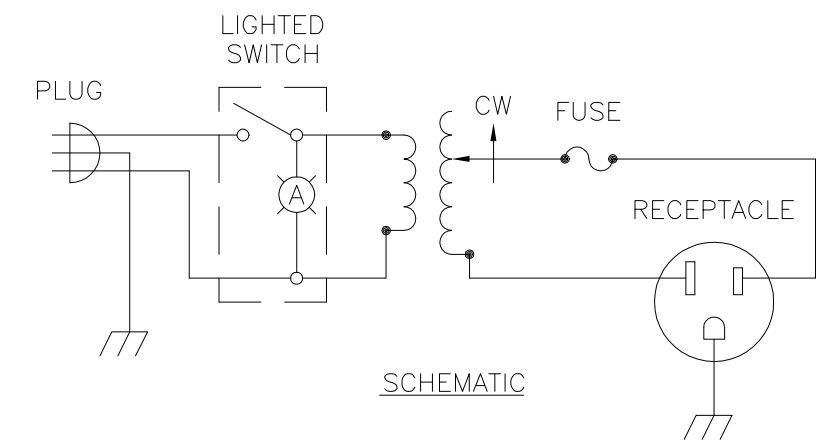


.34 [8.7] DIA. HOLE
 4 PLACES FOR
 CUSTOMER MOUNTING



SPECIFICATIONS					
WIRING	INPUT		OUTPUT		
	VOLTS	HERTZ	VOLTS	CONSTANT CURRENT LOAD	
SINGLE PHASE	120	50/60	0-140	MAX. AMPS	MAX. KVA
				4	0.56

UNLESS OTHERWISE SPECIFIED, TOLERANCE IS # DECIMALS .XX .XXX .06 .005 HOLES .01 ANGLES 1° DRAFT 1-1/2° UNITS IN [mm] MATERIAL: ALL DIMENSIONS APPLY AFTER PLATING

DATE: 6/4/96
 DRAWN BY: S.A. SMITH
 CHECKER: DATE: SCALE: 1=1
 ENGINEER: DATE: SCALE: 1=1

DATE: 6/4/96
 FIRST USED ON: 3PNJ401B
 WEIGHT APPROX.: 21 LBS
 SCALE: 1=1

DO NOT SCALE DWG.
 CODE IDENT. NO. 83008
 SHEET 1 OF 1

CUSTOMER APPROVAL: DATE: DWG. NO. 031-8875

STACO
 ENERGY PRODUCTS CO.
 A COMPONENTS CORPORATION OF AMERICA COMPANY
 DAYTON, OHIO U.S.A.

.32 [8.1] THK. MTG. FLANGE