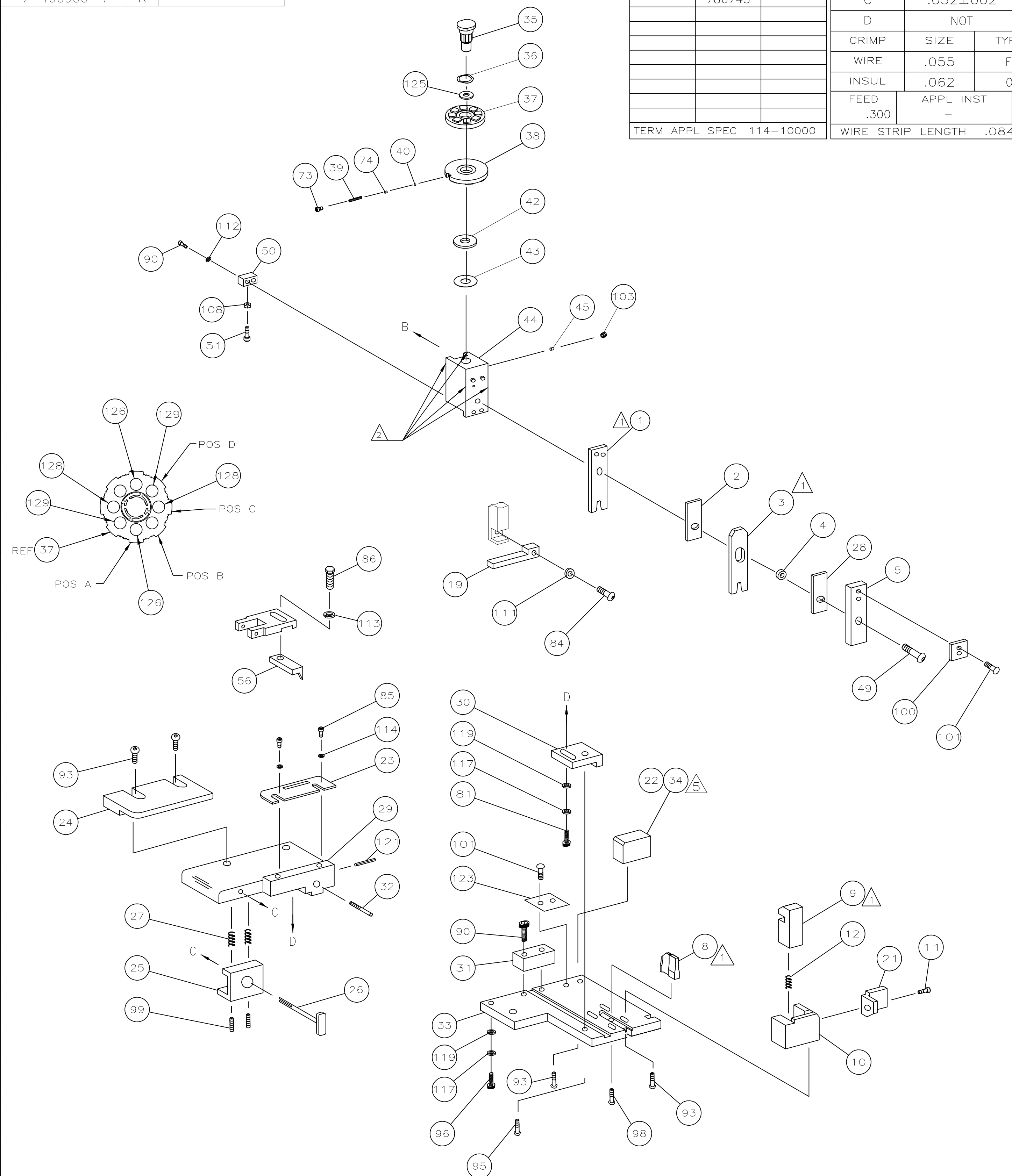


PART NUMBER	REV	FIRST USED
466900-1	S	854040-3
7-466900-7	R	-

TERMINAL NAME:		CRIMPING DATA	
SIZE	20DE	AMPLIMITE	20
PIN	66506	SOCKET	66504
	745037		748321
	166053		166051
	786743		
VISIBLE PAD LTR	A	CRIMP HEIGHT	NOT USED
	B		NOT USED
	C	.032±.002	20,22,24
	D	NOT	USED
CRIMP	SIZE	TYPE	RANGE
WIRE	.055	F	24-22
INSUL	.062	0	.050-.054
FEED	.300	APPL INST	SET UP GAGE
		-	-
			644
TERM APPL SPEC	114-10000	WIRE STRIP LENGTH	.084-.104

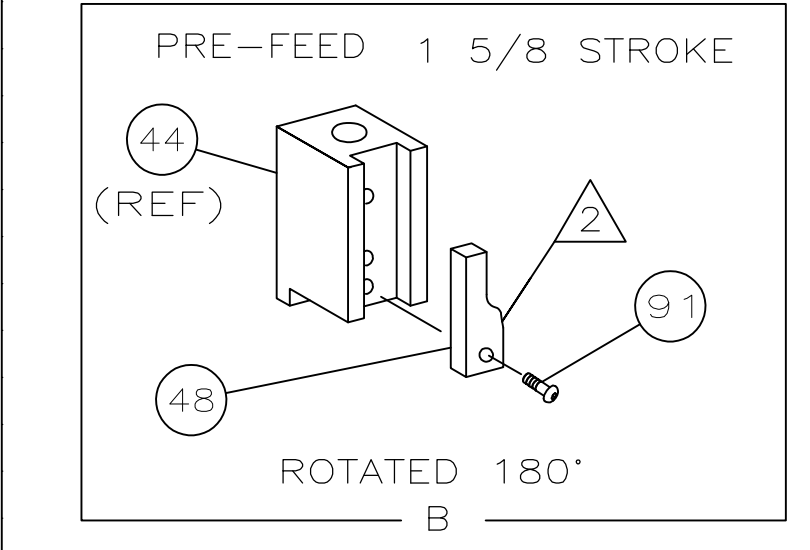
LOC	DIST	REVISIONS			
A	66	REV	DESCRIPTION	DATE	BY
		S	ECR-07-024290	10-2007	MY



- 1 RECOMMENDED SPARE PARTS.
- 2 GREASE LIGHTLY.
- 3 ITEM NOT SHOWN
- 4 WIRE SIZE # 20 & INSULATION DIA TO .060 ONLY WHEN APPROVED BY APPLICATION ENGINEERING.
- 5 USE TERMINAL SUPPORT 1-690786-4 FOR PIN AND USE 690786-6 FOR ALL SOCKET TYPE TERMINALS.

QTY REQD PER ASSY	U/M	PART NO	DESCRIPTION	ITEM NO		
				129		
				128		
				127		
-	2	5-354779-8	PIN, WIRE DISC (.3280)A	126		
-	1	986950-1	WASHER, FLAT PRECISION	125		
				124		
-	1	690701-2	PLATE, SERIAL NO.	123		
				122		
-	1	4-21028-0	PIN,SLT SPR(Ø.093x.75)ST GDE PL	121		
				120		
-	2	21899-2	WASHER,FLAT(#10)S G ADJ BLK	119		
				118		
-	2	21024-5	WASHER, LOCK(#10)ADJ BLOCK	117		
				116		
				115		
-	2	21024-2	WASHER,LOCK(#4)FRONT STP GUIDE	114		
-	REF	21024-4	WASHER,LOCK(#8)FEED FINGER	113		
-	2	21024-4	WASHER,LOCK(#8)DEP-HOLD	112		
-	REF	21024-4	WASHER,LOCK(#8)STRIPPER	111		
				110		
				109		
-	1	21018-5	NUT,HEX(#6)HOLD DOWN	108		
				107		
				106		
				105		
				104		
-	1	21009-2	SCR,SKT SET(1/4-20x.25 LW)RAM	103		
				102		
-	4	21017-2	SCR,DRIVE(#2x.19)ID PLATE	101		
-	1	819347-1	PLATE, IDENTIFICATION	100		
-	2	5-21006-6	SCR,SET(10-32x.75)DRAG	99		
-	1	22733-8	SCR,BHC(8-32x.38 LW)ANVIL	98		
				97		
-	1	3-21000-8	SCR,SHC(10-32x.88)MOUNTING	96		
-	1	2-21002-7	SCR, BHC, 10-32 x .50	95		
				94		
-	6	2-21002-2	SCR,BHC(8-32x.50)R STP GDE	93		
				92		
-	1	1-21002-7	SCR,SHC(6-32x.50)CAM	91		
-	4	2-21000-7	SCR,SHC(8-32x.50)SCR BLK	90		
				89		
				88		
				87		
-	REF	2-22603-0	SCR,HEX HD(8-32x.31)FEED FINGER	86		
-	2	1-21000-3	SCR,SHC(4-40x.25)F ST GUIDE	85		
-	REF	22733-9	SCR,BHC(8-32x.50 SL)STRIPPER	84		
				83		
				82		
-	1	3-22603-1	SCR, HEX HD 10-32 x .38	81		
				80		
				79		
				78		
-	2	463310-6	BLADE, STRIPPING (#22)	77		
				76		
				75		
-	1	690603-1	SPRING, ASSIST	74		
-	1	23030-1	SCR,SKT CAP(6-32x.25)CP DSC	73		
				72		
				71		
-	77	-1	U/M	PART NO	DESCRIPTION	ITEM NO

QTY REQD PER ASSY	U/M	PART NO	DESCRIPTION	ITEM NO	
				70	
				69	
				68	
				67	
				66	
				65	
				64	
				63	
				62	
				61	
				60	
				59	
				58	
				57	
-	REF	-	694433-8	PAWL, FEED	56
					55
					54
					53
					52
-	1	-	811242-2	BUMPER, HOLDDOWN	51
-	1	-	690753-1	SPACER, TONKER	50
-	1	-	7-21002-9	BOLT, CRIMPER(5/16x1.00)	49
-	1	-	690602-6	CAM, PRE-FEED 1.62 STROKE	48
					47
					46
-	1	-	690191-1	PLUG, NYLON	45
-	1	-	455673-3	RAM	44
-	1	-	690125-1	WASHER, LAMINATED	43
-	1	-	690124-1	WASHER, RAM	42
					41
-	1	-	23241-6	BALL, STEEL	40
-	1	-	690170-1	SPRING, COMPRESSION	39
-	1	-	690142-4	DISC, INSULATION	38
-	1	-	354777-1	WIRE DISC, PLASTIC	37
-	1	-	22480-5	WASHER, SPRING	36
-	1	-	690212-1	POST, RAM	35
-	1	-	1-690786-4	SUPPORT, TERMINAL	34
-	1	-	462544-1	PLATE, BASE SPECIAL	33
-	1	-	690432-3	SCREW, ADJUSTMENT	32
-	1	-	462543-1	BLOCK, SCREW SPECIAL	31
-	1	-	455689-1	BLOCK, STRIP GUIDE ADJ	30
-	1	-	455671-8	PLATE, STRIP GUIDE	29
-	1	-	1-455888-0	SPACER, FRONT SHEAR DEP	28
-	2	-	1-22282-3	SPRING, DRAG	27
-	1	-	690546-1	LEVER, DRAG RELEASE	26
-	1	-	240792-1	DRAG, TERMINAL	25
-	1	-	6-690504-3	GUIDE, STRIP (REAR)	24
-	1	-	690438-1	GUIDE, STRIP (FRONT)	23
-	1	-	690786-6	SUPPORT, TERMINAL	22
-	1	-	463756-1	GUIDE, SCRAP	21
					20
-	REF	-	462615-1	STRIPPER	19
					18
					17
					16
					15
					14
					13
-	1	-	3-22280-3	SPRING, SHEAR	12
-	1	-	690461-2	STOP, SHEAR (FRONT)	11
-	1	-	462548-1	HOLDER, SHEAR (FRONT) SP	10
-	1	-	462547-1	SHEAR, FLOAT (FRONT) SP	9
1	1	-	3-662183-1	ANVIL	8
					7
					6
-	1	-	462838-1	DEPRESSOR, SHEAR (FRONT) SP	5
-	1	-	2-238011-0	SPACER, BLOCK CRIMPER	4
1	1	-	5-456135-7	CRIMPER, INSULATION	3
-	1	-	455888-2	SPACER, CRIMPER	2
1	1	-	1-456402-5	CRIMPER, WIRE	1



THIS DRAWING IS A CONTROLLED DOCUMENT.

DIMENSIONS: INCHES	TOLERANCES UNLESS OTHERWISE SPECIFIED:	DATE: 9/17/93	BY: D.SALTZER
0 PLC ± .005	1 PLC ± .005	10-26-93	CHK: C.ERISMAN
2 PLC ± .005	3 PLC ± .005	10-26-93	APVD: E.KOOTIE
4 PLC ± .005	ANGLES ± .005	NAME: STRIPPER CRIMPER APPLICATOR	

MATERIAL: FINISH: WEIGHT: SCALE: SHEET 1 OF 1 REV S