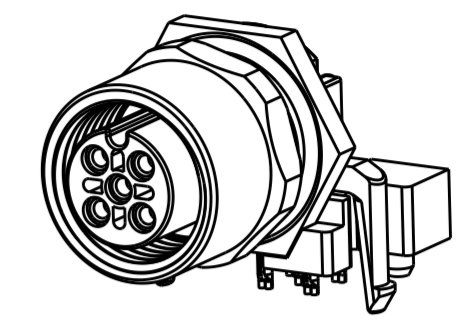
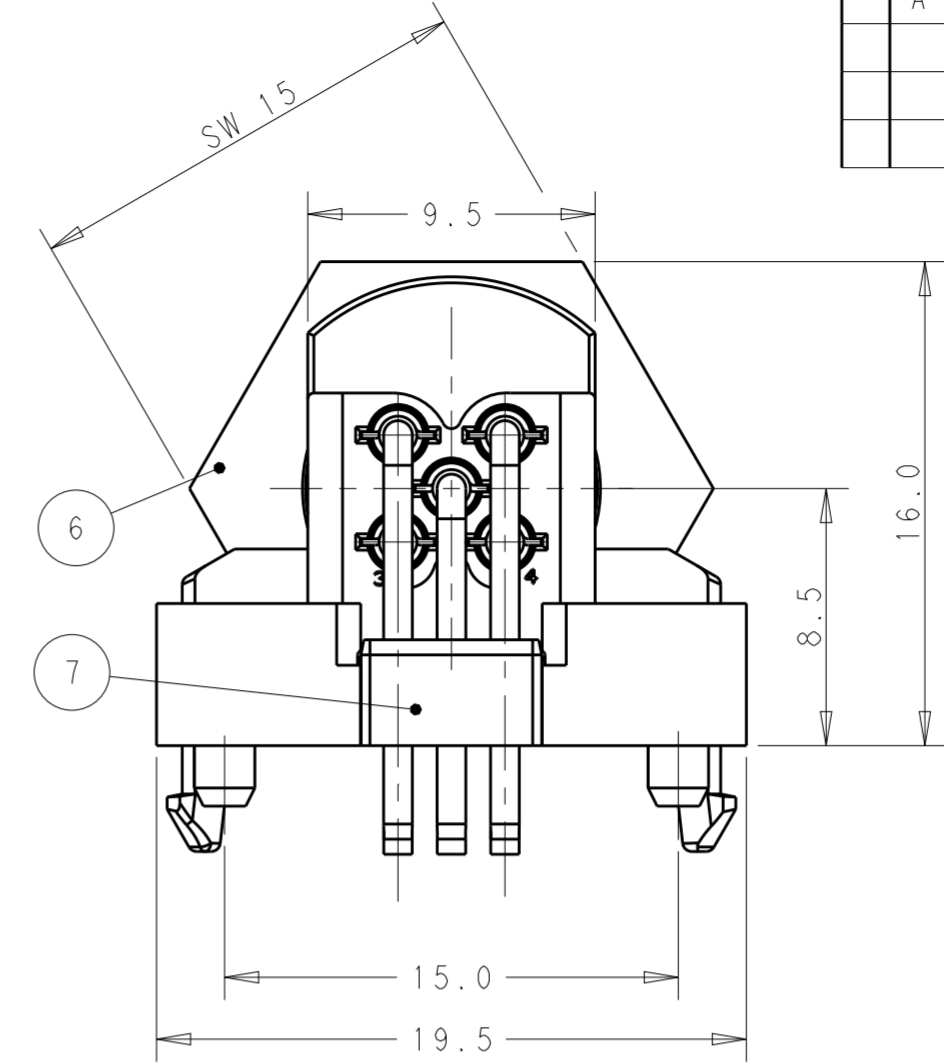
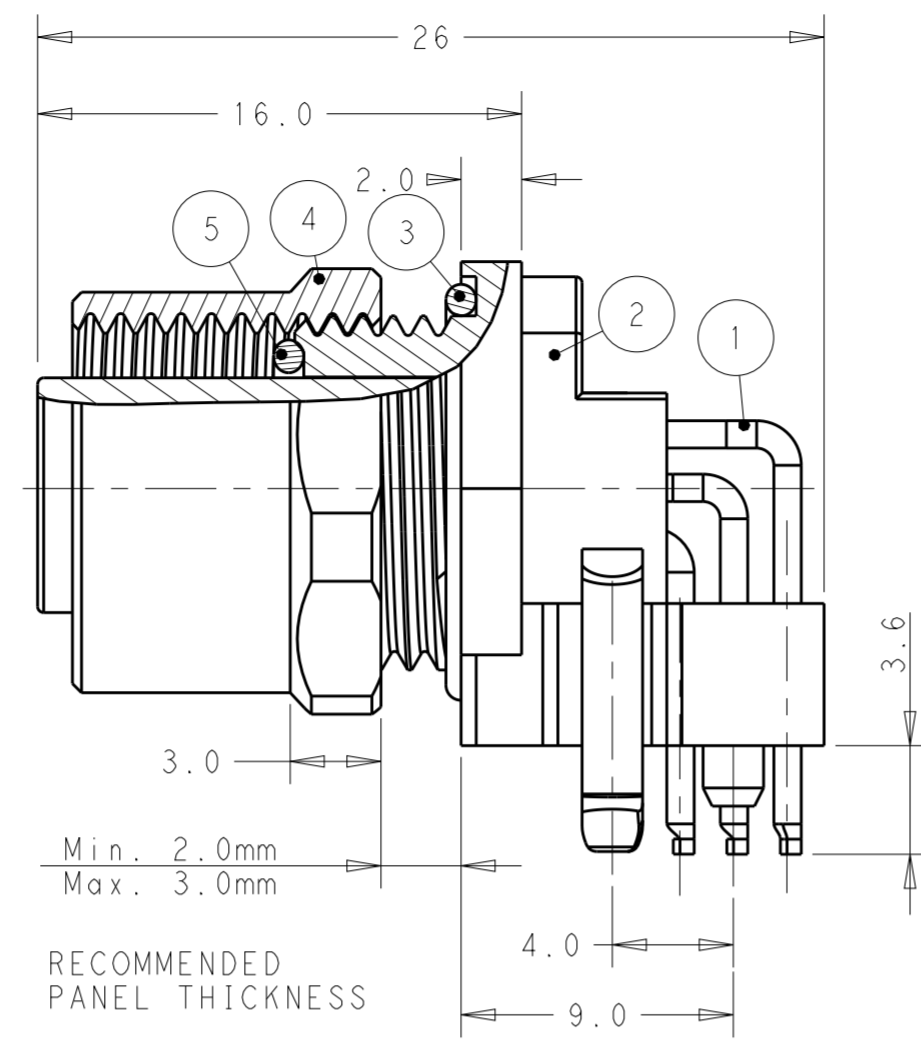
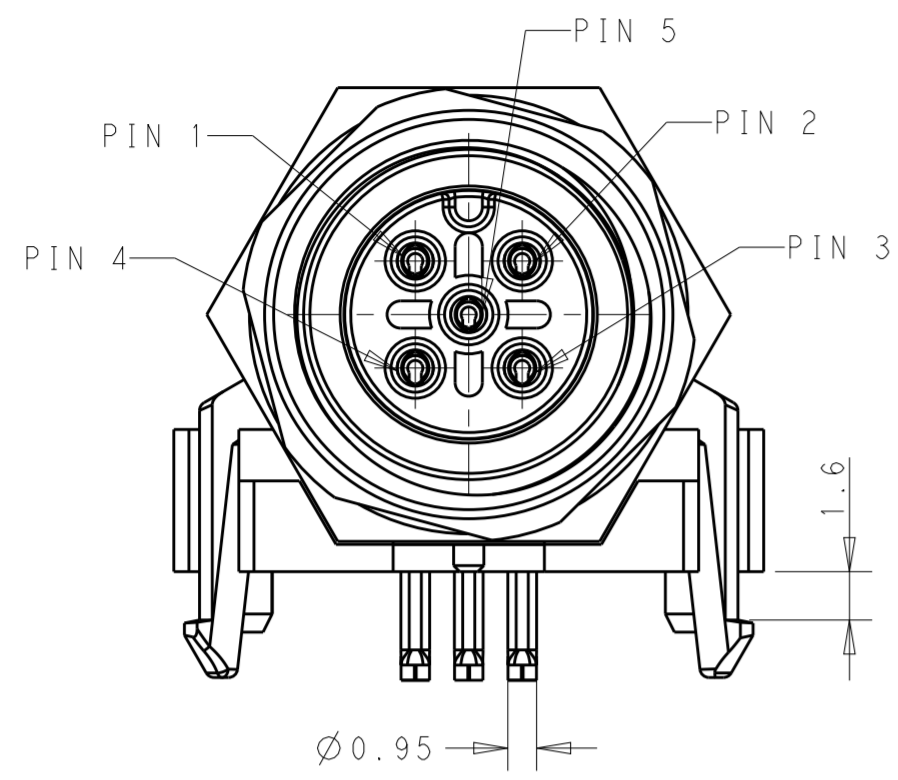


THIS DRAWING IS UNPUBLISHED. RELEASED FOR PUBLICATION  
 © COPYRIGHT copyright.d8Te- ALL RIGHTS RESERVED.

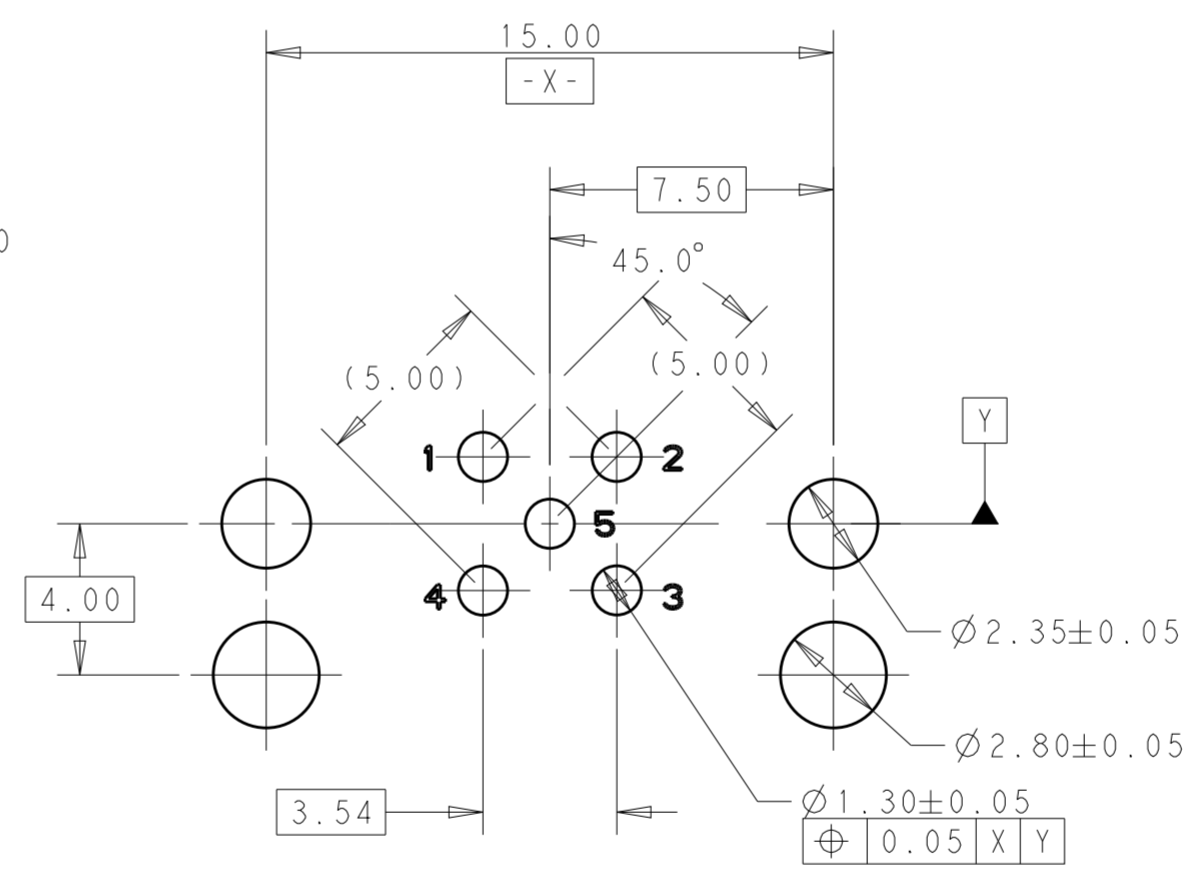
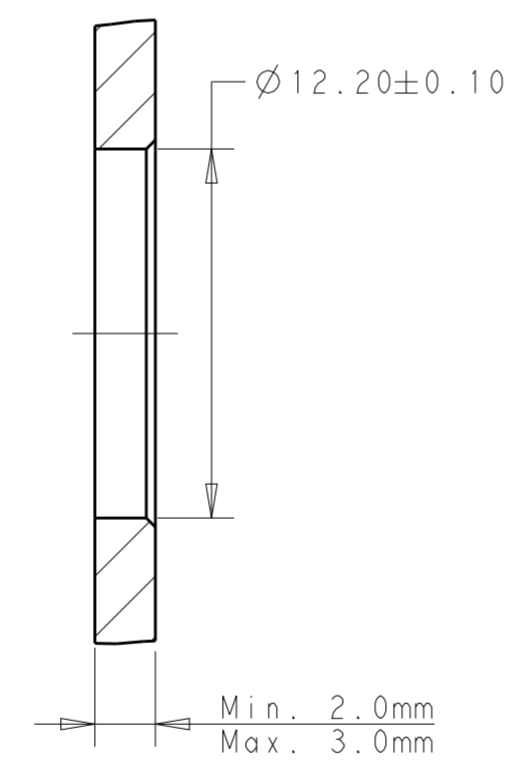
REVISIONS				
P	LTR	DESCRIPTION	DATE	DWN APVD
	A	INITIAL RELEASE	27OCT2016	N.P X.X



- NOTES:
1. TECHNICAL DATA: SEE TABLE 1
  2. PIN ARRANGEMENT: SEE TABLE 2
  3. RECOMMEND TORQUE 0.6Nm
  4. ALL PRODUCT MUST COMPLIANCE WITH ROHS AND REACH.

TABLE 1

TECHNICAL DATA	T4145015021-001	T4145015031-001	T4145015041-001	T4145015051-001
RATED VOLTAGE	250V	250V	250V	60V
TATED IMPULSE VOLTAGE	2500V	2500V	2500V	1500V
RATED CURRENT	4A	4A	4A	4A
POLLUTION DEGREE	3	3	3	3
OVERVOLTAGE CATEGORY	II	II	II	II
MATERIAL GROUP	II	II	II	II
CONTACT RESISTANCE	≤5mΩ	≤5mΩ	≤5mΩ	≤5mΩ
INSULATION RESISTANCE	>100MΩ	>100MΩ	>100MΩ	>100MΩ
DEGREE OF PROTECTION	IP67	IP67	IP67	IP67
OPERATION TEMPERATURE	-40~85°C	-40~85°C	-40~85°C	-40~85°C

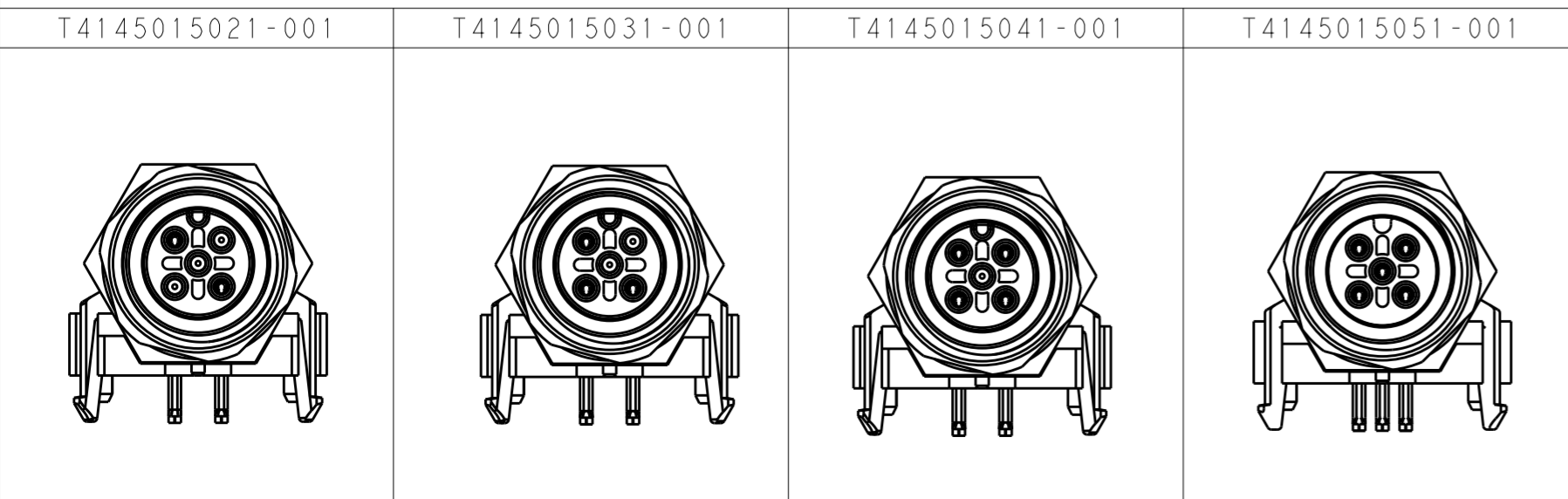


RECOMMENDED PCB LAYOUT  
 PCB THICKNESS: 1.6mm

- 注意事项
1. 技术参数; 见表1
  2. PIN 针排布见表2;
  3. 推荐扭矩0.6Nm;
  4. 产品必须符合ROHS与REACH.

TABLE 2

PIN ARRANGEMENT  
 A-CODE



ITEM	MATERIAL	DESCRIPTION	ITEM
7	PA66	SPACER	7
6	COPPER ALLOY	NUT	6
5	PRUBBER	O-RING	5
4	COPPER ALLOY	COUPLING NUT	4
3	RUBBER	O-RING	3
2	BALCK COLOR PA66	HOUSING	2
1	GOLD FLASH COPPER ALLOY	CONTACT	1

TYPE	POS.	PART NUMBER
RPC-M12-FF-5CON-M12-LP1	5	T4145015051-001
RPC-M12-FF-4CON-M12-LP1	4	T4145015041-001
RPC-M12-FF-3CON-M12-LP1	3	T4145015031-001
RPC-M12-FF-2CON-M12-LP1	2	T4145015021-001

THIS DRAWING IS A CONTROLLED DOCUMENT.		DWN	22AUG2016
DIMENSIONS: mm		CHK	-
TOLERANCES UNLESS OTHERWISE SPECIFIED:		APVD	-
0 PLC	±	PRODUCT SPEC	-
1 PLC	±0.25	APPLICATION SPEC	-
2 PLC	±0.15	WEIGHT	-
3 PLC	±0.10	CUSTOMER DRAWING	-
4 PLC	±	SCALE	5:1
ANGLES	±	SHEET	1 OF 1
FINISH	-	REV	A
MATERIAL	TBD	finish_spec_2	

**STE** TE Connectivity

NAME: M12 RECEPTACLE CONNECTOR PCB ASSEMBLY, ANGLED UNSHIELDED, A-CODE

SIZE: A2 CAGE CODE: - DRAWING NO: T41450150X1001 RESTRICTED TO: -

SCALE: 5:1 SHEET: 1 OF 1 REV: A