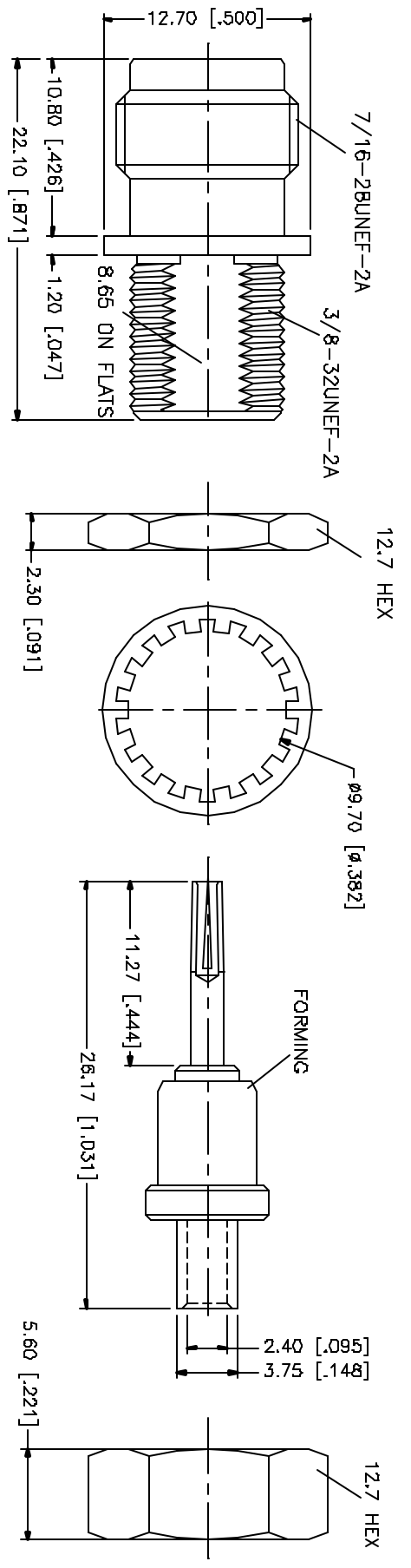
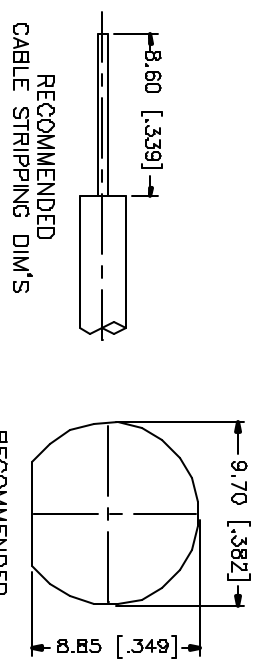


REV.	DATE	DESCRIPTION
A	12/28/04	MODIFY PART DESCRIPTION / UPDATE DRAWING FORMAT



NOTES:
 1. CONTACT PIN TO SOLDER
 2. MAX PANEL THICKNESS = 4.8mm

Amphenol Connex

PART DESCRIPTION
TNC BULKHEAD DIRECT SOLDER JACK
 (FOR .085" SEMI RIGID CABLE)

PART NO. **122469**

QTY	FINISH	MATERIAL	DESCRIPTION
1	NICKEL	BRASS	INSULATOR BODY
1	NATURAL	TEFLON	CONTACT PIN
1	NICKEL	PHOS. BRONZE	WASHER
1	NICKEL	BRASS	BARREL
2	NICKEL	BRASS	HEX NUT

UNLESS OTHERWISE SPECIFIED, DIMENSIONS SHOWN IN [] ARE IN INCHES AND THE DIMENSION REMAINS ONLY. DIMENSIONS FOR ALL ARE: 0.5 - 8mm ± 0.20mm B - 30mm ± 0.40mm 30 - 120mm ± 0.50mm UNLESS OTHERWISE SPECIFIED, TOLERANCES FOR ANGLES AND TOLERANCES FOR HOLE AND SHEET: 0.20 - .315 = ± 0.007" .315 - 1.180 = ± 0.015" 1.180 - 4.724 = ± 0.020"

DO NOT SCALE DRAWING

APPROVALS	DATE
DRAWN G.R.S.	12/28/04
CHECKED	
ISSUED	
SHEET 1 OF 1	

DWG. NO.	REV.	SIZE	SCALE
122469.DWG	A	A	NA