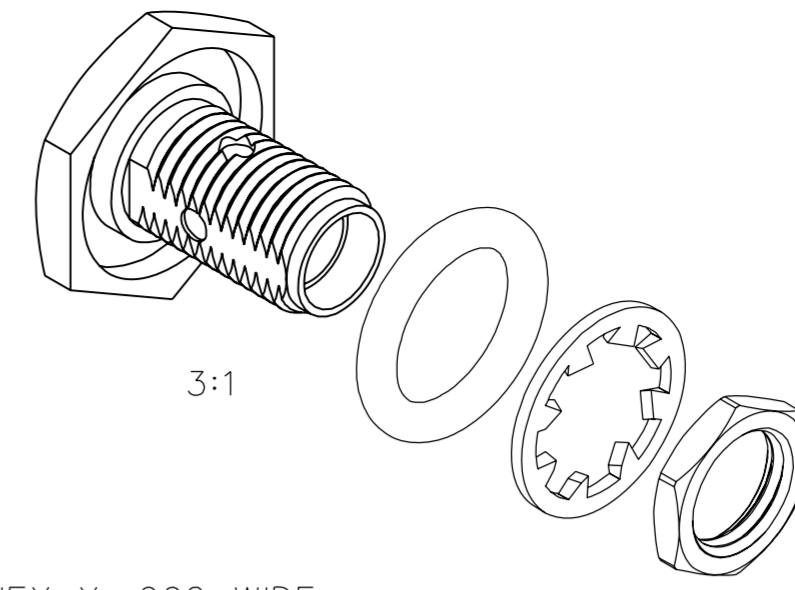


PART NUMBER 141-0593-421	ITEM ① BODY STAINLESS STEEL GOLD PL .00001 MIN OVER NICKEL PL .00005 MIN OVER	ITEM ② CONTACT BERYLLIUM COPPER GOLD PL .00005 MIN OVER NICKEL PL .00005 MIN OVER COPPER PL .00005 MIN	ITEM ③ INSULATOR TEFLON	ITEM ④ SEAL RING SILICONE RUBBER	ITEM ⑤ LOCK WASHER STAINLESS STEEL GOLD PL .00001 MIN OVER NICKEL PL .00005 MIN OVER	ITEM ⑥ NUT STAINLESS STEEL GOLD PL .00001 MIN OVER NICKEL PL .00005 MIN OVER
-----------------------------	---	---	-------------------------------	---	--	--

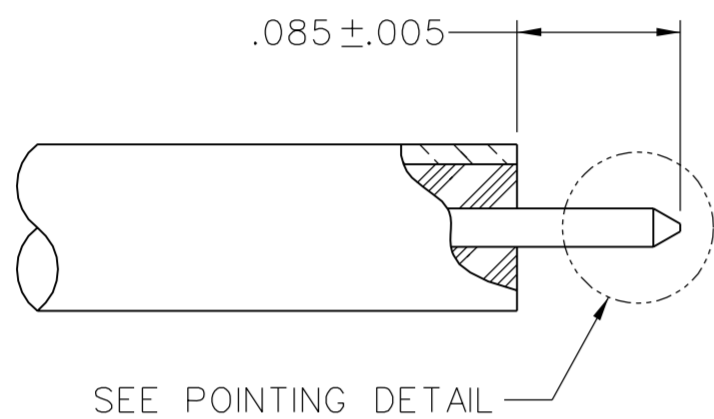


DRAWING NO.
C - 141-0593-421/430

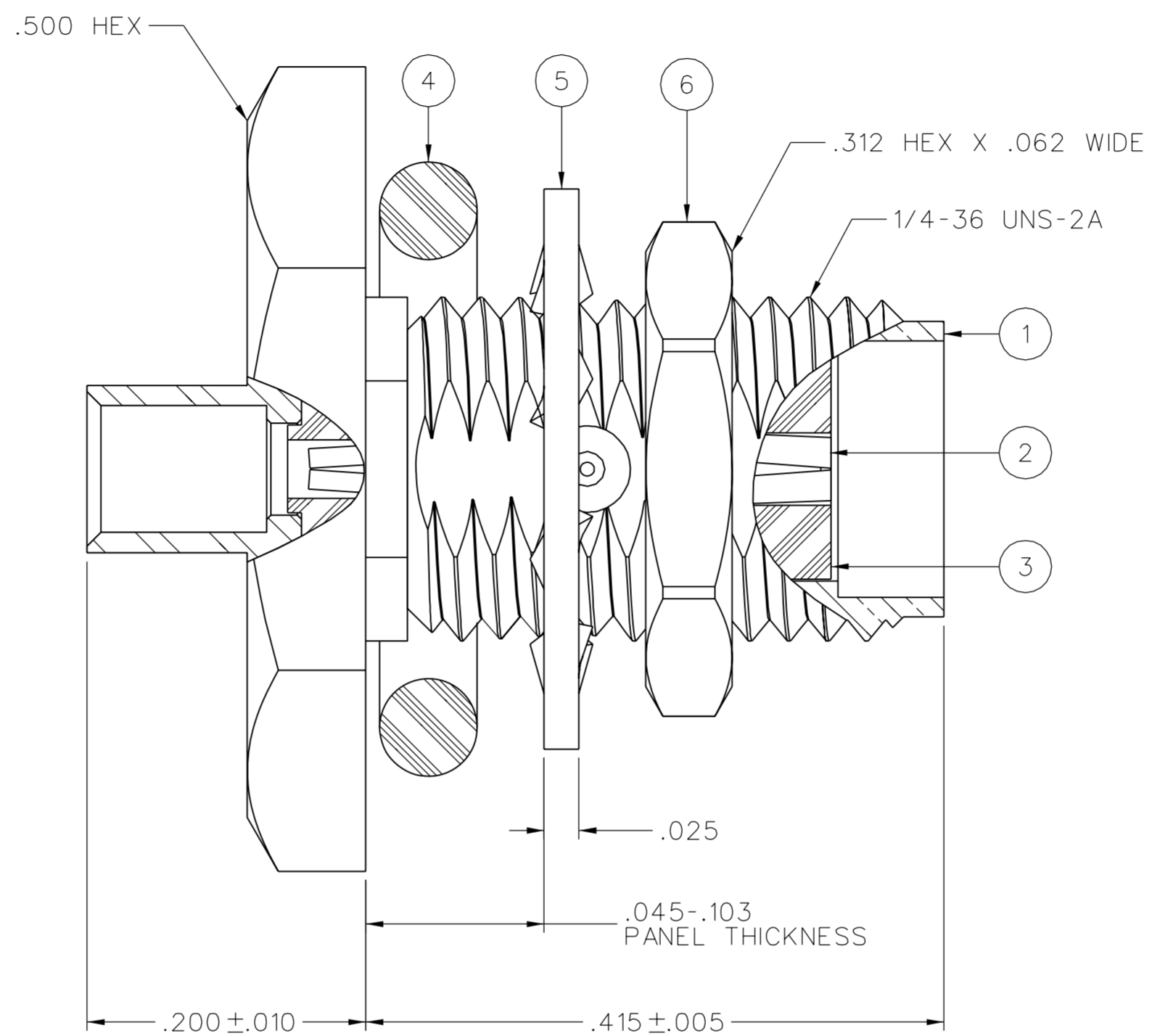
0 REVISIONS

ENGINEERING RELEASE

1	12-20-05	P A T	S T D	D W	5-12-06 ECN 50109
---	----------	-------------	-------------	--------	----------------------



CABLE STRIP DIMENSIONS



NOTES:

1. SPECIFICATIONS:

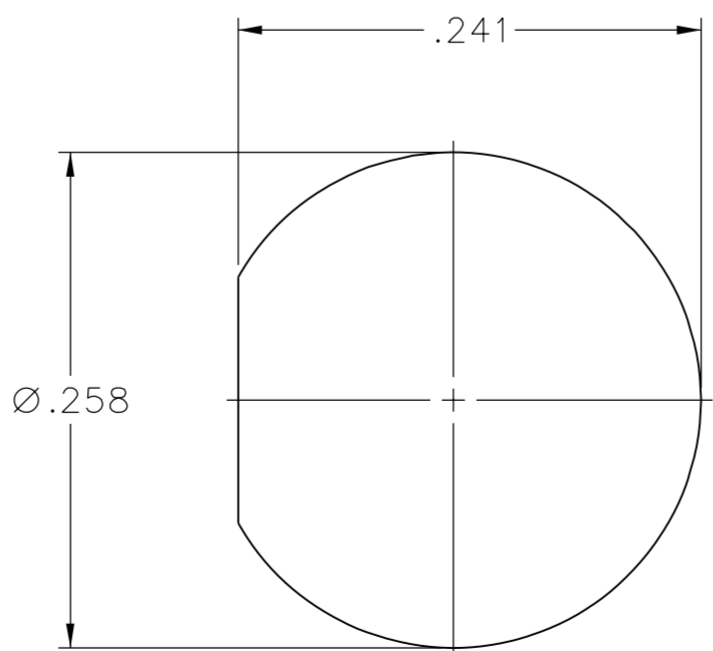
IMPEDANCE: 50 OHMS
 FREQUENCY RANGE: 0-25 GHZ
 VSWR: 1.07+.01F(GHZ) MAX AT 0-18 GHZ, TYPICALLY < 1.30 AT 18-25 GHZ
 WORKING VOLTAGE: 335 VRMS MAX AT SEA LEVEL
 DIELECTRIC WITHSTANDING VOLTAGE: 1000 VRMS MIN AT SEA LEVEL
 INSULATION RESISTANCE: 5000 MEGOHM MIN
 CONTACT RESISTANCE:
 CENTER CONTACT - INITIAL 5.0 MILLIOHM MAX, AFTER ENVIRONMENTAL 8.0 MILLIOHM MAX
 OUTER CONDUCTOR - INITIAL 2.0 MILLIOHM MAX, AFTER ENVIRONMENTAL NOT APPLICABLE
 BODY TO CABLE - 0.5 MILLIOHM MAX
 CORONA LEVEL: 250 VOLTS MIN AT 70,000 FEET
 INSERTION LOSS: .03√F (F IN GHZ), TESTED AT 10 GHZ
 RF LEAKAGE: -90 DB MIN AT 2 TO 3 GHZ
 RF HIGH POTENTIAL WITHSTANDING VOLTAGE: 670 VRMS AT 4 AND 7 MHZ

MECHANICAL:

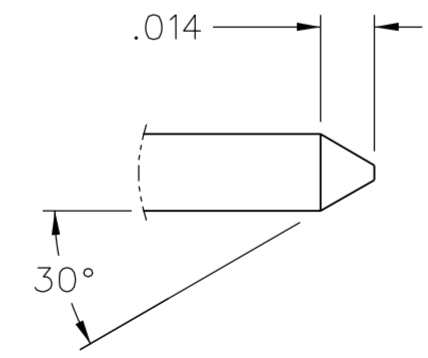
ENGAGE/DISENGAGE TORQUE: 2 IN-LBS MAX
 MATING TORQUE: 7-10 IN-LBS
 COUPLING PROOF TORQUE: NOT APPLICABLE
 COUPLING NUT RETENTION: NOT APPLICABLE
 CONTACT RETENTION: 6 LBS MIN AXIAL FORCE
 CABLE ACCEPTABILITY: RG-405, .086 OD SEMIRIGID
 CABLE HEX CRIMP SIZE: NOT APPLICABLE
 CABLE RETENTION: 30 LBS MIN AXIAL FORCE
 16 INCH-OUNCE MIN TORQUE
 DURABILITY: 500 CYCLES MIN

ENVIRONMENTAL:

(MEETS OR EXCEEDS THE APPLICABLE PARAGRAPH OF MIL-PRF-39012)
 THERMAL SHOCK: MIL-STD-202, METHOD 107, CONDITION B, EXCEPT 115°C HIGH TEMP
 OPERATING TEMPERATURE: -65°C TO 165°C
 CORROSION: MIL-STD-202, METHOD 101, CONDITION B
 SHOCK: MIL-STD-202, METHOD 213, CONDITION I
 VIBRATION: MIL-STD-202, METHOD 204, CONDITION D
 MOISTURE RESISTANCE: MIL-STD-202, METHOD 106



MOUNTING HOLE



POINTING DETAIL
20:1

TOLERANCE UNLESS OTHERWISE SPECIFIED		DRAWN BY SBD	DATE 12-13-05
DECIMALS	mm	CHECKED BY PDW	DATE 5-12-06
.XX	—	APPROVED BY SBD	DATE 5-12-06
.XXX	REF	RELEASE DATE	5-12-06
MATL	—	U/M	INCH
FINISH	—	SCALE	10:1

cinch Connectivity Solutions
 a bel group
 Cinch Connectivity Solutions
 P.O. Box 1732
 Waseca, MN 56093
 1-800-247-8256

TITLE
SMA BKHD JACK ASSY
ONE PIECE CONNECTOR,
RG-405, .086 SEMI-RIGID

SHEET 2 OF 2
DRAWING NO.
C - 141-0593-421/430

CUSTOMER DRAWING

THIS DRAWING TO BE INTERPRETED PER ASME Y 14.5M - 1994

"μSTATION"

COMPANY CONFIDENTIAL