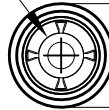
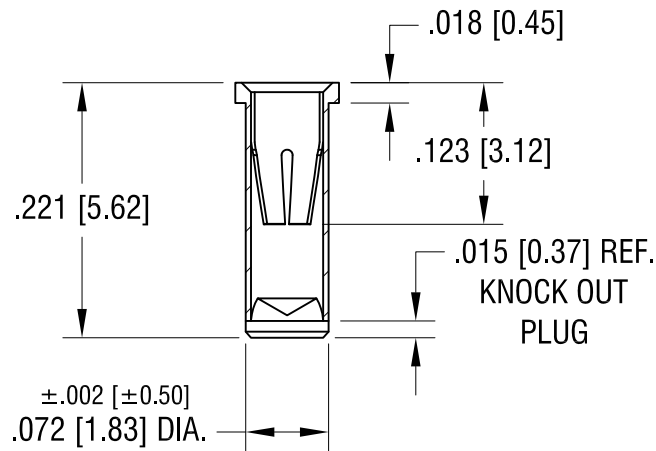
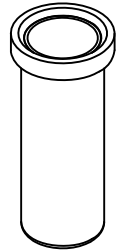


THIS DOCUMENT IS THE PROPERTY OF
KEYSTONE ELECTRONICS CORP. AND
SHALL NOT BE REPRODUCED, DISTRIBUTED
OR USED AS A BASIS FOR MANUFACTURE
WITHOUT PRIOR WRITTEN PERMISSION
FROM KEYSTONE ELECTRONICS CORP.

4-FINGER CLOSED
ENTRY CONTACT FOR
.032 [0.81] - .046 [1.17]
DIAMETER PIN



$\pm .002$ [± 0.50]
.090 [2.29]
DIA.



NOTES:

1. BODY: MAT'L - BRASS
SPRING CONTACT: MAT'L - BERYLLIUM COPPER
2. MOUNTING HOLE DIA.: .076 [1.93]

KEYSTONE ELECTRONICS CORP.

www.keyelco.com • ASTORIA, N.Y. 11105-2017 • Tel (718) 956-8900

PART NAME

MICRO JACK, SOLDER MOUNT

MATERIAL

AS NOTED

FINISH

GOLD PLATE

DRN BY

BOONE

DATE

2.5.07

APP'D

LN

SCALE

6X

5.26.11 CHANGE AS PER ECN 11-071

A

TOLERANCES

INCH [MM]

DECIMAL $\pm .005$ [± 0.13]

ANGULAR $\pm 1^\circ$

UNLESS OTHERWISE SPECIFIED

CODE

C/M

DWG NO.

1441

DATE

DESCRIPTION

REV.