

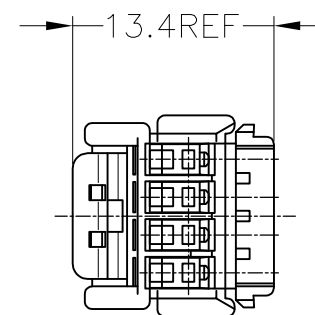
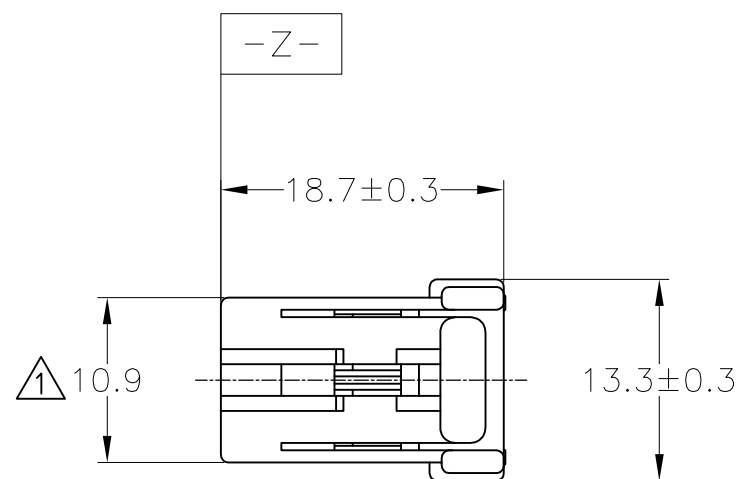
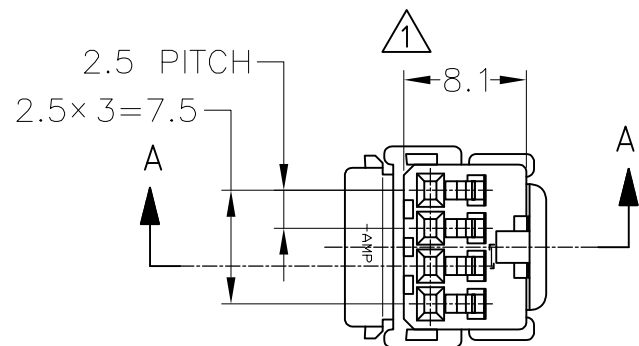
THIS DRAWING IS UNPUBLISHED.

RELEASED FOR PUBLICATION

ALL RIGHTS RESERVED.

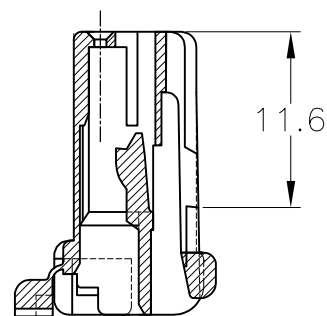
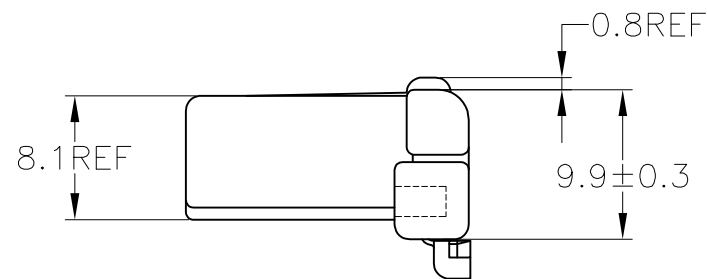
© COPYRIGHT - By -

LOC	DIST	REVISIONS 変更					
J	-	P	LTR	DESCRIPTION	DATE	DWN	APVD
			B3	REVISED PER ECO-11-005140	28MAR11	RK	HMR

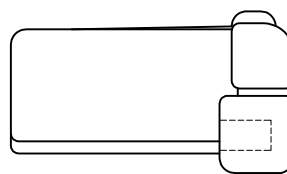


- △ TO BE MEASURED WITHIN 2mm FROM -Z-
- 2. THE MATING CAP HOUSING PART NUMBER: 174967
- 3. APPLICABLE CONTACT PART NUMBER: 173681

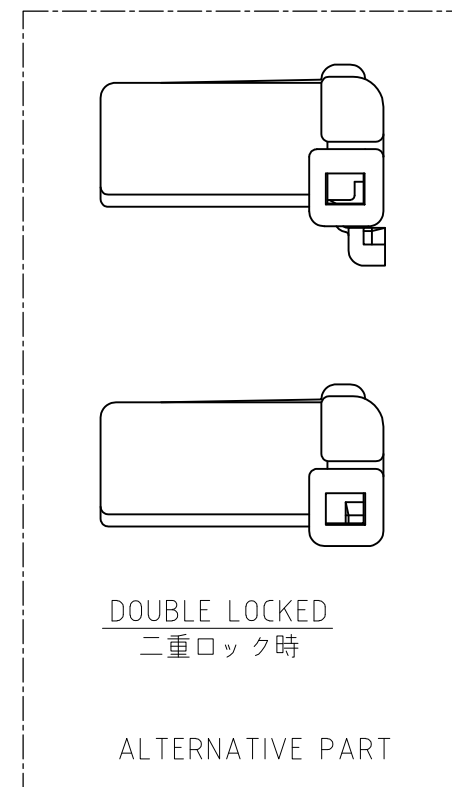
- △ -Z- 面から2mmの範囲で測定。
- 2. 相手側ハウジング型番: 174967
- 3. 適用端子型番: 173681



A-A



DOUBLE LOCKED
二重ロック時



DOUBLE LOCKED
二重ロック時

ALTERNATIVE PART

BLUE	174966-5
GREEN	174966-4
BLACK	174966-2
COLOR	PART NUMBER

THIS DRAWING IS A CONTROLLED DOCUMENT.		DWN T.SHINOHARA 07MAR06	STE TE Connectivity		
DIMENSIONS: 単位: 耗 mm		CHK K.BETSUI 07MAR06			
TOLERANCES UNLESS OTHERWISE SPECIFIED: 一般公差		APVD K.BETSUI 07MAR06	NAME 名称		
0 < x ≤ 10 : ±0.2		PRODUCT SPEC 製品規格 108-5352	040 SERIES MULTI-LOCK CONNECTOR 4POSITION PLUG HOUSING		
10 < x ≤ 30 : ±0.25		APPLICATION SPEC 取付適用規格 114-5094	SIZE	CAGE CODE	DRAWING NO 番号
30 < x ≤ 100 : ±0.3		WEIGHT 1.1 g	A3	00779	G-174966
ANGLE ; 角度 : ±3°		MATERIAL 材料 PBT	RESTRICTED TO -		
		FINISH 仕上 -	SCALE 尺度 2:1		
			SHEET 1 OF 1		
			REV B3		