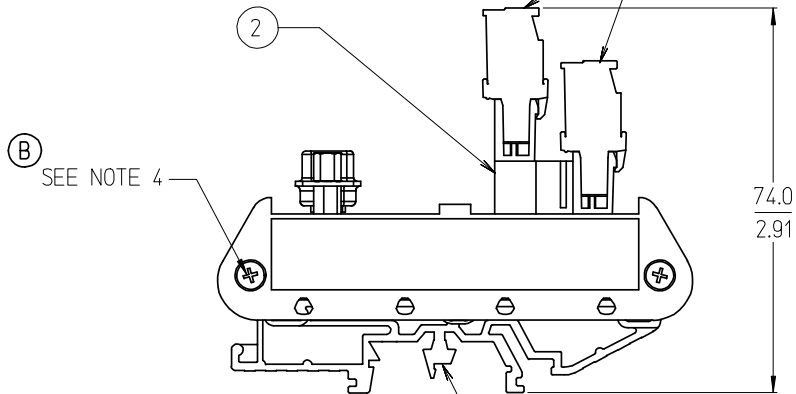
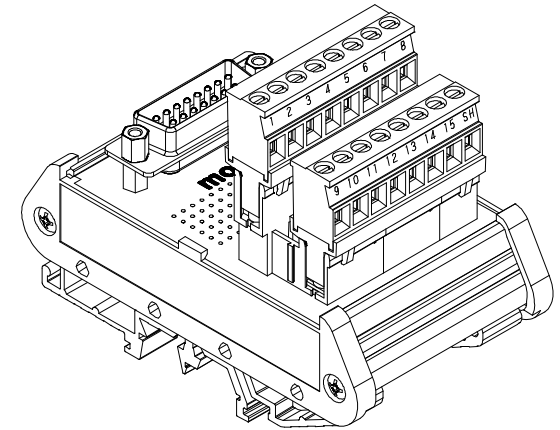


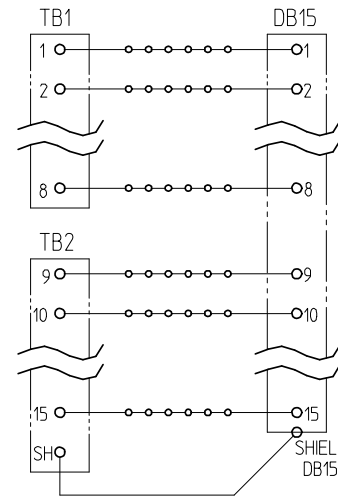
SEE NOTE 5



SEE NOTE 4



15 POSITION SHOWN



TYPICAL SCHEMATIC
(15 POSITION SHOWN)

NO. OF CIRCUITS	DIM. "A"	MATERIAL NUMBER
09	39.4 [1.55]	39170-2109
15	54.4 [2.14]	39170-2115
25	79.8 [3.14]	39170-2125
37	106.4 [4.19]	39170-2137

NOTES:

1. MATERIAL: SEE TABLE
2. FINISHES: SEE TABLE
3. MATES WITH: FEMALE D-SUB
4. END CAP MOUNT SCREW TORQUE: 0.5 N-m (4.4 lbf-in) MINIMUM
0.6 N-m (5.3 lbf-in) MAXIMUM
5. TERMINAL BLOCK SCREW TORQUE: 0.8 N-m (7.1 lbf-in)
6. ASSEMBLY ROHS COMPLIANCE NOT REQUIRED.

ITEM	QTY.	DESCRIPTION	MATERIAL	FINISH
3	2	DIN RAIL ADAPTOR UNIT	THERMOPLASTIC	BLACK
2	1	MALE D-SUB TO 5.08 HEADER, PC BOARD ASSY.	-	-
1	2	5.08 PLUGGABLE BTS	SEE SD-39860-004	BLACK

ADD SCREW TORQUE
EC NO: ETC2007-0331
DRWN: CLYORK 2007/03/12
CHKD: JMACNEIL 2007/03/14
APPR: JMACNEIL 2007/03/15

QUALITY SYMBOLS
▽=0
▽=0

GENERAL TOLERANCES (UNLESS SPECIFIED)

	mm	INCH
4 PLACES	±---	±---
3 PLACES	±---	±.005
2 PLACES	±0.13	±.01
1 PLACE	±0.3	±---

ANGULAR ± 2 °

DRAFT WHERE APPLICABLE
MUST REMAIN
WITHIN DIMENSIONS

DIMENSION STYLE
MM/IN

SCALE
1:1

DESIGN UNITS
INCH

THIRD ANGLE PROJECTION

DRAWN BY
C. YORK

DATE
2004/11/09

CHECKED BY
R. STONE

DATE
2004/11/16

APPROVED BY
G. ROBERTSON

DATE
2004/11/16

MATERIAL NO.
SEE CHART

TITLE
DIN RAIL INTERFACE
MODULE, MALE D-SUB TO
5.08MM VERT EURO PLUG

MOLEX INCORPORATED

DOCUMENT NO.
SD-39170-003

SHEET NO.
1 OF 1

THIS DRAWING CONTAINS INFORMATION THAT IS PROPRIETARY TO MOLEX
INCORPORATED AND SHOULD NOT BE USED WITHOUT WRITTEN PERMISSION