



Part No: GF0927

Date: 9/18/2006

Unit: mm

Description: speaker

Page No: 1 of 2

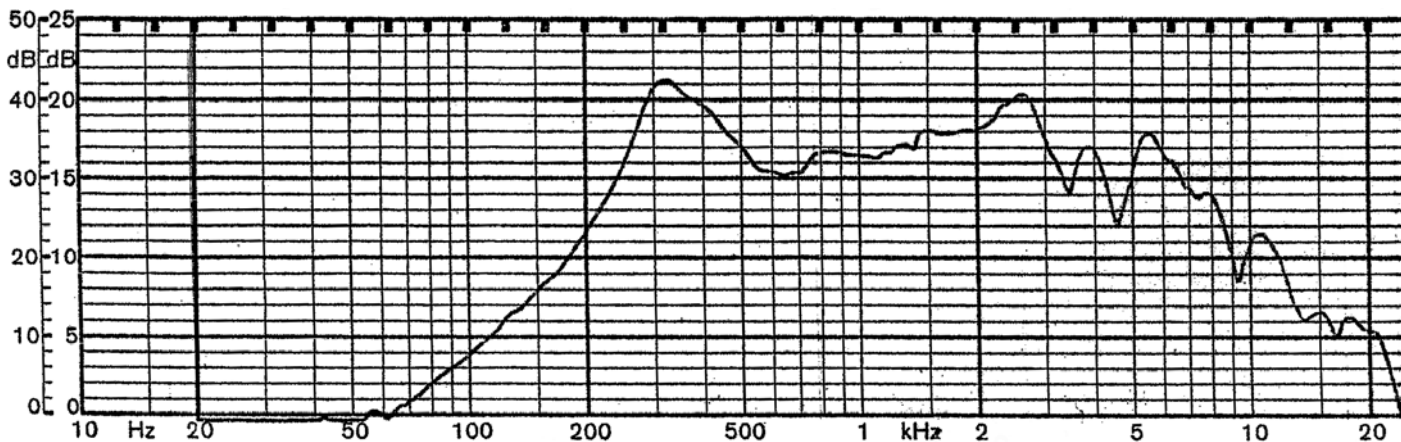


**Specifications**

|                      |                                      |   |
|----------------------|--------------------------------------|---|
| Nominal Size         | 92 mm (3.50 in)                      | (See attached drawing)                      |
| Impedance            | 8 Ohm $\pm$ 15%                      | at 800 Hz 1 V                               |
| Resonant frequency   | 300 Hz $\pm$ 60 Hz                   | at 1 V                                      |
| Sound pressure level | 93 dB/w $\pm$ 3 dB                   | 1 w 50 cm ave. at 0.5K, 0.7K, 0.9K, 1.0K Hz |
| Response             | Fo Hz ~ 13 KHz max 10 dB             |   |
| Input power          | Nominal 2 W                          | Handling capacity 3 W                       |
| Operation            | must be normal at program source 2 W |   |
| Buzz, rattle, etc.   | must be normal at sine wave 4 V      |   |
| Magnet               | Size: 39 x 22 x 7 mm                 |   |
| Load test            | White noise 2 W                      | for 5 hours                                 |
| Heat test            | 70 $\pm$ 2° C                        | 20-50% R.H. 5 hours                         |
| Humidity test        | 40 $\pm$ 2° C                        | 90-95% R.H. 5 hours                         |

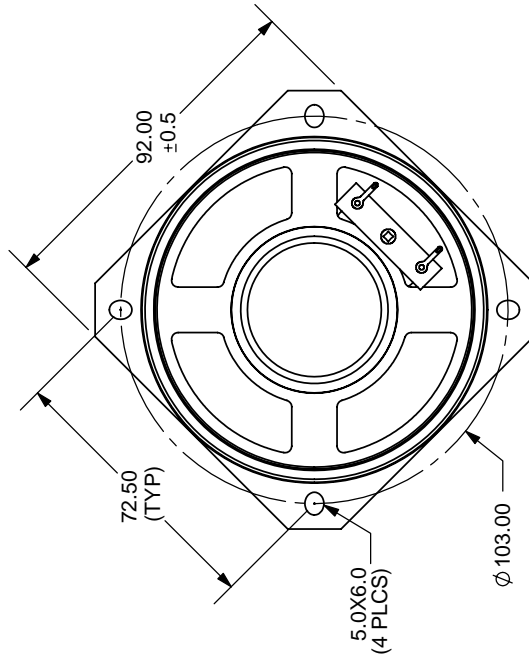
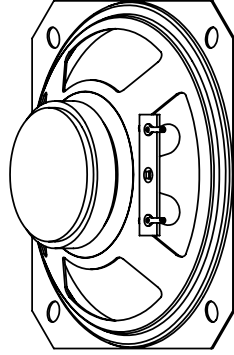
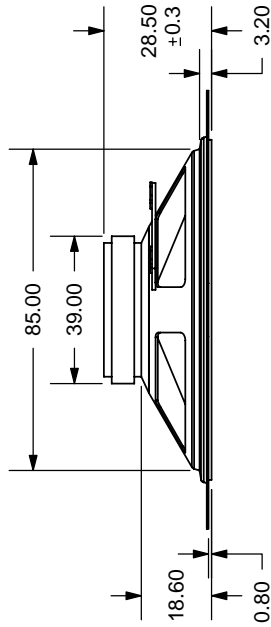
**Frequency Response Curve**

|                       |            |
|-----------------------|------------|
| Potentiometer range   | 50 dB      |
| Rectifier             | RMS        |
| Lower limit frequency | 20 Hz      |
| Wr. speed             | 100 mm/sec |



Zero level 60 dB

|      |             |          |
|------|-------------|----------|
| REV. | DESCRIPTION | DATE     |
| A    | NEW DRAWING | 8/8/2006 |



TOLERANCE:  
±0.5mm UNLESS OTHERWISE  
SPECIFIED



**CUI INC**

20050 SW 112th Ave.  
Tualatin, OR 97062  
Phone: 503-643-4899  
800-275-4899  
Fax: 503-372-1266  
Website: [www.cui.com](http://www.cui.com)

|   |                    |
|---|--------------------|
| TITLE: Square frame paper cone - ferrite magnet | REV: A             |
| PART NO: GF0927                                 | UNITS: MM [INCHES] |
| DRAWN BY: ZRJ                                   | APPROVED BY:       |
|   | SCALE: 1:2         |