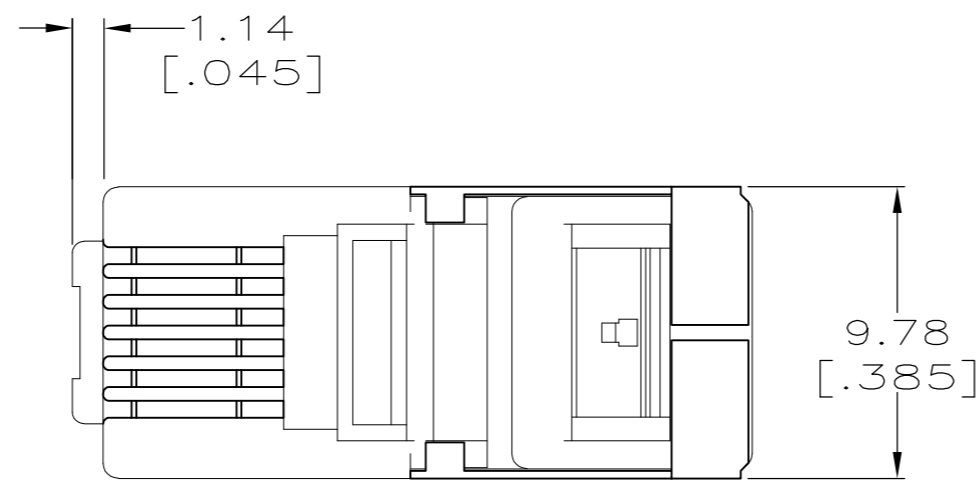


THIS DRAWING IS UNPUBLISHED. RELEASED FOR PUBLICATION
 © COPYRIGHT - By - ALL RIGHTS RESERVED.

LOC	DIST	REVISIONS					
HM	00	P	LTR	DESCRIPTION	DATE	DWN	APVD
		D		REV ECO-12-012703	13JUL12	JB	JG



1 MATERIAL: HOUSING - POLYCARBONATE, CLEAR.
 TERMINAL - 0.36[.014] THICK PHOSPHOR BRONZE PLATED WITH 1.27 μ m[.000050] THICK GOLD IN LOCALIZED GOLD PLATE AREA OVER 2.54 μ m[.000100] THICK NICKEL UNDERPLATE.
 SHIELD - 0.25[.010] THICK COPPER ALLOY, SATIN NICKEL PLATED.

2. ALL DIMENSIONS SHOWN ARE MAXIMUM UNLESS OTHERWISE SPECIFIED.

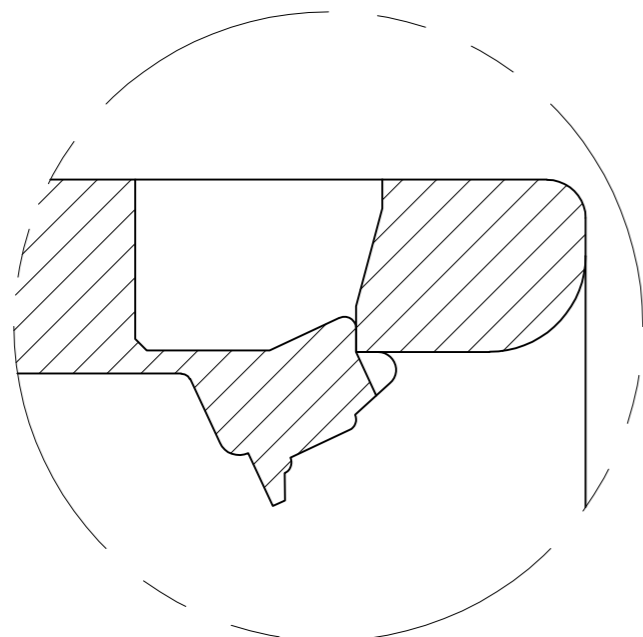
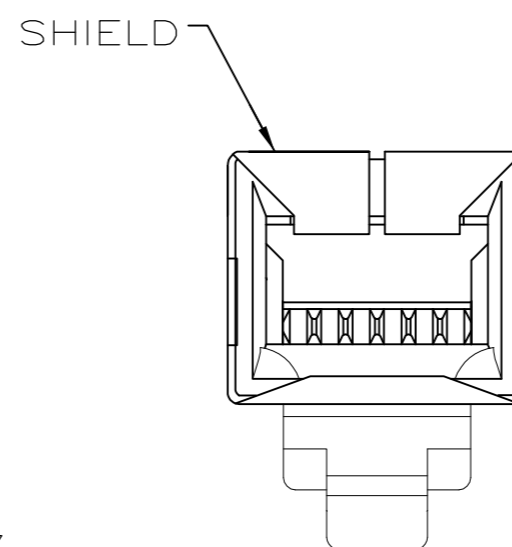
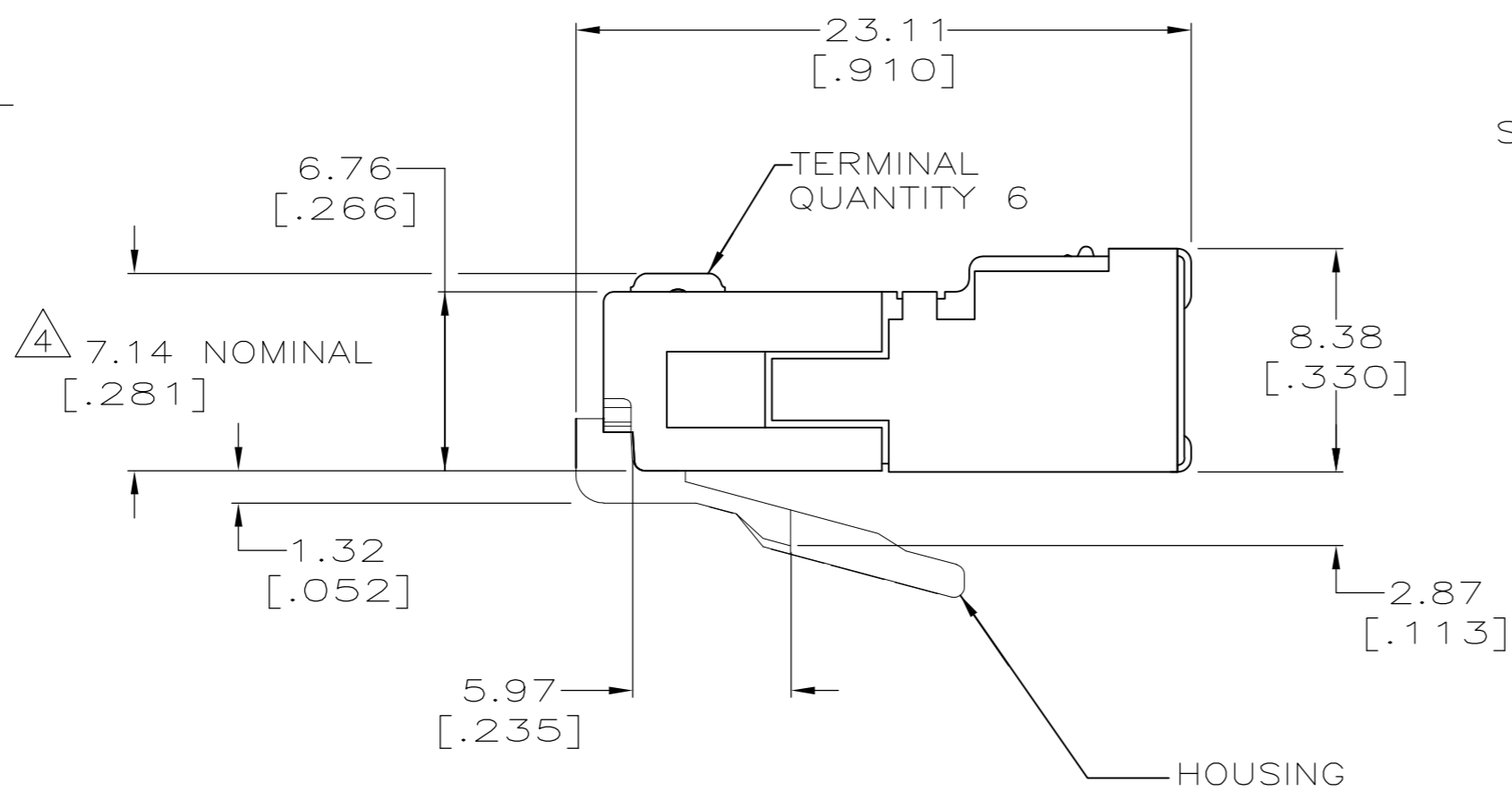
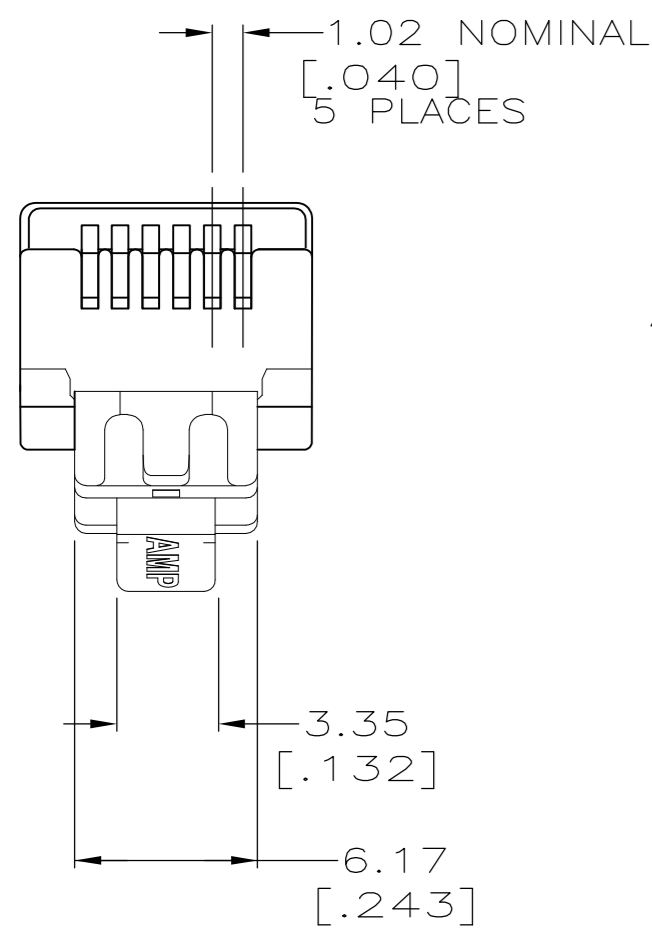
3. PLUG WILL ACCEPT 0.74-0.99[.029-.039] DIAMETER SOLID WIRE, 26 OR 28 AWG, WITH A .180 DIAMETER MAXIMUM JACKET.

4 TERMINATED DIMENSION: 6.15[.242] MAXIMUM.

5 LATCH SHALL BE IN POSITION SHOWN IN DETAIL "A" AFTER CRIMPING.

7 500 PIECES PER PACKAGE.

8 100 PIECES PER PACKAGE.



5 DETAIL A
 LATCH POSITION AFTER CRIMPING
 SCALE 10:1

LEAD FREE

8	5-1368336-3
7	5-1368336-2
PACKAGED	PART NUMBER

THIS DRAWING IS A CONTROLLED DOCUMENT.		DWN DL DRUMMOND 14 MAR 2003		
DIMENSIONS: mm [INCHES]		CHK DL DRUMMOND 14 MAR 2003		
TOLERANCES UNLESS OTHERWISE SPECIFIED:		APVD EC LAURER 14 MAR 2003	NAME	
0 PLC ± -	1 PLC ± -	PRODUCT SPEC	MODULAR PLUG ASSEMBLY, 6 POSITION, LONG BODY, SHIELDED, ROUND CABLE, SOLID WIRE	
2 PLC ± 0.13[.005]	3 PLC ± -	APPLICATION SPEC	SIZE A2	CAGE CODE 00779
4 PLC ± -	ANGLES ± -	WEIGHT -	DRAWING NO C=1368336	RESTRICTED TO -
MATERIAL 1	FINISH 1	CUSTOMER DRAWING	SCALE 4:1	SHEET 1 OF 1
			REV D	