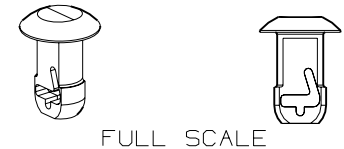
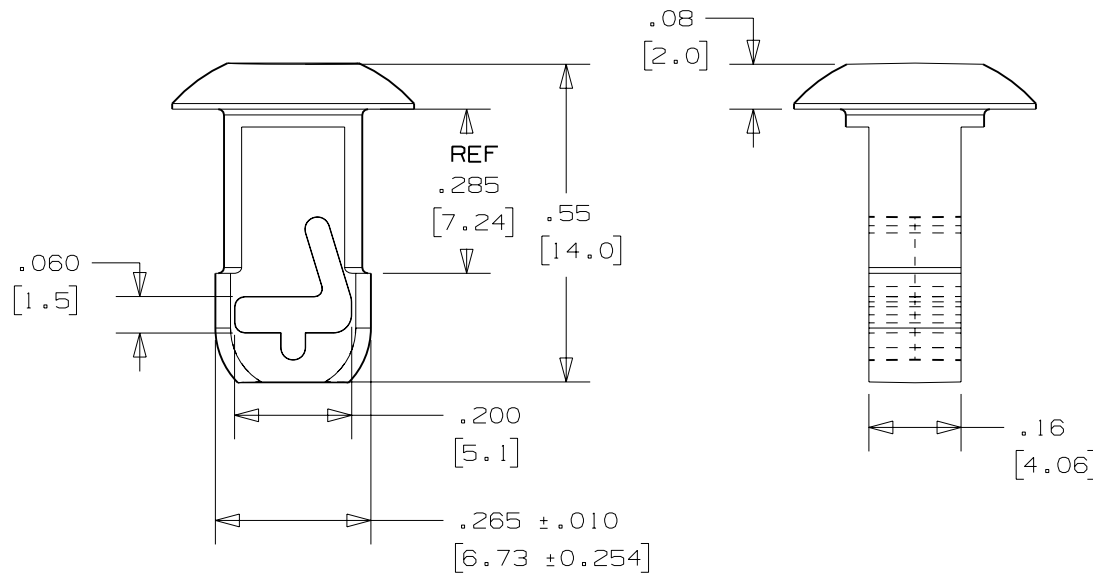
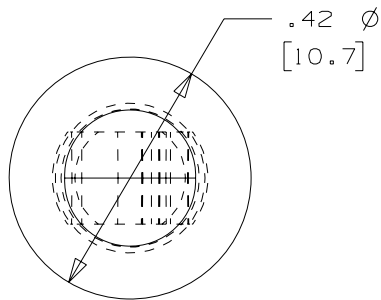


THIS COPY IS PROVIDED ON A RESTRICTED BASIS AND IS NOT TO BE USED IN ANY WAY DETRIMENTAL TO THE INTERESTS OF PANDUIT CORP.

PANDUIT PART NO. *	USE WITH ANY OF THESE CABLE TIE CROSS-SECTIONS	PANEL DIMENSIONS		WEIGHT lbs./100 (G)/pcs.
		THICKNESS	HOLE SIZE	
PBMSL-H25-M30	MINIATURE INTERMEDIATE STANDARD	0.285 (7.24) MAX.	0.250±0.005 (6.4 ±0.127)	0.092 (41.73)



NOTES:

* 1) SEE CURRENT PRICE SHEET FOR PART NUMBER SUFFIX DESIGNATION FOR PACKAGE SIZE AND COLOR.

DIMENSIONS IN BRACKETS ARE METRIC [mm]	
CAD FILENAME/LAYERS G00239ME_PB_PBMS_L_00.PRT	
CORP. TINLEY PARK, ILLINOIS	
PUSH BUTTON MOUNT PBMSL-H25-M30	
UNLESS OTHERWISE SPECIFIED, DIMENSIONAL TOLERANCES ARE: (.X) ±0.05 (1.3) (.XXX) ±0.010 (0.25) (.XX) ±0.02 (0.5) ANGLES ± 5°	UNLESS OTHERWISE SPECIFIED, ALL DIMENSIONS ARE GIVEN IN INCHES, THIRD ANGLE PROJECTION.
DRAWN BY TMSA	MAT'L: NYLON 6/6 HEAT STABILIZED
DATE 4-17-06	SCALE 3X
CHK'D	DRAWING NO. G00239ME
	DWG SIZE A

R	4-18-06	TMSA		INITIAL RELEASE	GB0239ME	R			
REV	DATE	BY	CHK	DESCRIPTION	ECN	R	CUST	SUP	