

**Industrial Ethernet  
IE-TO-SCD-SM**

**Weidmüller Interface GmbH & Co. KG**  
Klingenbergstraße 16  
D-32758 Detmold  
Germany  
Fon: +49 5231 14-0  
Fax: +49 5231 14-292083  
www.weidmueller.com



Mounting rail outlet, SC duplex junction design according to IEC 61754-4

**General ordering data**

Type	IE-TO-SCD-SM
Order No.	<a href="#">8946980000</a>
Version	Mounting rail outlet, fibre-optic, SC duplex, Singlemode, IP 20
GTIN (EAN)	4032248734993
Qty.	10 pc(s).

**Data sheet**

**Industrial Ethernet  
IE-TO-SCD-SM**

**Weidmüller Interface GmbH & Co. KG**  
 Klingenbergstraße 16  
 D-32758 Detmold  
 Germany  
 Fon: +49 5231 14-0  
 Fax: +49 5231 14-292083  
 www.weidmueller.com

**Technical data**

**Dimensions and weights**

Net weight 39.3 g

**Temperatures**

Operating temperature, max.	70 °C	Operating temperature	-40 °C...70 °C
Storage temperature		Temperature range, installation, min.	-25 °C
Installation temperature		Temperature range, installation, max.	70 °C

**General data**

Colour	Light Grey	Connection 1	SC-Duplex
Connection 2	SC-Duplex	Fibre type	Singlemode
Housing main material	PA UL 94 V0	Plugging cycles	1000
Protection degree	IP 20	Type of mounting	TS 35

**Standards**

Connector standard IEC 61754-4

**Classifications**

ETIM 3.0	EC000018	ETIM 4.0	EC000018
ETIM 5.0	EC000018	ETIM 6.0	EC000018
UNSPSC	30-21-18-01	eClass 6.2	27-25-05-04
eClass 7.1	27-25-05-04	eClass 8.1	19-17-01-25
eClass 9.0	19-17-01-25		

**Approvals**

Approvals



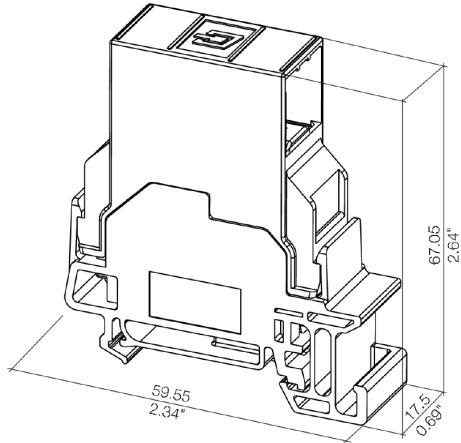
ROHS Conform

**Industrial Ethernet  
IE-TO-SCD-SM**

**Weidmüller Interface GmbH & Co. KG**  
Klingenbergstraße 16  
D-32758 Detmold  
Germany  
Fon: +49 5231 14-0  
Fax: +49 5231 14-292083  
www.weidmueller.com

**Drawings**

**Dimensioned drawing**



**Drawing**

