

Customer Information Sheet

DRAWING No.: MMCX-3005

SHEET 2 OF 2

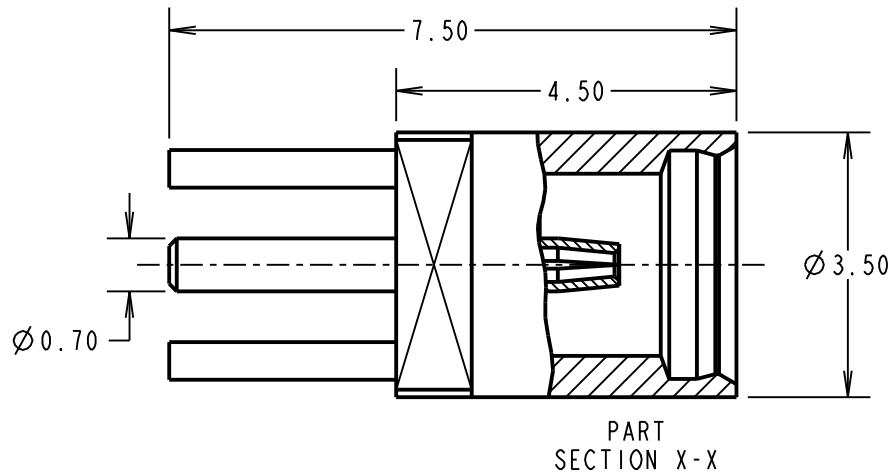
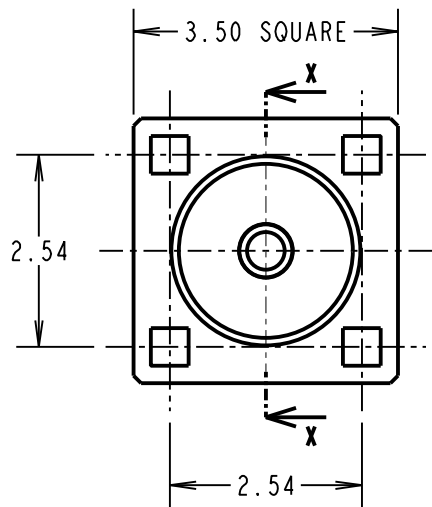
IF IN DOUBT - ASK

©

NOT TO SCALE

THIRD ANGLE PROJECTION

ALL DIMENSIONS IN mm



SPECIFICATIONS:

MATERIALS:

BODY = BRASS
CENTRE CONTACT = BERYLLIUM COPPER
INSULATOR = PTFE

FINISH:

BODY = 0.075µ MIN GOLD
CENTRE CONTACT = 0.75µ MIN GOLD

ELECTRICAL:

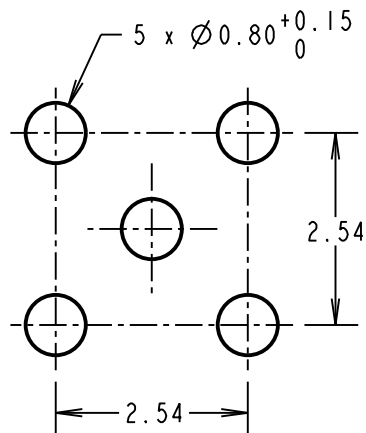
FREQUENCY RANGE = 0 TO 6 GHz
NORMAL IMPEDANCE = 50 OHMS
V.S.W.R. = 1.22 MAX
INSERTION LOSS = 0.2 dB MAX AT 1GHz
OPERATING VOLTAGE = 250V AC MAX
DIELECTRIC STRENGTH = 500V AC MAX
CONTACT RESISTANCE (BODY) = 2.5 mΩ MAX
CONTACT RESISTANCE (CENTRE CONTACT) = 5.0 mΩ MAX
INSULATION RESISTANCE = 1,000 MΩ MIN

ENVIRONMENTAL:

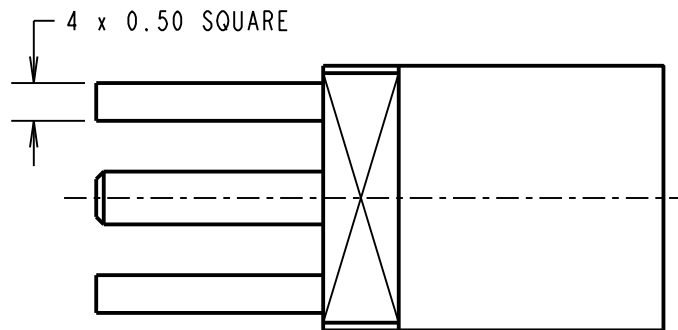
TEMPERATURE RANGE = -55°C TO +155°C

MECHANICAL:

DURABILITY = 500 CYCLES



RECOMMENDED
PCB LAYOUT



NOTES:

1. FOR COMPLETE SPECIFICATION AND INTERFACE DIMENSIONS, SEE COMPONENT SPECIFICATION C036XX (LATEST ISSUE).

SB	2	17.09.12	11801
NAME	ISS.	DATE	C/NOTE
APPROVED:		S. BENNETT	
CHECKED:		M. PLESTED	
DRAWN:		W. J. BOURNE	
CUSTOMER REF.:			
ASSEMBLY DRG:			

ORDER CODE:
MMCX-3005
FINISH _____
05 - GOLD

HARWIN

www.harwin.com
technical@harwin.com

THIS DRAWING AND ANY INFORMATION OR DESCRIPTIVE MATTER SET OUT HEREON ARE CONFIDENTIAL AND COPYRIGHT PROPERTY OF THE HARWIN GROUP AND MUST NOT BE DISCLOSED, LOANED, COPIED OR USED FOR MANUFACTURING, TENDERING OR FOR ANY OTHER PURPOSE WITHOUT THEIR WRITTEN PERMISSION.

TOLERANCES
X. = ±1mm
X.X = ±0.25mm
X.XX = ±0.10mm
X.XXX = ±0.01mm
ANGLES = ±5°
UNLESS STATED

MATERIAL:
SEE ABOVE
FINISH: SEE ABOVE
S/AREA: mm²

TITLE:
VERTICAL PC TAIL JACK
SOCKET MMCX COAX CONNECTOR

DRAWING NUMBER:
MMCX-3005
SHT 2 OF 2