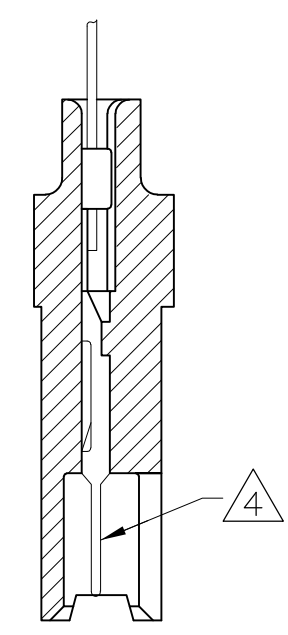
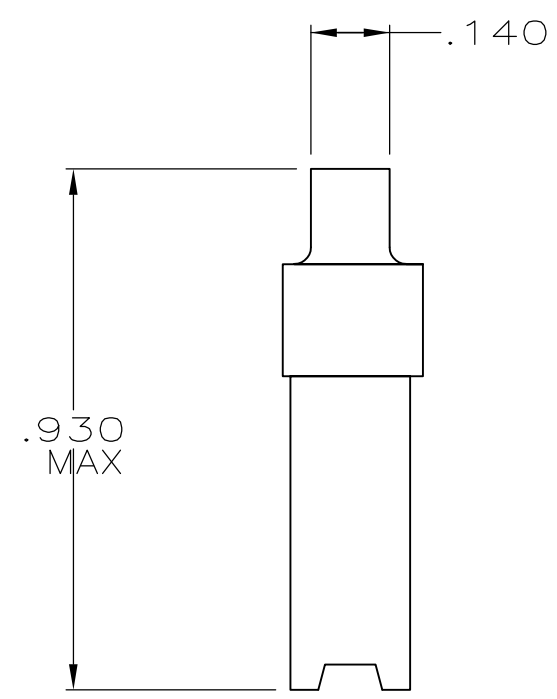
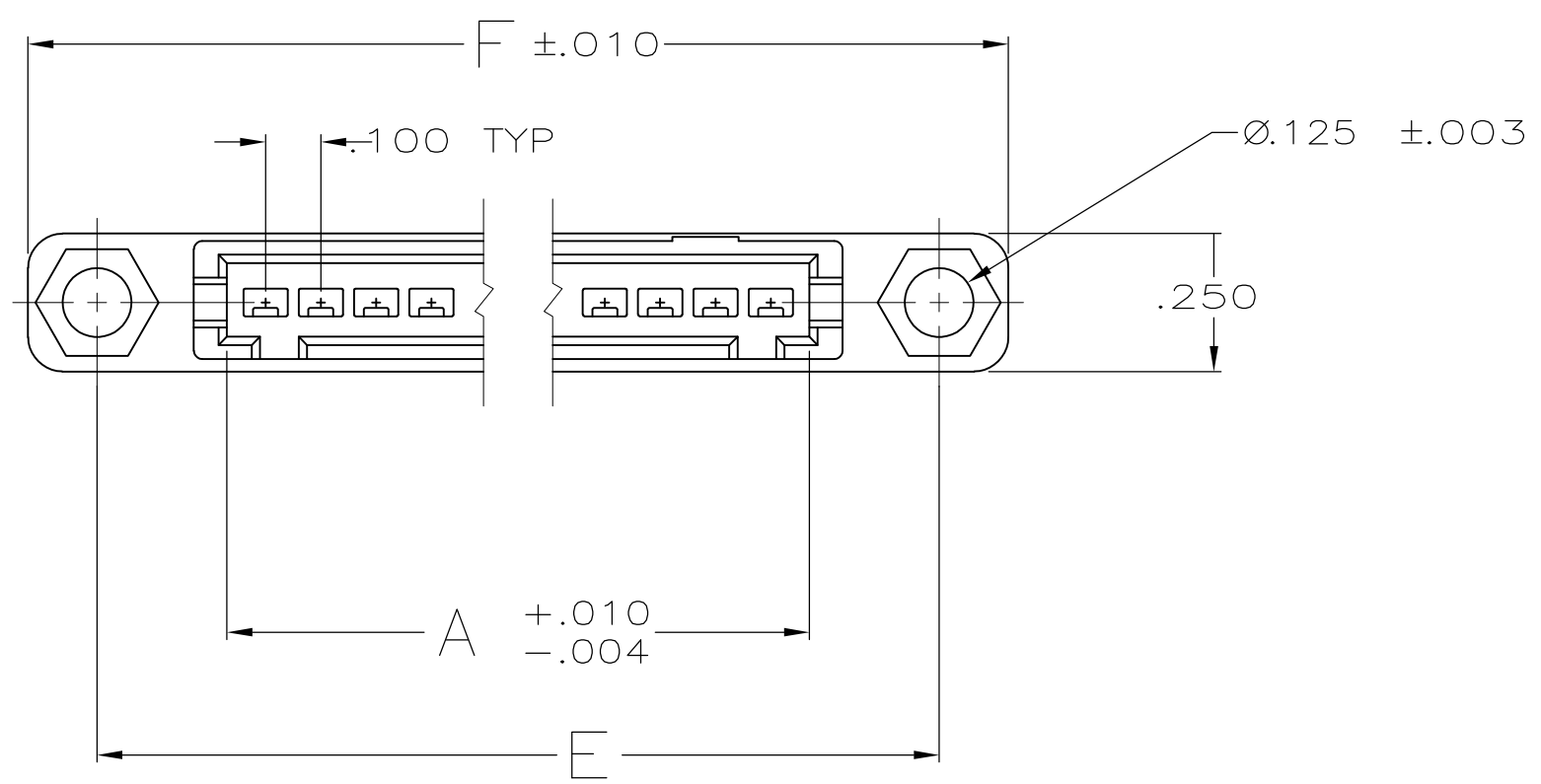
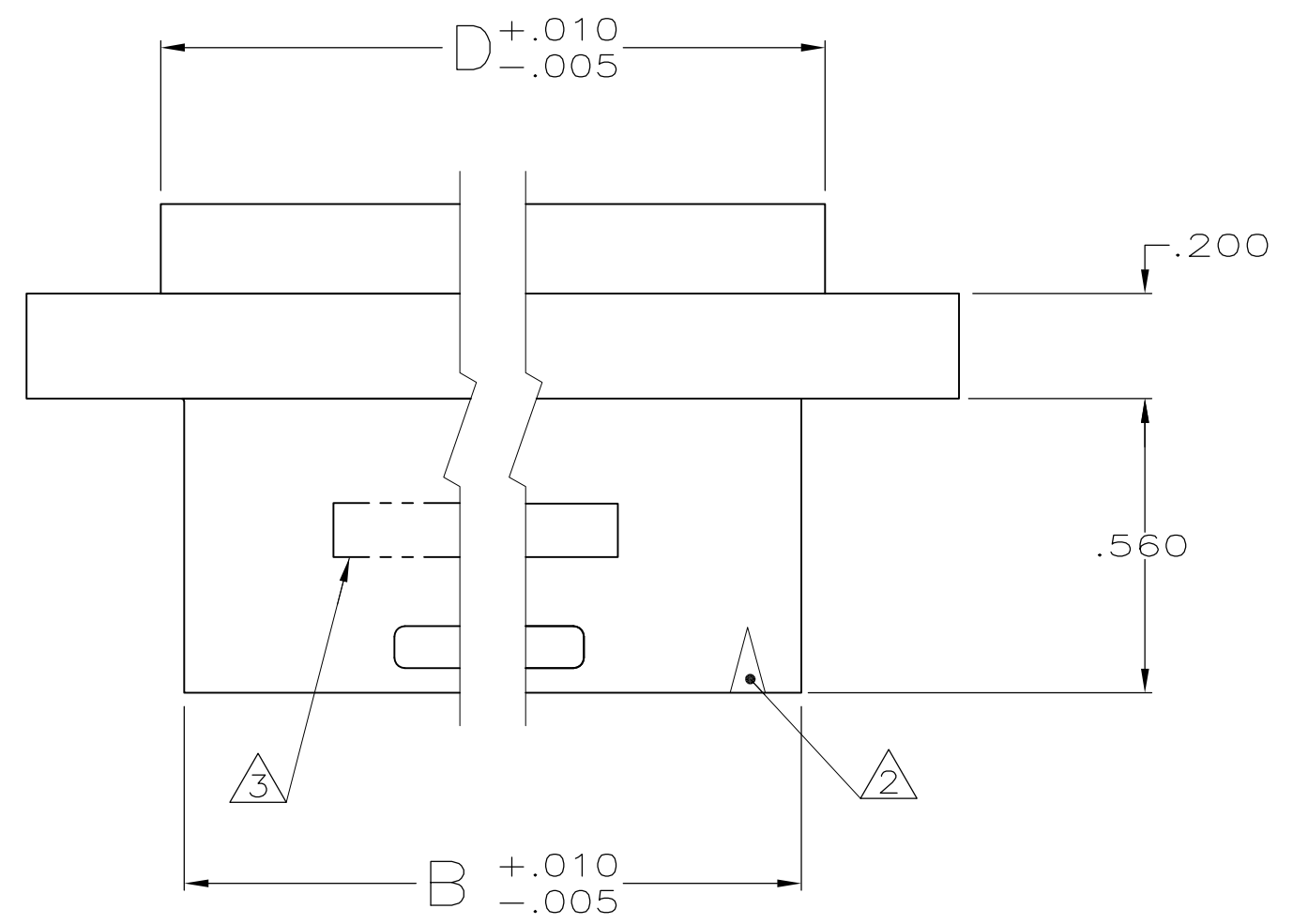
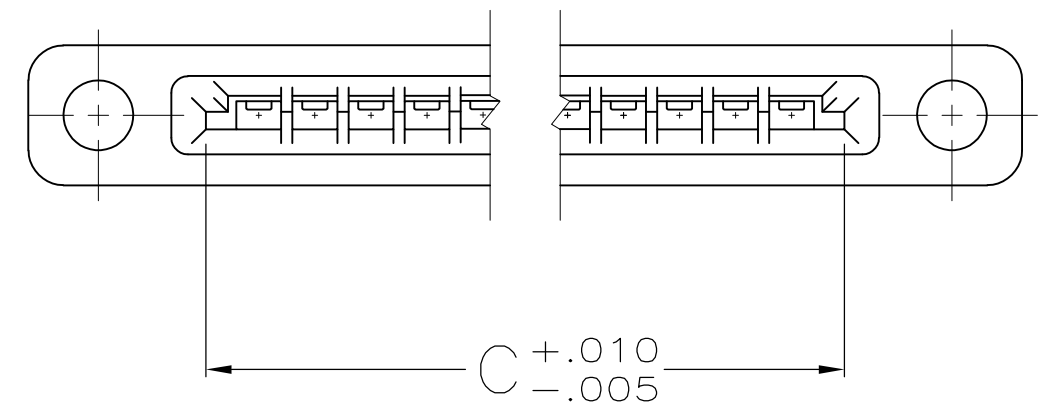


MOD	LOC	DIST	REVISIONS						
85	AR	39	P	F	ZONE	LTR	DESCRIPTION	DATE	APPD
						M1	REVISED PER ECO-09-021510	09SEP09	AEG



CRIMPED CONTACT FOR REF ONLY

OBSOLETE	1.760	1.510	1.250	1.126	1.160	1.040	10	494073-2
	1.260	1.010	.750	.626	.660	.540	5	494073-1
	F	E	D	C	B	A	NO OF POSN	PART NO

DO NOT SCALE PRINT. UNLESS SPECIFIED DIMENSIONS IN INCHES TOLERANCES ON :		DR 3/9/89 KATE HELM		AMP INCORPORATED Harrisburg, Pa. 17105		
2 PLC DEC ± -		CHK 3-27-89 D.ROCKER				
3 PLC DEC ± .005		APPD 4-6-89 G.D.MILLER		NAME		
ANGLES ± -		APPD 4-6-89 W.PACKER		HOUSING, PIN, W/DETENT SLOTS AND MTG EARS, .100¢, FFC		
MATERIAL THERMOPLASTIC FLAME RETARDANT COLOR: BLACK		PRODUCT SPEC -				
FINISH -		APPLICATION SPEC -		SIZE	FSCM NO	DRAWING NO
				<b>C</b>	00779	494073
		WEIGHT -		SCALE	4:1	SHEET
						10F 1

1. HOUSING WILL ACCOMMODATE FLEXIBLE FLAT CONDUCTOR CABLE .050 OR .062 WIDE CONDUCTORS ON .100 CENTERS AND/OR #32-22 AWG WIRE WITH INSULATION RANGE .025-.056 DIA.

- ② INDICATES FIRST POSITION.
- ③ AMP TRADEMARK MOLDED IN IN AREA SHOWN.
- ④ PIN CONTACTS MUST BE ORDERED SEPARATELY.
- ⑤ OBSOLETE PARTS: OBSOLETE CIS STREAMLINING PER D.RENAUD/D.SINISI