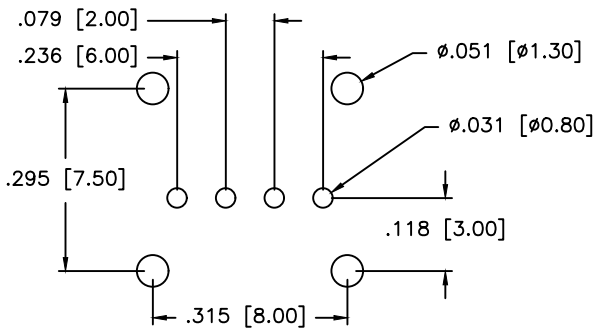
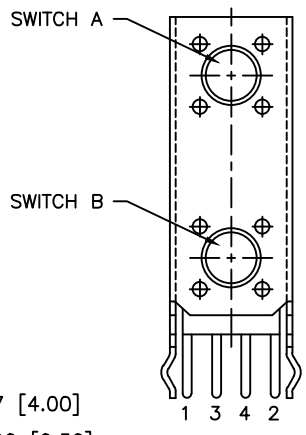


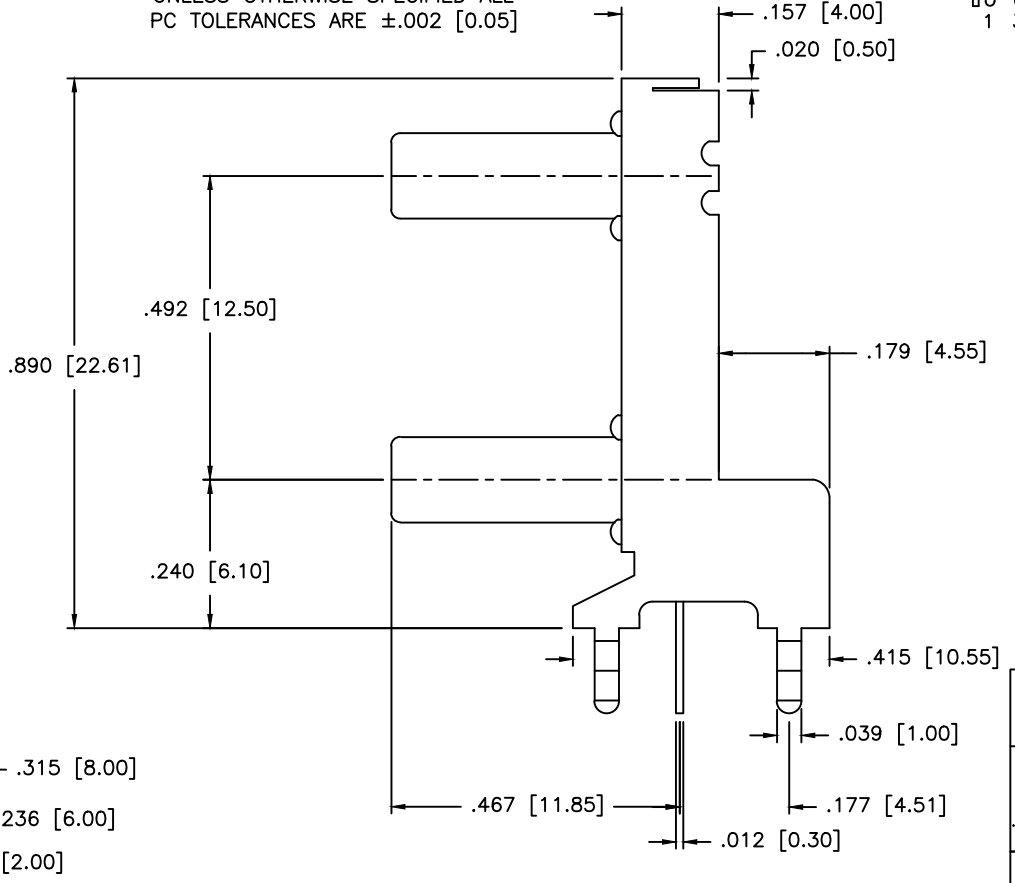
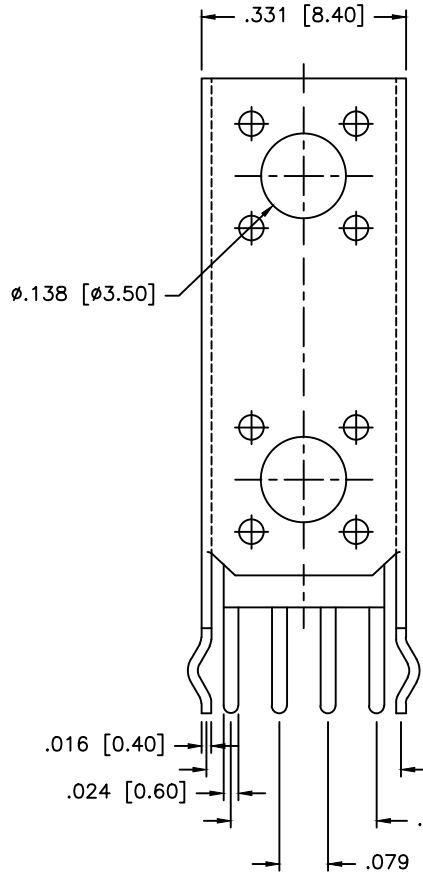
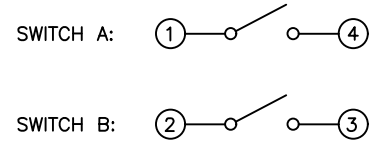
THIS DOCUMENT IS THE PROPERTY OF APEM COMPONENTS AND SHALL NOT BE COPIED, REPRODUCED, DISCLOSED OR USED AS THE BASIS FOR MANUFACTURING OR SALE WITHOUT PERMISSION OF A DULY AUTHORIZED REPRESENTATIVE OF APEM COMPONENTS INC.



PCB LAYOUT
UNLESS OTHERWISE SPECIFIED ALL
PC TOLERANCES ARE $\pm 0.002 [0.05]$



DATE	SYM	REVISION RECORD	DWN.	CK.
1/19/17	B	-		



DESCRIPTION: RIGHT ANGLE, THRU HOLE, TACT SWITCH
 SPECIFICATIONS:
 OPERATING FORCE: 160 \pm 50gf.
 TRAVEL: 0.25mm ± 0.2 mm
 OPERATING LIFE: 100,000 CYCLES
 OPERATION TEMPERATURE RANGE: -20°C TO +70°C.
 STORAGE TEMPERATURE RANGE: -30°C TO +80°C
 VIBRATION TEST: PASSES METHOD 201 MIL-STD-202.
 SHOCK TEST: 30G PER METHOD 213, MIL-STD-202.
 RATING: 50mA AT 12VDC.
 CONTACT RESISTANCE: 100m Ω MAX.
 INSULATION RESISTANCE: 100M Ω MIN.
 DIELECTRIC STRENGTH: 250VAC FOR 1 MINUTE
 CONTACT ARRANGEMENT: 1 POLE 1 THROW.
 MATERIALS:
 COVER / BRACKET: PET FILM, TIN PLATED BRASS, OR STAINLESS STEEL
 CASE: NYLON 66 THERMOPLASTIC COLOR, BLACK
 ACTUATOR: NYLON 66 THERMOPLASTIC COLOR, BLACK
 TERMINAL: BRASS WITH SILVER PLATING
 SOLDERING:
 HAND SOLDERING: 40 WATT IRON AT 320°C FOR 3.5 SEC.
 IR REFLOW SOLDERING: 240°C MAX. FOR 20 SEC.
 WAVE SOLDERING: 255°C MAX. FOR 5 SEC.
 LEAD FREE PROCESS COMPATIBLE
 RoHS COMPLIANT

Q.A. INSPECT. 	83 Neck Rd. Haverhill, MA 01835 Tel: 978-372-1602 Fax: 978-372-3534			DRN: BY: CJD
DESIGNATES CRITICAL DIMENSION	SHEET 1 OF 1	SIZE B	SCALE	CHK. BY: PJD
TOLERANCES (EXCEPT AS NOTED) .XX=±0.02[0.05] .XXX=±0.008[0.20] .XXXX=±0.0008[0.02] ANGLE = ±0.5°	TITLE VERTICAL GANG TACT SWITCH			THIRD ANGLE PROJECTION
DO NOT SCALE DRAWING	DATE 3/8/07	DRAWING NO. MJTP2205D	REV B	